

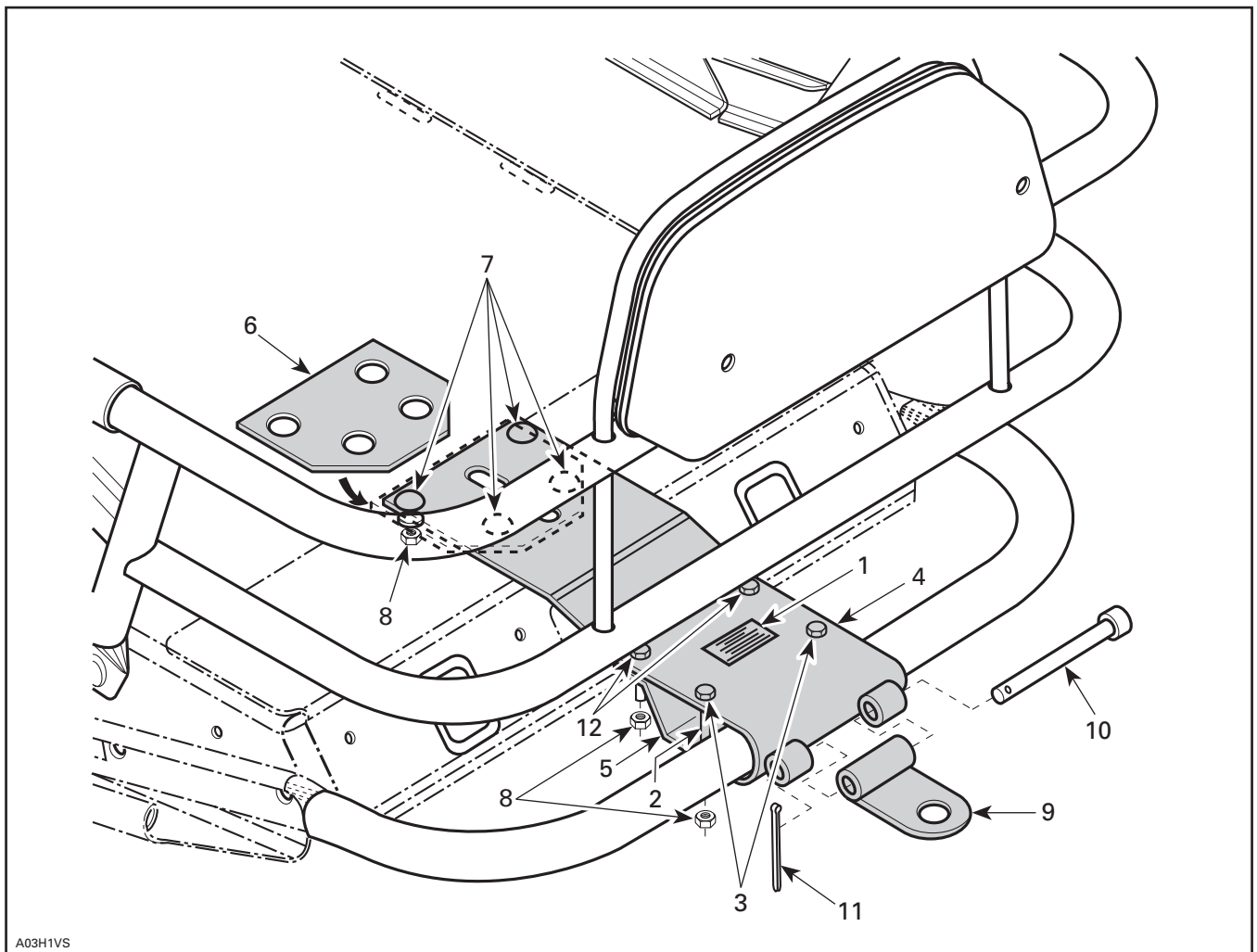


⚠ WARNING

For safety reasons, this kit must be installed by an authorized Ski-Doo® snowmobile dealer. Should removal of a locking device (e.g. lock tabs, self-locking fasteners, etc.) be required when undergoing disassembly/assembly, always replace with a new one. This instruction sheet should be given to the purchaser. This kit is designed for specific applicable models only. It is not recommended for units other than those for which it was sold.

NOTE: Installation time is approximately 0.5 hour.

PARTS TO BE INSTALLED



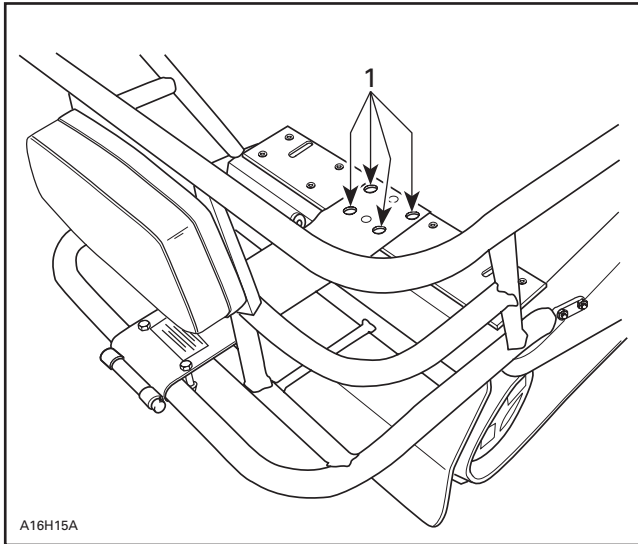
- 1. Label
- 2. Spacer (2)
- 3. Bolt M6 x 50 (2)
- 4. Support
- 5. Reinforcement
- 6. Inner Plate

- 7. Carriage Bolt M6 x 20 (4)
- 8. Stop Nut M6 (8)
- 9. Hitch Plate
- 10. Clevis Pin
- 11. Cotter Pin
- 12. Bolt M6 x 20 (2)

INSTRUCTIONS

Remove seat.

Using the 4 pre-drilled holes in support **no. 4** as guide, drill through tunnel using a 6.5 mm (1/4 in) drill bit. See illustration.



1. Pre-drilled holes

Install inner plate **no. 6**, support **no. 4** and secure with carriage bolts **no. 7** and stop nuts **no. 8**.

Install reinforcement **no. 5**, spacers **no. 2**, and secure with bolts **no. 3**, bolts **no. 12** and stop nuts **no. 8**.

Install hitch plate **no. 9**, clevis pin **no. 10**, and secure with cotter pin **no. 11**.

NOTE: Make sure hitch plate swings freely on hitch bracket.

Affix warning label to hitch.

NOTE: A hook-type hitch kit (P/N 861 722 500) is available for converting the present kit.

861 759 300

1.	414 998 500	Label	Étiquette
2.	517 191 700	Spacer (2)	Entretoise (2)
3.	207 065 044	Bolt M6 x 50 (2)	Boulon M6 x 50 (2)
4.	517 275 500	Support	Support
5.	517 223 500	Reinforcement	Renfort
6.	517 256 100	Inner Plate	Plaque intérieure
7.	207 762 044	Carriage Bolt M6 x 20 (4)	Vis de carrosserie M6 x 20 (4)
8.	233 261 414	Stop Nut M6 (8)	Écrou d'arrêt M6 (8)
9.	517 008 700	Hitch Plate	Plaque d'attelage
10.	505 001 700	Clevis Pin	Axe de chape
11.	371 800 200	Cotter Pin	Goupille fendue
12.	207 162 044	Bolt M6 x 20 (2)	Boulon M6 x 20 (2)