



⚠ WARNING

For safety reasons, this kit must be installed by an authorized Ski-Doo® snowmobile dealer. Should removal of a locking device (e.g. lock tabs, self-locking fasteners, etc.) be required when undergoing disassembly/assembly, always replace with a new one. This instruction sheet should be given to the purchaser. This kit is designed for specific applicable models only. It is not recommended for units other than those for which it was sold.

NOTE: Installation time is approximately **0.5** hour.

PARTS TO BE INSTALLED

Kit, (not illustrated), consists of:

1. Mirror Assembly (RH) (P/N 517 302 067)
2. Mirror Assembly (LH) (P/N 517 302 068)

NOTE: This mirror kit is a CK3 type mirror kit to be used on CK3 and ZX series models.

INSTRUCTIONS

CK3 Series

Use template identified for CK3 series at the end of the present instruction sheet to locate and drill the two 5 mm (13/64 in) holes.

Remove flat washers and elastic stop nuts from underneath mirror assembly.

Install mirror and secure from underneath with flat washers and elastic stop nuts.

Repeat procedure for both sides.

ZX Series

Use template identified for ZX series at the end of the present instruction sheet to locate and drill the two 5 mm (13/64 in) holes.

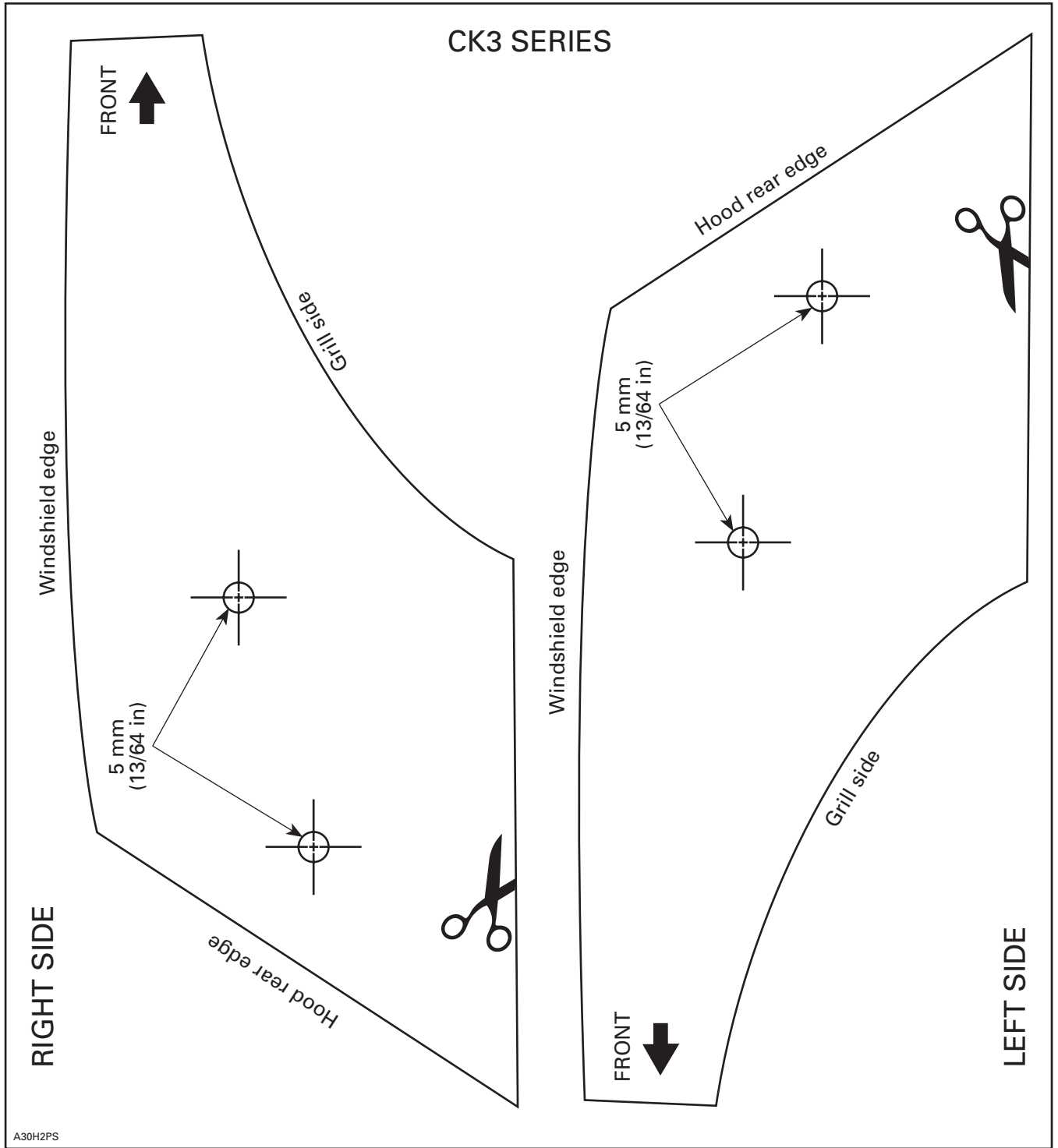
Remove flat washers and elastic stop nuts from underneath mirror assembly.

Install mirror and secure from underneath with flat washers and elastic stop nuts.

Repeat procedure for both sides.

THIS PAGE IS
PURPOSELY BLANK

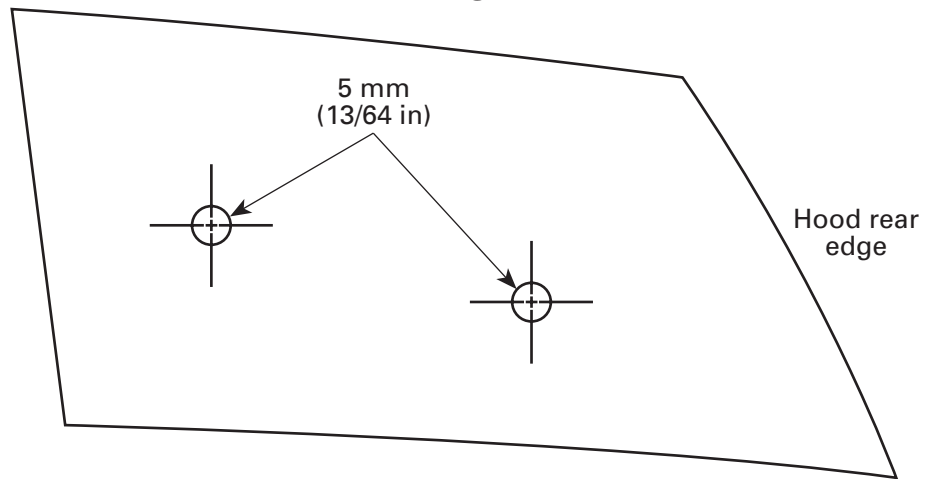
TEMPLATES



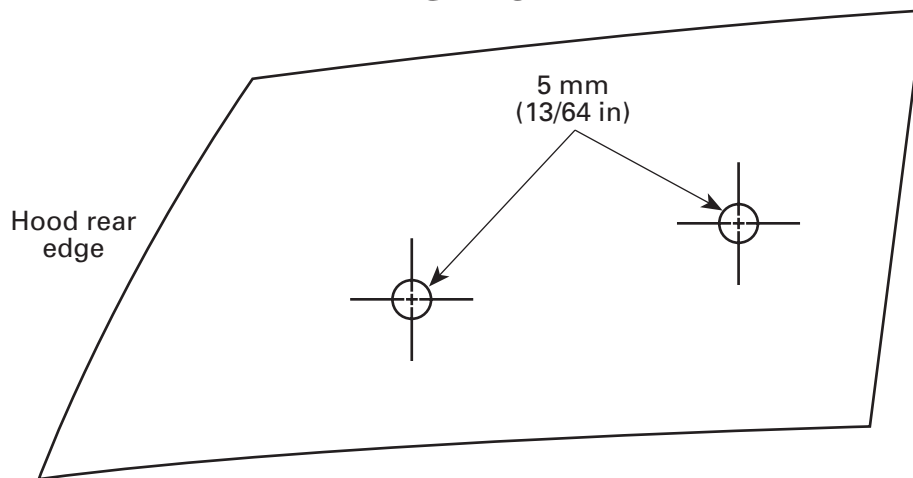
THIS PAGE IS
PURPOSELY BLANK

ZX SERIES

LEFT SIDE



RIGHT SIDE



A32H16S

861 772 300

1.	517 302 067	Mirror Assembly RH	Rétroiseur droit (complet)
2.	517 302 068	Mirror Assembly LH	Rétroiseur gauche (complet)