



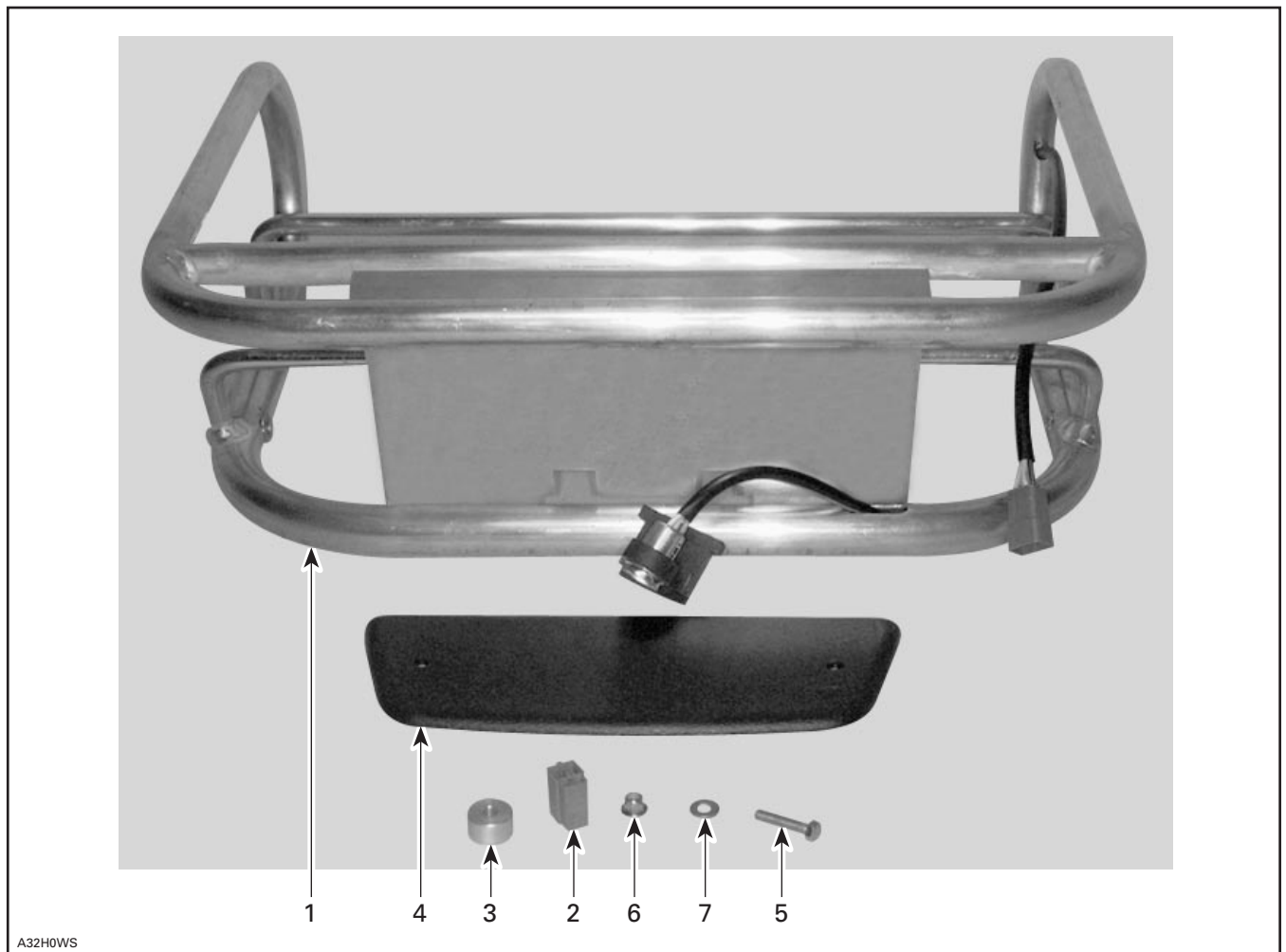
⚠ WARNING

For safety reasons, this kit must be installed by an authorized Ski-Doo® snowmobile dealer. Should removal of a locking device (e.g. lock tabs, self-locking fasteners, etc.) be required when undergoing disassembly/assembly, always replace with a new one. This instruction sheet should be given to the purchaser. This kit is designed for specific applicable models only. It is not recommended for units other than those for which it was sold.

NOTE: Installation time is approximately 0.6 hour.

PARTS TO BE INSTALLED

CAUTION: This optional luggage rack maximum carrying capacity is 13.6 kg (30 lb).



- | | |
|--------------------------|--|
| 1. Luggage Rack Assembly | 5. Hexagonal Screw (2) |
| 2. Male Housing | 6. Flanged Elastic Nut (2) |
| 3. Spacer (2) | 7. Flat Washer (2) |
| 4. Cover | 8. Flanged Hexagonal Screw (4) (not illustrated) |

PROCEDURE

Remove side moldings and set aside.

Remove rear bumper, discard bolts.

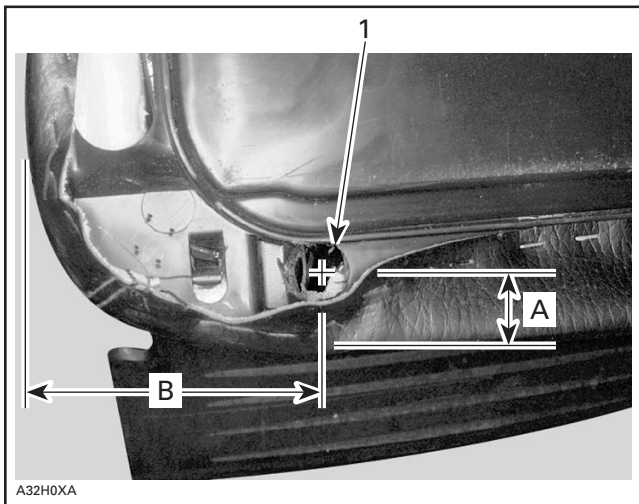
Remove tail/stop lamp lens and tail/stop lamp housing, disconnect tail/stop lamp connector.

Pull out terminals from existing male housing and insert them in supplied male housing **no. 2**, making sure to respect wire color codes.

Remove seat to undo a section of cover on right rear lower corner.

Remove staples ± 102 mm in length (4 in) from right rear lower corner toward front and also ± 102 mm in length (4 in) from right rear lower corner toward left side.

Drill a 25 mm (1 in) hole to pass luggage rack wiring harness, refer to following illustration.



1. Drill hole here
- A. 25 mm (1 in)
- B. 90 mm (3-1/2 in)

Install luggage rack assembly **no. 1** and secure in place with flanged hexagonal screws **no. 8**.

Staple seat cover and reinstall seat loosely.

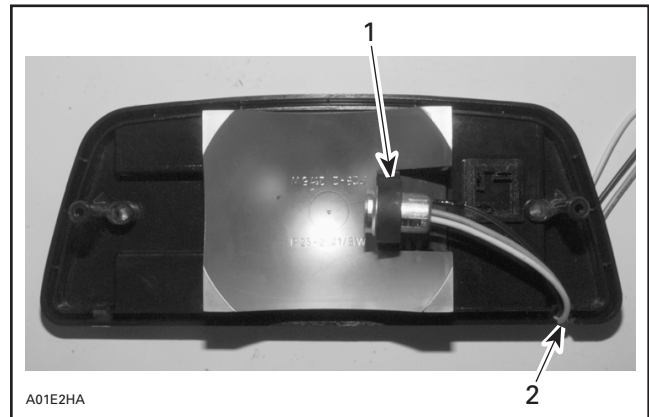
Route female housing end of harness underneath seat at lower corner indentation and in previously drilled hole and connect to male housing.

Secure seat properly in its place.

Install spacers **no. 3** and secure cover **no. 4** in place with previously removed housing screws.

Remove bulb, keep it. Remove socket in tail/stop lamp and all 3 short wires.

Cut tail/stop lamp plastic housing at right lower corner to route wiring. Refer to following illustration.



1. New socket installed
2. Route wires here

Install tail/stop lamp housing onto rack using hexagonal screws **no. 5**, flat washers **no. 7** and flanged elastic nuts **no. 6**. Note that screw head goes outside with flat washer and flanged elastic nut inside.

Route socket end of harness and secure socket with reflector in place in housing.

Insert bulb in socket.

Install lens, secure with kept screws.

Reinstall moldings; cut to fit rack if required.

Verify tail/stop lamp operation.

Installation is now complete.

861 773 300

1.	517 302 399	Luggage Rack Assembly	Porte-bagages (complet)
2.	409 204 200	Male Housing	Logement de raccord mâle
3.	517 223 600	Spacer (2)	Entretoise (2)
4.	510 003 846	Cover	Couvercle
5.	207 152 544	Hexagonal Screw (2)	Vis hexagonale (2)
6.	233 251 414	Flanged Elastic Nut (2)	Écrou élastique à épaulement (2)
7.	391 301 700	Flat Washer (2)	Rondelle plate (2)
8.	207 581 646	Flanged Hexagonal Screw (4) (not illustrated)	Vis hexagonale à épaulement (4) (non illustrée)