

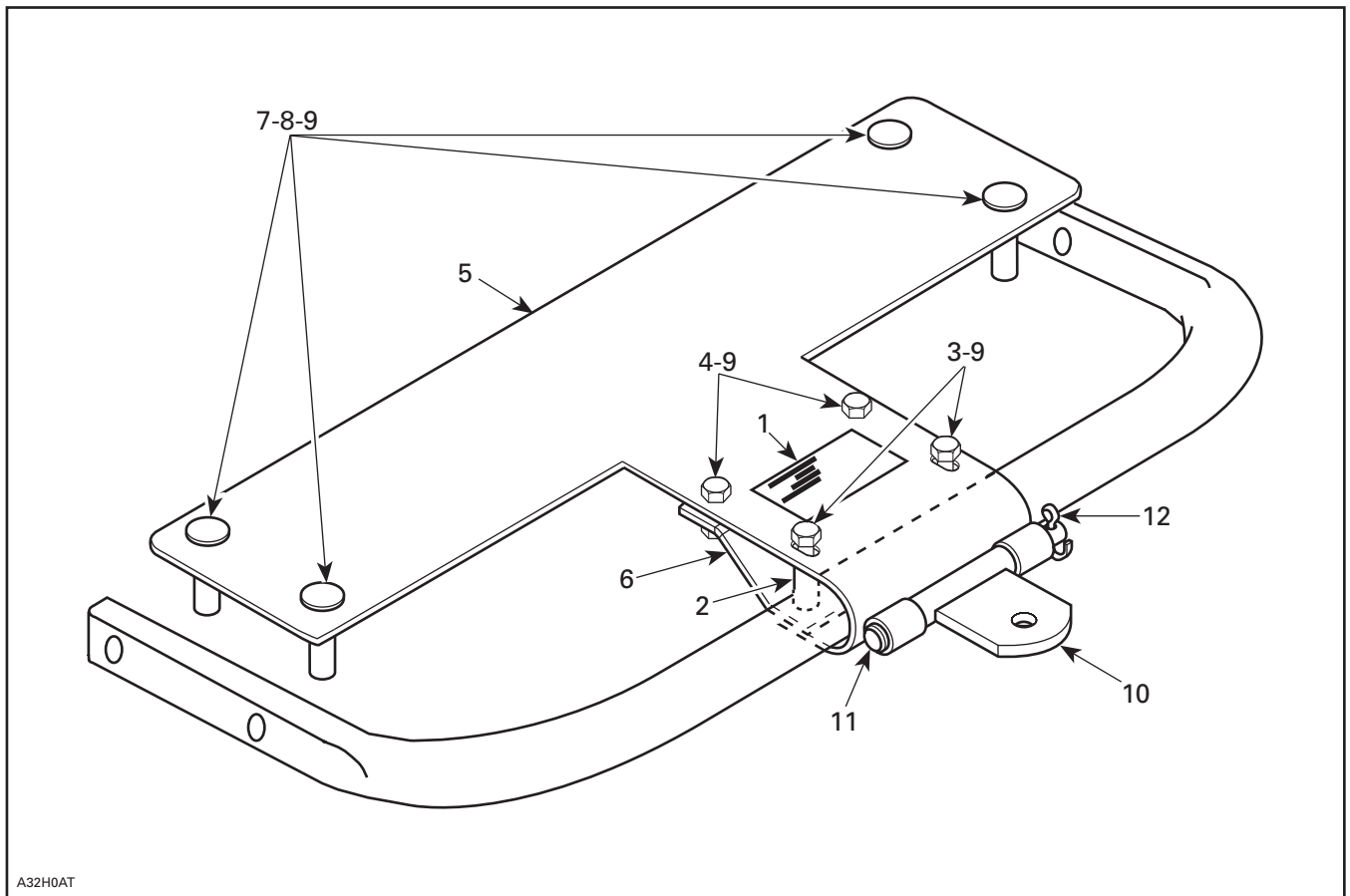


⚠ WARNING

For safety reasons, this kit must be installed by an authorized Ski-Doo® snowmobile dealer. Should removal of a locking device (e.g. lock tabs, self-locking fasteners, etc.) be required when undergoing disassembly/assembly, always replace with a new one. This instruction sheet should be given to the purchaser. This kit is designed for specific applicable models only. It is not recommended for units other than those for which it was sold.

NOTE: Installation time is approximately 0.5 hour.

PARTS TO BE INSTALLED

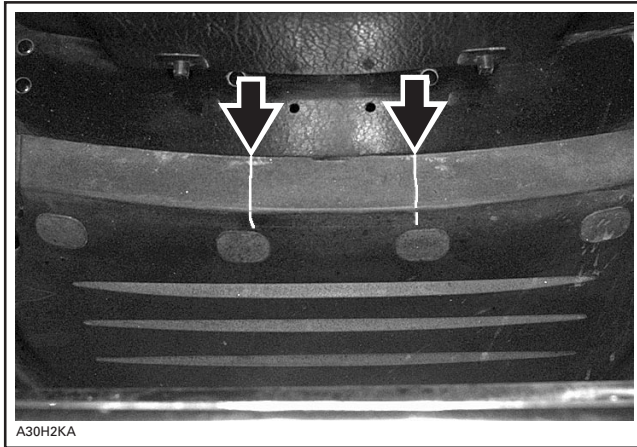


- 1. Label
- 2. Spacer (2)
- 3. Bolt M6 x 50 (2)
- 4. Bolt M6 x 20 (2)
- 5. Support
- 6. Reinforcement Plate

- 7. Carriage Bolt M6 x 20 (4)
- 8. Flat Washer (4)
- 9. Flanged Elastic Nut M6 (8)
- 10. Hitch Plate
- 11. Clevis Pin
- 12. Cotter Pin

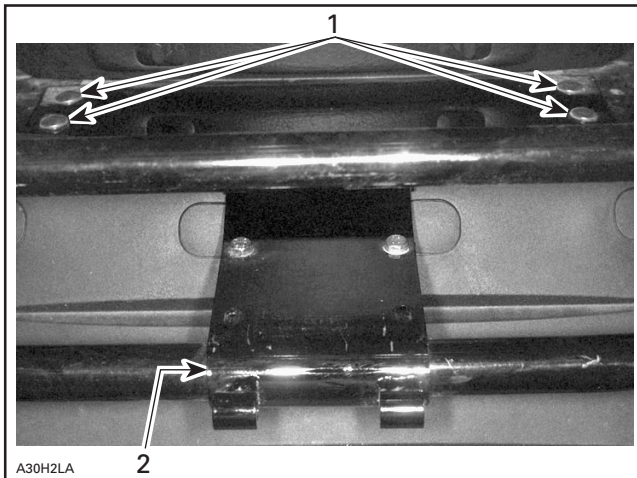
PROCEDURE

Cut rear snow guard along inside guidelines and remove plastic tab to provide hitch opening.



CUT ALONG THESE MARKS

Using support holes as guide, drill through the tunnel using a 6.5 mm (1/4 in) drill bit. To position support correctly, make the support hang on bumper and lay in snow guard opening. See photo.



TYPICAL

1. Pre-drilled holes
2. Bumper passes through the support hook

CAUTION: Care must be taken to drill only in designated areas. Damage to the heat exchangers could occur if drilling outside this area.

Install reinforcement plate no. 6 with support no. 5, spacers no. 2, bolts no. 3 and bolts no. 4. Secure with nuts no. 9 and tighten.

Secure support no. 5 with carriage bolts no. 7, flat washers no. 8 and nuts no. 9. Tighten bolts from 4 to 6 N•m (35 to 53 lbf•in).

Install hitch plate no. 10 with clevis pin no. 11 and cotter pin no. 12.

NOTE: Make sure hitch plate swings freely on hitch bracket.

Affix warning label no. 1 to hitch.

861 773 000

1.	414 998 500	Label	Étiquette
2.	517 191 700	Spacer (2)	Entretoise (2)
3.	207 065 044	Bolt M6 x 50 (2)	Boulon M6 x 50 (2)
4.	207 162 044	Bolt M6 x 20 (2)	Boulon M6 x 20 (2)
5.	511 000 065	Support	Support
6.	517 223 500	Reinforcement Plate	Plaque de renfort
7.	207 762 044	Carriage Bolt M6 x 20 (4)	Boulon de carrosserie M6 x 20 (4)
8.	224 061 201	Flat Washer (4)	Rondelle plate (4)
9.	233 261 414	Flanged Elastic Nut M6 (8)	Écrou d'arrêt élastique M6 (8)
10.	517 008 700	Hitch Plate	Plaque d'attelage
11.	505 001 700	Clevis Pin	Axe de chape
12.	371 800 200	Cotter Pin	Goupille fendue