



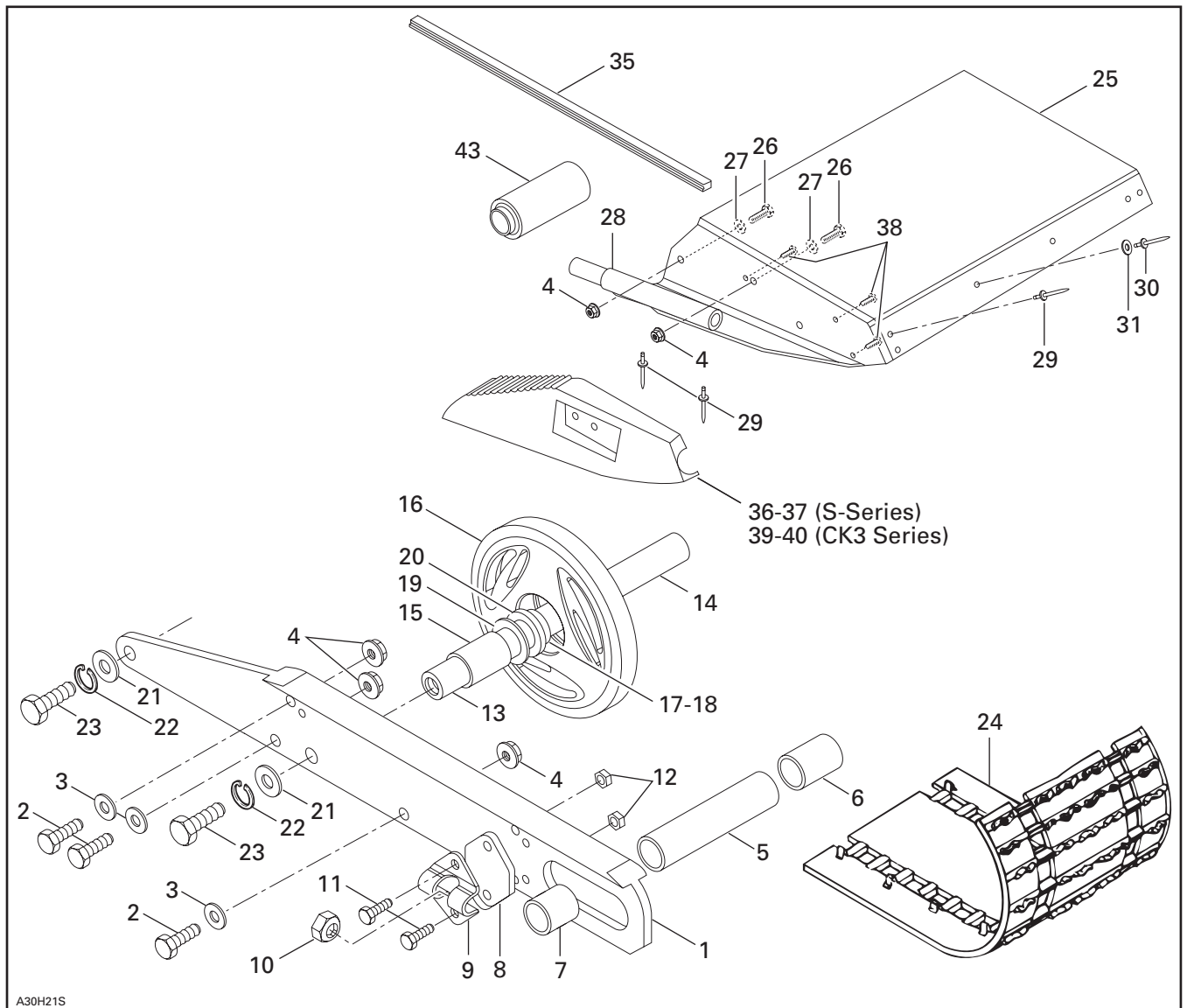
LONG TRACK EXTENSION KIT (SC-10)
(P/N 861 770 700)

◆ WARNING

For safety reasons, this kit must be installed by an authorized Bombardier snowmobile dealer. Should removal of a locking device (e.g. lock tabs, self-locking fasteners, etc.) be required when undergoing disassembly/assembly, always replace with a new one. This instruction sheet should be given to the purchaser. This kit is designed for specific applicable models only. It is not recommended for units other than those for which it was sold.

NOTE: Installation time is approximately 3.0 hours.

PARTS TO BE INSTALLED



A30H21S

1. Rail Extension (2)
2. Bolt M8 x 30 (6)
3. Flat Washer M8 (2)
4. Flanged Elastic Nut M8 (10)
5. Long Spacer
6. Short Spacer
7. Exterior Spacer (2)
8. Spacer Plate (2)
9. Tensioner (2)
10. Elastic Hexagonal Nut M10 (2)
11. Hexagonal Bolt M6 x 25 (4)
12. Elastic Hexagonal Nut M6 (4)
13. Axle
14. Spacer
15. Spacer (2)
16. Aluminum Bonded Wheel (2)
17. Ball Bearing (2)
18. Circlip (2)
19. Washer (4)
20. Cushion (4)
21. Flat Washer M10 (4)
22. Curved Lock Washer M10 (4)
23. Hexagonal Bolt M10 x 45 (2)
24. Track
25. Tunnel Extension
26. Hexagonal Bolt M8 x 20 (4)
27. Flat Washer M8 (4)
28. Tube (2)
29. Pop Rivet (24)
30. Pop Rivet Black (4)
31. Flat Washer (4)
32. Hexagonal Bolt M10 x 35 (2)
33. Long Track Decal (not illustrated)
34. Warning Label (not illustrated)
35. Radiator Protector (2)
36. Moulding (right side)
37. Moulding (left side)
38. Tapping Screw 12 x 3/4 (6)
39. Moulding (right side)
40. Moulding (left side)
41. Reflector (right side) not illustrated
42. Reflector (left side) not illustrated
43. Bushing (2)

VEHICLE PREPARATION

Tunnel and Body

NOTE: Refer to your *Ski-Doo Shop Manual* for additional information.


CAUTION

Apply Loctite 271 (P/N 413 707 400) on fasteners when reassembling and tighten with proper torques.

Raise rear of vehicle and block safely.

Remove spring ends from adjusting cams as follows:

Slightly turn adjusting cam to expose spring end. Use spring installer tool (P/N 529 005 000), remove spring end from adjusting cam to remove spring tension.

Remove rear suspension and track.

Remove seat and rear mouldings.

Lower vehicle and support safely. Remove rear bumper, snow guard and snow guard reinforcement (on some models).

Discard track, rear mouldings and screws.

Remove reflectors and screws, **DO NOT DISCARD**, they will be reused.

Models with Standard Rivets

Use a 5 mm (13/64 in) drill bit and drill out rivets retaining rear cap then remove it from tunnel.

Models with Self-Piercing Rivets

Grind the rivet end (side opposite of head) then removed with a punch. For tight areas, drill rivets with a 5 mm (13/64 in) Supertanium™ drill bit (P/N 529 031 800).

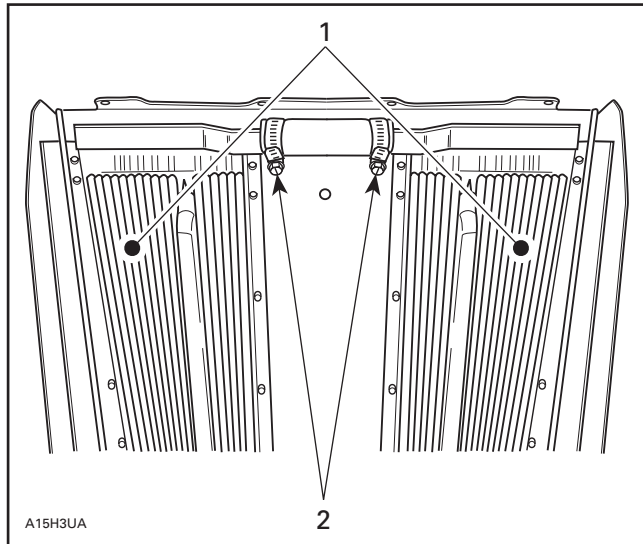
NOTE: Always place a backing plate surrounding the rivet head prior to punching out rivet. Omitting to do so may damage the aluminum area surrounding the rivet hole.

Bend the rear edge of the tunnel upward in order to properly install rivets for tunnel extension. To do so, use an iron piece as anvil and hammer the rear edge flat.

PROCEDURE

For models with two heat exchangers, from underneath tunnel, ensure that the gear clamp screw heads securing the hose between the heat exchangers are pointing toward the front of vehicle. Reposition as necessary. To avoid disconnecting hose, unscrew collar completely, remove and rotate. Reinstall and tighten firmly. This is necessary to properly install the heat exchanger protectors.

Install heat exchanger protectors no. 35.

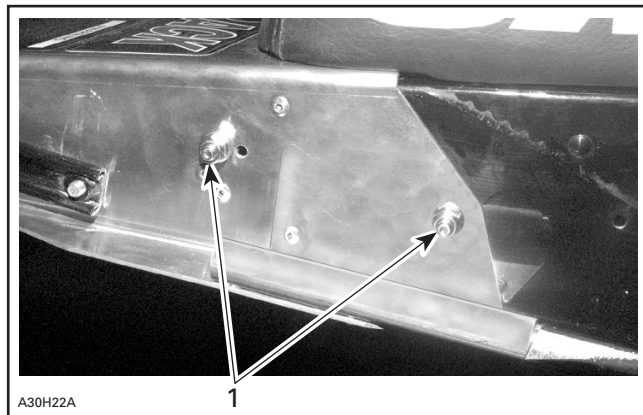


TYPICAL — MODELS WITH TWO HEAT EXCHANGERS

1. Heat exchangers
2. Screw heads must be facing this direction

Tunnel Extension Installation

Position tunnel extension no. 25 over tunnel. Screw extension on sides of tunnel with bolts no. 26, flat washers no. 27 and flanged elastic nuts no. 4. From inside, insert bolts through extension and tunnel wall holes.



1. M8 bolts, washers and nuts

Using a straight edge, ensure that extension is parallel with tunnel on each side. Reposition parts as necessary.

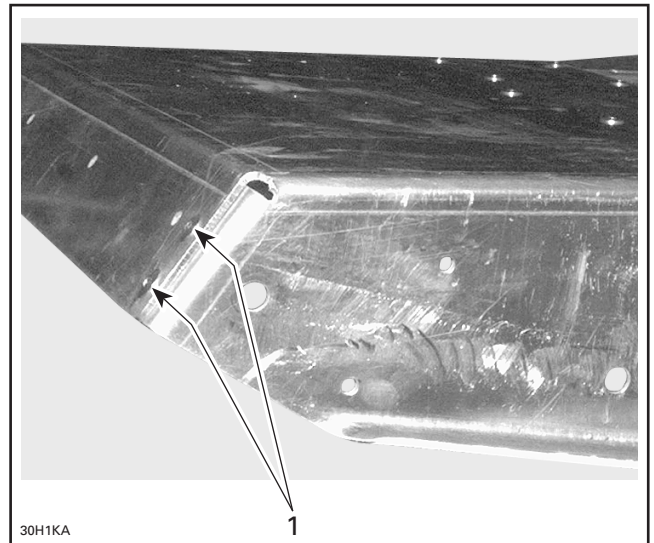


MAKE SURE TUNNEL EXTENSION IS PARALLEL TO TUNNEL

Tighten nuts on sides of tunnel extension.

Using tunnel holes as a guide, drill holes in tunnel extension with a 5 mm (13/64 in) drill bit.

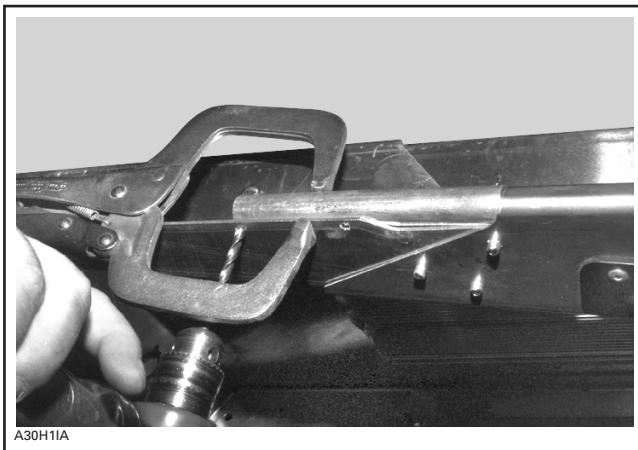
Remove burrs then rivet extension to tunnel using rivets no. 29. Drill 2 holes in each rear corner of extension and rivet them.



1. Drill two holes each side and install rivets

Using extension holes as a guide, drill holes in footboard and rivet tunnel extension to footboard with rivets no. 29. Use Vise-grip pliers to secure tunnel extension while drilling.

Insert tubes no. 28 into the footstep reinforcements and drill them facing the holes of tunnel extension edge. Secure with rivets.



Reinstall rear bumper using existing fasteners.

Reuse reflectors and screws. On S-Series models, install new rear mouldings **no. 36** and **no. 37** using new self-tapping screws **no. 38**. On CK-3 series and ZX series models, install new rear mouldings **no. 39** and **no. 40**, sticking in their respective reflector **no. 41** and **no. 42**.

NOTE: Cut plastic of moulding around tube **no. 28** for perfect fit.



MOULDING TRIMMED FOR PERFECT FIT

Reinstall seat.

Install new track **no. 24** paying close attention to the direction of rotation.

Refill chaincase with Bombardier synthetic chaincase oil (P/N 413 802 800).

Rear Suspension

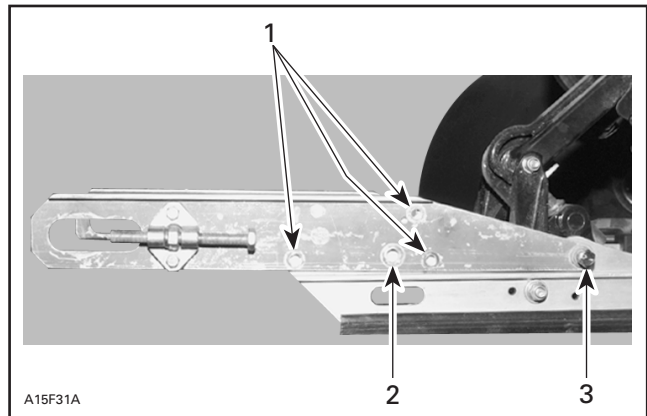
Remove rear axle and components.

Discard the 4 spacers on rear axle.

Remove tensioner and adjuster bolt. Bolt will be reinstalled on rail extension with new tensioner.

Remove the two bolts holding rear arm lower shaft to rails. Position rail extensions **no. 1** outside of rail, one on each side. Enlarge rail hole facing front hole of rail extension to 10 mm (13/32 in), if necessary. Align lower shaft with this hole and secure with new bolts **no. 32**, using new washers **no. 21**, lock washers **no. 22** and Loctite 271.

Using a 8 mm (5/16 in) and a 10 mm (13/32 in) drill bits, drill holes in rail using extension rail as a guide. Drill the smallest holes first.



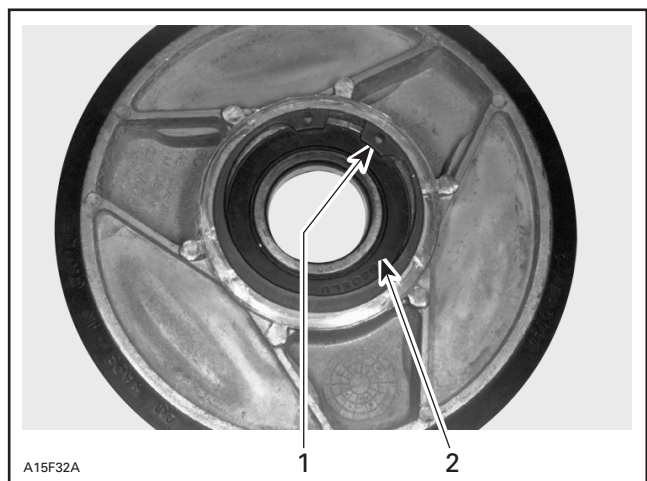
1. Drill 8 mm holes (5/16 in)
2. Drill 10 mm holes (13/32 in)
3. Use new M10 x 35 bolts

Secure extension to rail with bolts **no. 2**, washers **no. 3** and nuts **no. 4**, then tighten.

Install spacer plate **no. 8** and tensioner **no. 9** onto extension rails. Secure with screws **no. 11** and nuts **no. 12**.

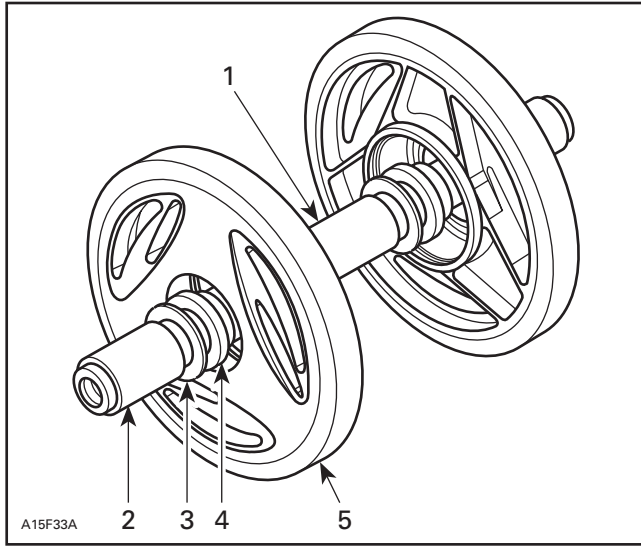
Install tension adjustment bolts and secure with nuts **no. 10**.

Install ball bearings **no. 17** into bonded wheels **no. 16**, retain bearings using circlips **no. 18**.



1. Circlips
2. Ball bearing

Install axle **no. 13**, spacer **no. 14**, washers **no. 19**, one cushion **no. 20** on both sides of each bonded wheel **no. 16** and spacers **no. 15** as per the following illustration.



1. Center spacer **no. 14**
2. Short spacers **no. 15**
3. Washers **no. 19**
4. Cushions **no. 20**
5. Bonded wheel, bearing and circlip

Install center axle assy in front of rear axle location. Secure with M10 bolts **no. 23**, lock washers **no. 22** and flat washers **no. 21**.

Reinstall rear axle with new spacers. Long spacer **no. 5**, short spacer **no. 6** and exterior spacers **no. 7**. Reuse other components. Apply Loctite 271 (red) to bolt threads.

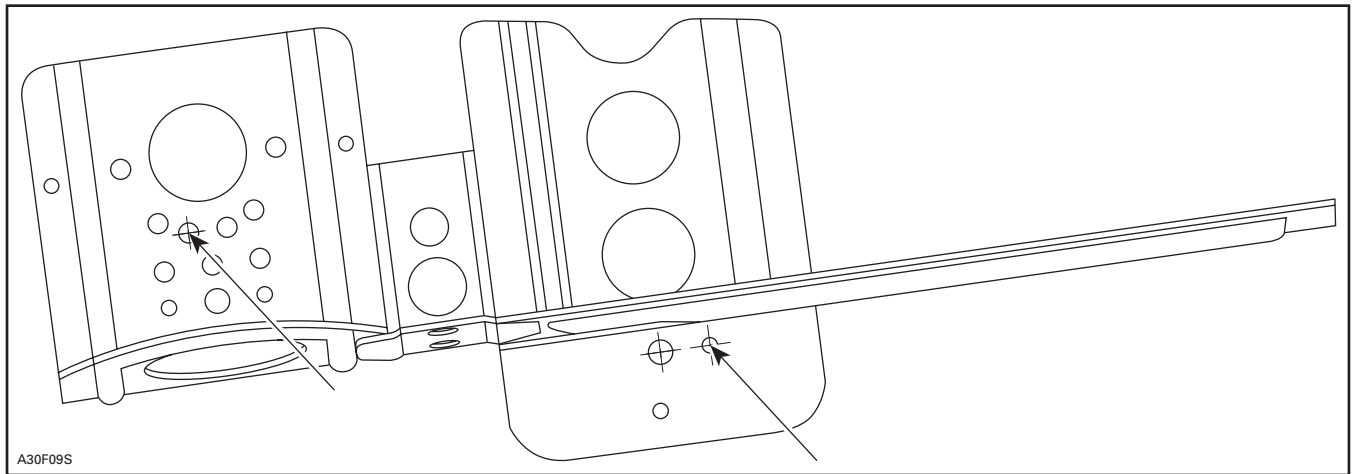
Ensure to reinstall thin shims to each side of rails. Remove locking rings and top idler wheels.

Remove existing plastic spring bushings (one on each side), and replace with new bushings **no. 43**.

Reinstall spring end in cam using tool and adjust cam.

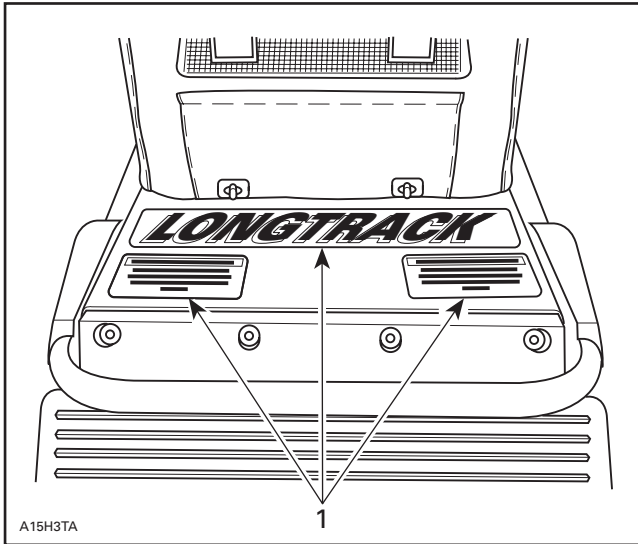
Reinstall idler wheels and locking rings. Tighten set screws.

Reinstall rear suspension in tunnel. Drill new holes as per following drawing. Pay attention to safely secure suspension attachments.



USE THESE HOLES TO REINSTALL SUSPENSION

Apply (LONGTRACK) extension decal **no. 33** and warning label **no. 34** on top of tunnel extension.




1. Decals

Install snow guard reinforcement (on some models) and secure with new rivets **no. 30** and flat washers **no. 31**.

Perform chain tension adjustment as well as track tension and alignment.

Test snowmobile.

 WARNING
Do not carry passengers or cargo in this area.

861 770 700

1.	503 172 000	Rail Extension (2)	Rallonge de porte-glissière (2)
2.	207 183 044	Bolt M8 x 30 (6)	Boulon M8 x 30 (6)
3.	234 081 410	Flat Washer M8 (6)	Rondelle plate M8 (6)
4.	233 281 414	Flanged Elastic Nut M8 (10)	Écrou d'arrêt élastique à épaulement M8 (10)
5.	503 156 700	Long Spacer	Entretoise (longue)
6.	503 156 800	Short Spacer	Entretoise (courte)
7.	503 172 100	Exterior Spacer (2)	Entretoise (extérieure) (2)
8.	503 156 500	Spacer Plate (2)	Plaque d'écartement (2)
9.	503 155 300	Tensioner (2)	Tendeur (2)
10.	233 601 416	Elastic Hexagonal Nut M10 (2)	Écrou d'arrêt élastique hexagonal M10 (2)
11.	207 162 544	Hexagonal Bolt M6 x 25 (4)	Boulon hexagonal M6 x 25 (4)
12.	232 561 414	Elastic Hexagonal Nut M6 (4)	Écrou d'arrêt élastique hexagonal M6 (4)
13.	503 152 800	Axle	Essieu
14.	503 153 100	Spacer	Entretoise
15.	503 151 000	Spacer (2)	Entretoise (2)
16.	570 066 622	Aluminum Bonded Wheel (2)	Roue en aluminium (2)
17.	405 404 500	Ball Bearing (2)	Roulement à billes (2)
18.	371 901 700	Circlip (2)	Circlip (2)
19.	503 154 000	Washer (4)	Rondelle (4)
20.	415 112 700	Cushion (4)	Coussinet (4)
21.	234 001 410	Flat Washer M10 (4)	Rondelle plate M10 (4)
22.	234 100 602	Curved Lock Washer M10 (4)	Rondelle-frein cintrée M10 (4)
23.	222 004 565	Hexagonal Bolt M10 x 45 (2)	Boulon hexagonal M10 x 45 (2)
24.	570 211 100	Track	Chenille
25.	503 172 300	Tunnel Extension	Rallonge de tunnel
26.	207 182 044	Hexagonal Bolt M8 x 20 (4)	Boulon hexagonal M8 x 20 (4)
27.	234 081 410	Flat Washer (4)	Rondelle plate (4)
28.	503 172 600	Tube (2)	Tube (2)
29.	390 402 200	Pop Rivet (24)	Rivet (24)
30.	390 909 600	Pop Rivet Black (4)	Rivet noir (4)
31.	517 225 900	Flat Washer (4)	Rondelle plate (4)
32.	207 183 546	Hexagonal Bolt M10 x 35 (2)	Boulon hexagonal M10 x 35 (2)
33.	414 936 500	Long Track Decal (not illustrated)	Autocollant de chenille longue (non illustré)

861 770 700

34.	414 936 600	Warning Label (not illustrated)	Étiquette d'avertissement (non illustré)
35.	415 012 300	Radiator Protector (2)	Protecteur de radiateur (2)
36.	572 049 500	Moulding (right side)	Enjoliveur (côté droit)
37.	572 049 400	Moulding (left side)	Enjoliveur (côté gauche)
38.	365 901 100	Tapping Screw 12 x 3/4 (6)	Vis autotaraudeuse 12 x 3/4 (6)
39.	572 097 300	Moulding (right side)	Enjoliveur (côté droit)
40.	572 097 400	Moulding (left side)	Enjoliveur (côté gauche)
41.	415 056 000	Reflector (right side) not illustrated	Réflecteur (côté droit) non illustré
42.	415 056 001	Reflector (left side) not illustrated	Réflecteur (côté gauche) non illustré
43.	572 086 100	Bushing (2)	Douille (2)