



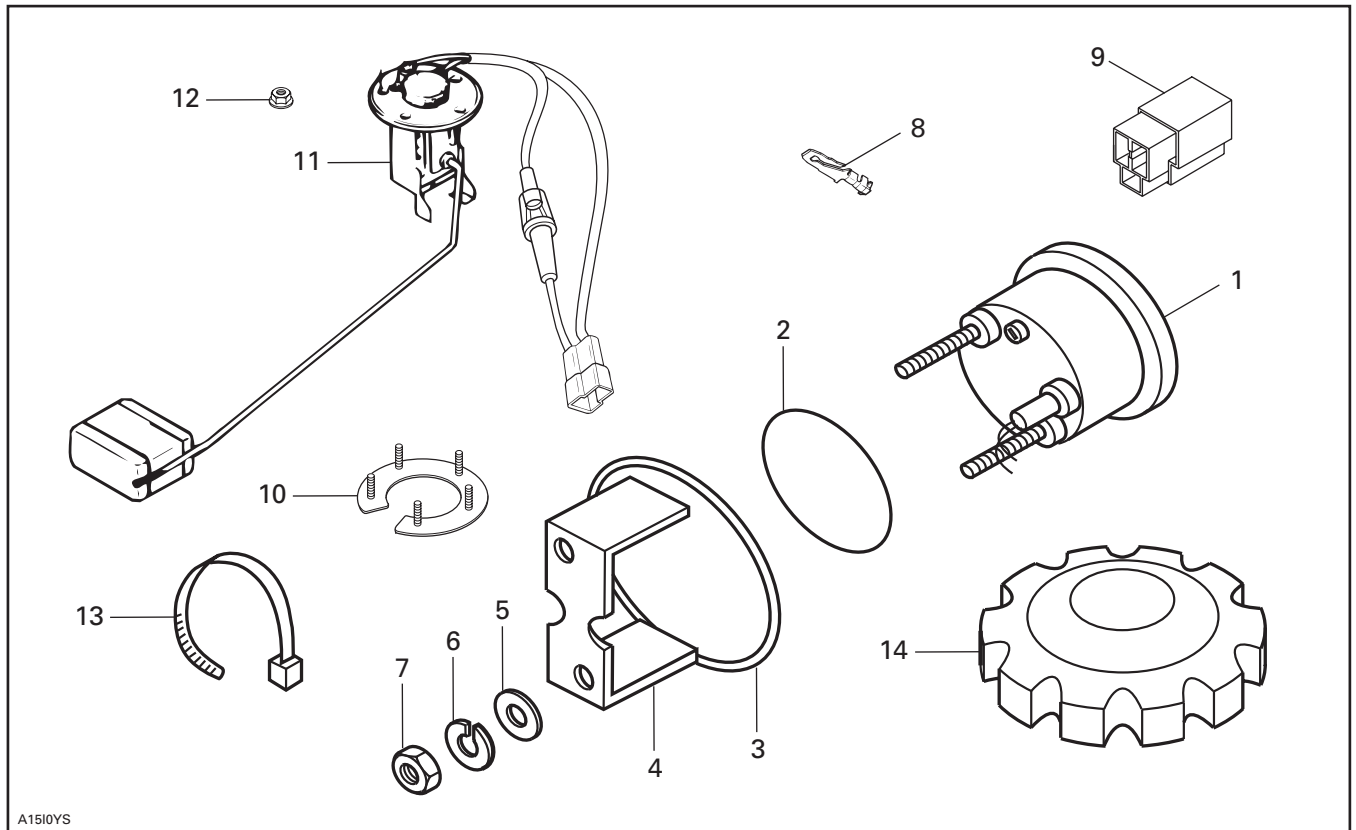
**FUEL GAUGE KIT  
(P/N 860 702 600)**

**◆ WARNING**

For safety reasons, this kit must be installed by an authorized Bombardier snowmobile dealer. Should removal of a locking device be required when undergoing disassembly/assembly, always replace with a new one. This instruction sheet should be given to the purchaser. This kit is designed for specific applicable models only. It is not recommended for units other than those for which it was sold.

NOTE: Installation time is approximately 1.0 hour.

**PARTS TO BE INSTALLED**



- |                    |                             |
|--------------------|-----------------------------|
| 1. Fuel Gauge      | 8. Male Terminal (3)        |
| 2. Gauge Packing   | 9. 3-connector Male Housing |
| 3. Formed Washer   | 10. Float Support           |
| 4. Gauge Holder    | 11. Fuel Sensor             |
| 5. Flat Washer (2) | 12. Flanged Elastic Nut (5) |
| 6. Lock Washer (2) | 13. Locking Tie (2)         |
| 7. Nut (2)         | 14. Fuel Tank Cap           |

# INSTRUCTIONS

## Fuel Sensor

Disconnect battery (if equipped).

### ◆ WARNING

Always disconnect battery cables exactly in the specified order. Disconnect **BLACK** negative ground cable first, then **RED** positive cable. Electrolyte or fuel vapors can be present.

Remove seat. Disconnect connector housing between fuel tank and seat.

Drain fuel tank completely.

Remove tank from vehicle.

Using a 43 mm (1-11/16 in) hole saw cut fuel sensor hole **using the dot as center guide**.

**NOTE:** Put a small dab of grease on drill bit to minimize the quantity of particles from falling into fuel tank.

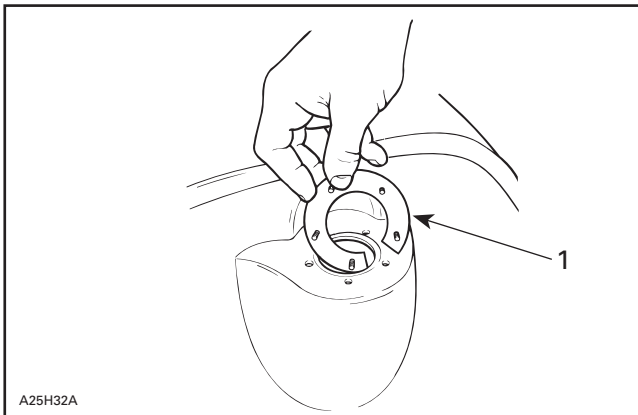
Using a 4.2 mm (11/64 in) drill bit, drill the 5 sensor retaining screw holes using dots as a center guide.

Thoroughly clean fuel tank.

From inside tank, install float support **no. 10**.

**NOTE:** Float support has a one way positioning only.

Install gasket and fuel sensor **no. 11** from exterior.



1. Float support

Secure with flanged elastic nuts **no. 12**, initially torque to 1 N•m (8 lbf•in) then finalize torque in criss-cross sequence to 2.5 N•m (22 lbf•in).

Properly reinstall fuel tank. Connect sensor harness and secure with locking tie **no. 13**. Do not reinstall seat yet.

## Electric Fuel Gauge

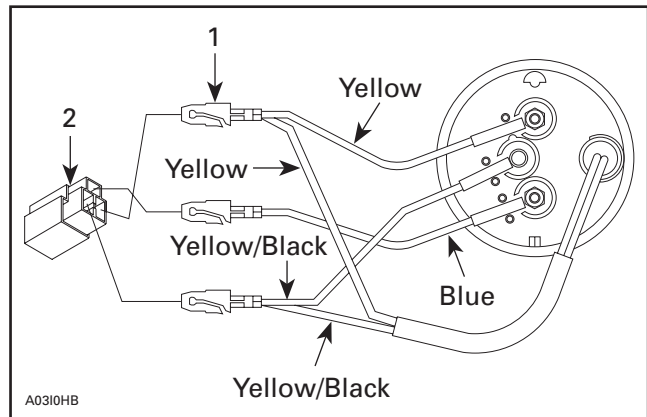
Remove air intake plate from underneath hood.

Position template (found on the last page of this document) over RH side of dashboard plate to locate center of hole; cut a 63.5 mm (2.5 in) hole in dashboard plate, using a hole saw.

### ▼ CAUTION

Ensure there are no wires behind dashboard that might be damaged.

Install male terminals **no. 8** on gauge wires and position in housing **no. 9** as per following illustration.



1. Male connector  
2. 3-connector housing

Install gauge packing **no. 2** on fuel gauge **no. 1** then install into dashboard.

Install formed washer **no. 3** then gauge holder **no. 4**.

Install flat washers **no. 5**, lock washers **no. 6** then nuts **no. 7**.

Connect housings.

Secure wire harness with a locking tie **no. 13**.

Reinstall air intake plate.

Connect battery cables.

### ◆ WARNING

Connect **RED** positive cable **FIRST**, then **BLACK** negative cable.

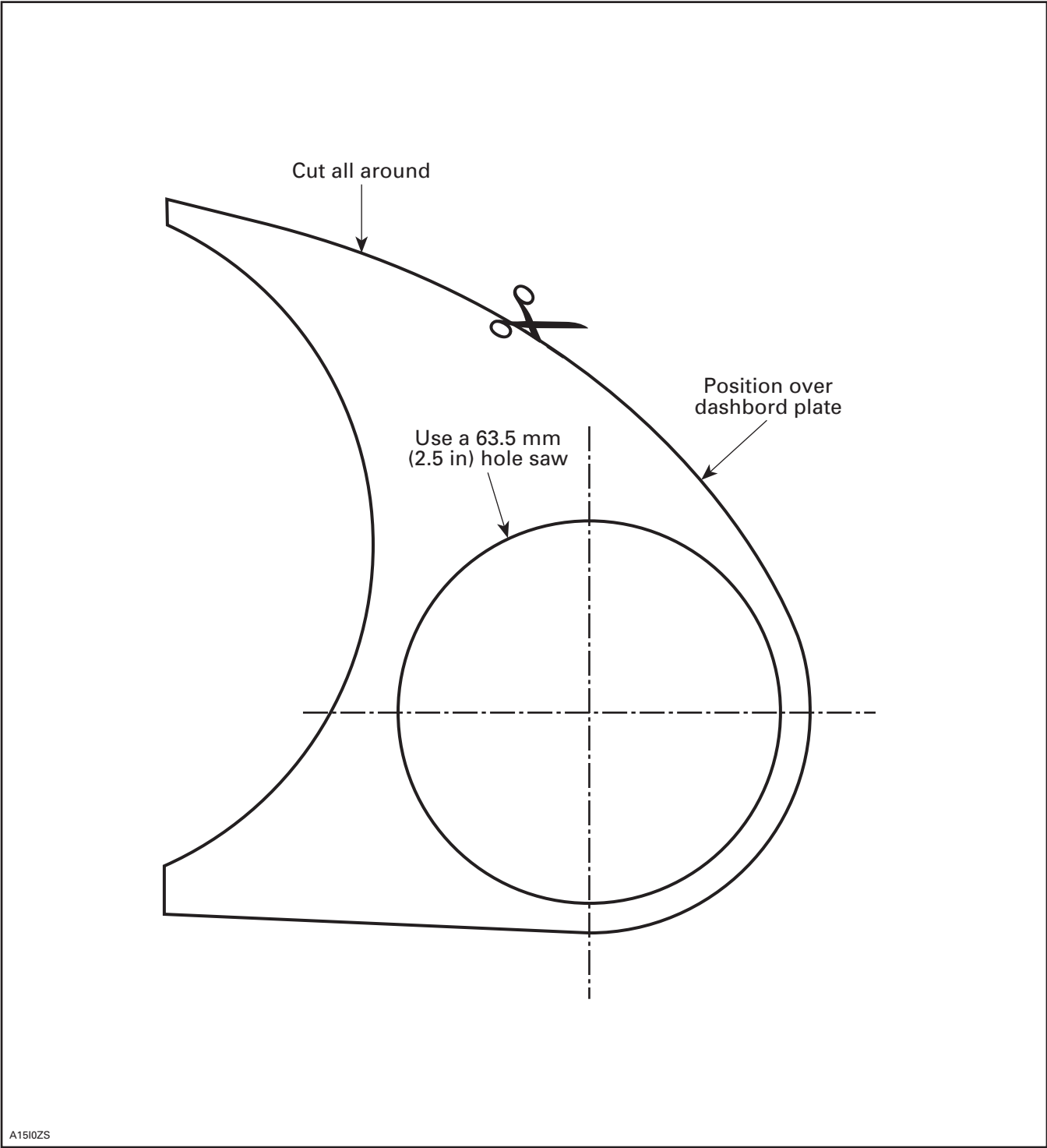
Install supplied fuel tank cap **no. 14**.

Test gauge operation with fuel tank empty and full. Ensure there is no fuel leak at the sensor.

Connect seat harness and reinstall seat.

# DRILLING TEMPLATE

Use this template to position drill hole for gauge in dashboard.



## 860 702 600

1.	515 175 439	Fuel Gauge	Indicateur de niveau de carburant
2.	414 807 200	Gauge Packing	Joint torique
3.	517 258 600	Formed Washer	Rondelle
4.	415 099 800	Gauge Holder	Support d'indicateur
5.	414 833 800	Flat Washer (2)	Rondelle plate (2)
6.	414 833 700	Lock Washer (2)	Rondelle-frein (2)
7.	414 833 600	Nut (2)	Écrou (2)
8.	561 503 400	Male Terminal (3)	Borne mâle (3)
9.	409 204 200	3-Connector Male Housing	Logement de raccords mâle à 3 circuits
10.	513 032 500	Float Support	Support de flotteur
11.	515 175 170	Fuel Sensor	Sonde de niveau de carburant
12.	233 241 414	Flanged Elastic Nut (5)	Écrou élastique à épaulement (5)
13.	414 115 200	Locking Tie (2)	Attache (2)
14.	572 039 600	Fuel Tank Cap	Bouchon de réservoir de carburant