



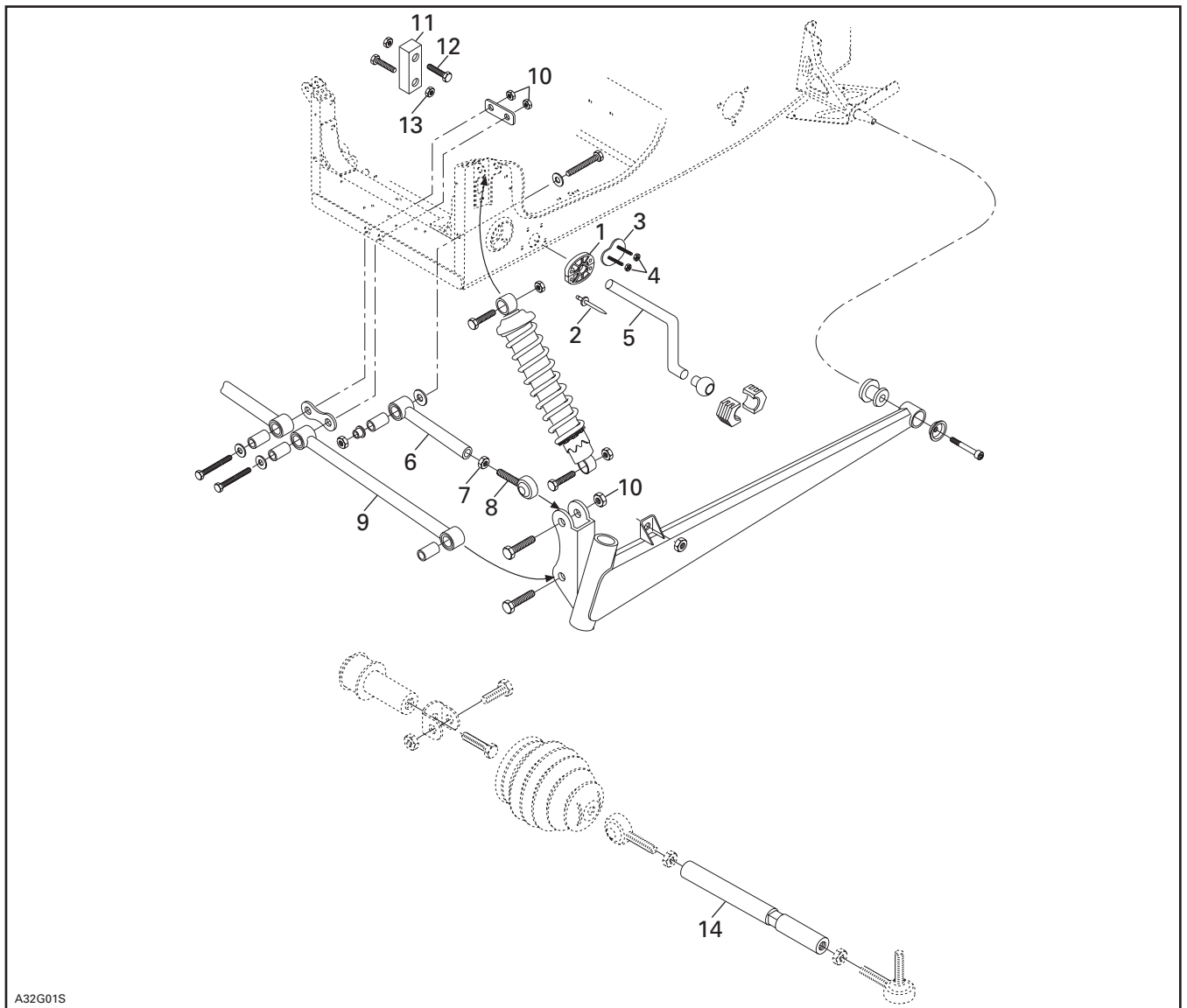
**SKI STANCE WIDENING KIT (40 in)  
(P/N 860 502 100)**

**◆ WARNING**

For safety reasons, this kit must be installed by an authorized Bombardier snowmobile dealer. Should removal of a locking device (e.g. lock tabs, self-locking fasteners, etc.) be required when undergoing disassembly/assembly, always replace with a new one. This instruction sheet should be given to the purchaser. This kit is designed for specific applicable models only. It is not recommended for units other than those for which it was sold.

NOTE: Installation time is approximately 2.5 hours.

**PARTS TO BE INSTALLED**



A32G01S

1. Half Bushing (4)
2. Rivet (4)
3. Threaded Soldered Plate (2)
4. Elastic Flanged Nut M5 (4)
5. Stabilizer Bar
6. Upper Arm Assy (2)
7. Jam Nut M12 (2)

8. Ball Joint (2)
9. Lower Arm Assy (2)
10. Elastic Flanged Nut M10 (8)
11. Spacer (2)
12. Hexagonal Bolt M8 x 75 (4)
13. Elastic Flanged Nut M8 (4)
14. Tie Rod (2)

## VEHICLE PREPARATION

Lift front of vehicle and support it with a stand.

Remove tuned pipe(s).

Remove the tie-rods by unscrewing them from the ball joints on both sides. Turn steering to be able to reach tie-rods.

Remove caps each side of the shock's upper bolt.

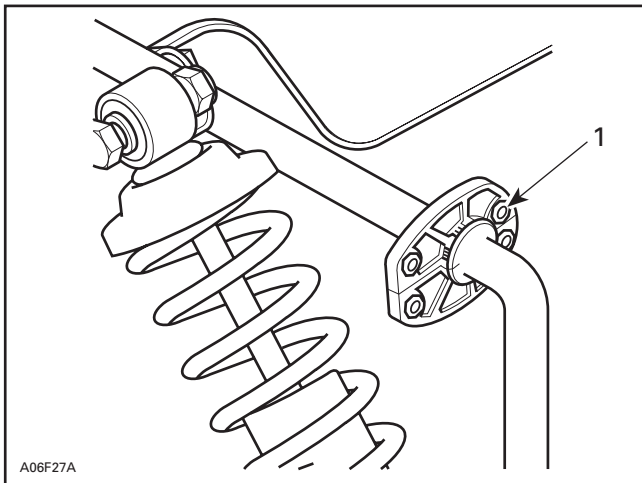
Remove shock's upper bolt. Discard nuts.

Reinstall caps.

Unbolt pivot arms from frame and put them aside to free space for control arm bolt removal.

**NOTE:** Pivot arm assembly contains many parts. To make sure reinstalling pivot arms properly, take care to avoid losing any part.

Remove nuts and bolts from upper and lower control arms. On swing arm side, keep bolts and discard nuts. On frame side, slide bolts into frame to allow control arm to be removed and discard nuts.



1. Pop rivets (4)

Unscrew swing arm from its pivot and spread it apart to free the stabilizer bar.

Cut locking ties holding electrical wires on stabilizer bar.

Drill rivets of bushings and remove them from their location, then remove the stabilizer bar.

**NOTE:** Bushings may be removed with a chisel.

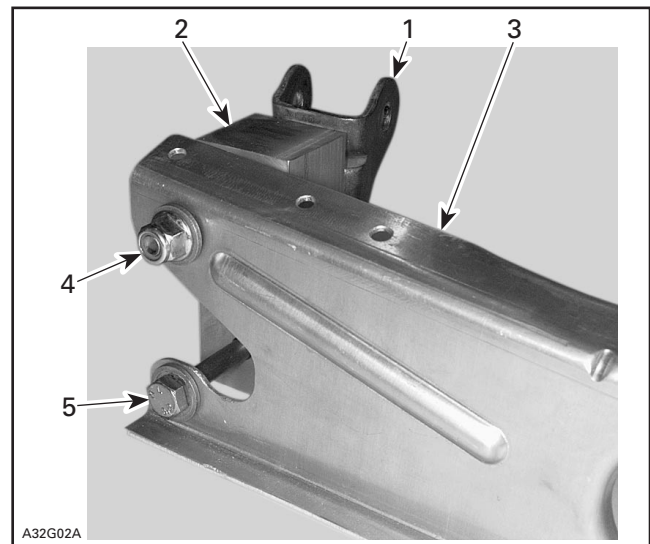
## INSTALLATION

### Spacers Installation

Remove shock support from frame. Discard bolts and nuts and replace them with hexagonal bolts M8 x 75 **no. 12** and elastic nuts M8 **no. 13**.

Bolt shock on support and insert a bolt **no. 12** in upper hole.

Install spacer **no. 11** on frame and insert lower bolt **no. 12** and washer. Take care to insert bolts on correct way and to place washers on frame side as shown on photo.



1. Shock support
2. Spacer
3. Frame
4. Upper bolt with washer and nut inside
5. Lower bolt with washer inside and nut outside

Position support on spacer and screw with provided nuts **no. 13**.

## Arms Installation

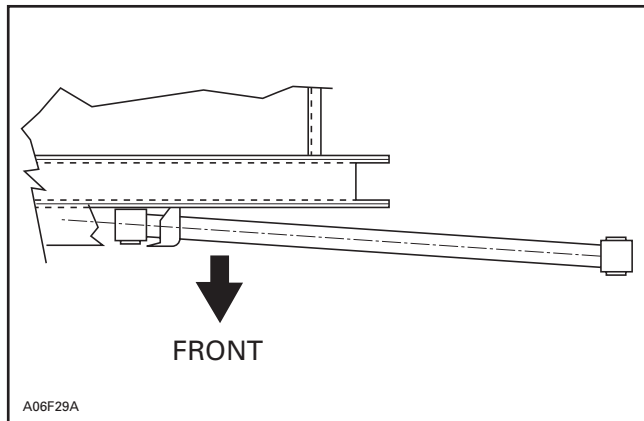
Install the ball joint **no. 8** with jam nut **no. 7** on upper arm assembly **no. 6**.

Put upper arm in place and secure it using bolts and new M10 elastic nuts **no. 10**.

Make sure that the ball joint is toward the outside of the machine.

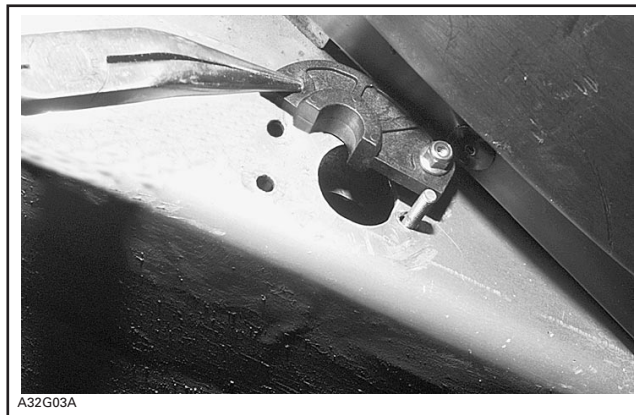
Install the new lower arm **no. 9** using bolts and new M10 elastic nuts **no. 10** (inner side only, do not tighten yet).

Position arms with the angle toward front as illustrated.



## Stabilizer Bar Installation

Insert threaded plate **no. 3** in stabilizer bar hole using curved pliers. Screw a half bushing **no. 1** on threaded plate with M5 nuts **no. 4** to make it hang in place as shown on photo. Take care to place concave side of threaded plate beside hole of stabilizer bar.



**NOTE:** Install threaded plates with upper half bushing on both sides before installing stabilizer bar.

Install new stabilizer bar **no. 5**.

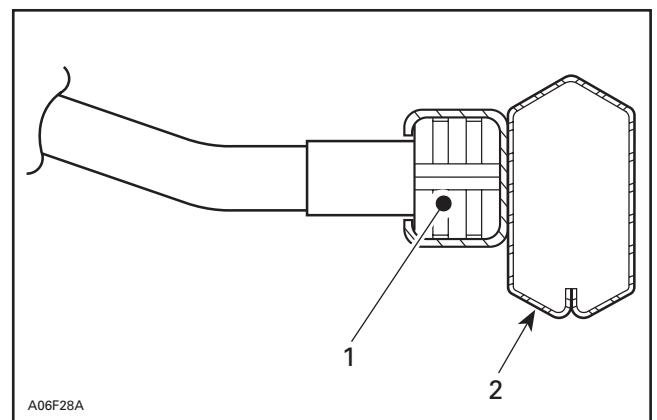
Hold electrical wires on stabilizer bar using locking ties.

Screw lower half bushings **no. 1** with screws M5 **no. 4** on threaded plate and finish installing them using rivets **no. 2**.

Install stabilizer bar end in ball joint.

Install sliding block into swing arm and apply low temperature grease (P/N 413 706 100). Refer to the following illustration.

**NOTE:** Install sliding blocks on both sides before performing next step.



1. Sliding block
2. Swing arm

Reinstall swing arms on pivots.

Secure upper and lower control arms to swing arm with bolts. Secure with new elastic nuts **no. 10**. Tighten inner and outer bolts.

Reinstall pivot arms.

Install new tie-rods **no. 14**.

## ADJUSTMENTS

After assembly, perform a ski alignment and a ski leg camber adjustment.

Refer to the *Ski-Doo Shop Manual* for proper adjustment procedures.

Reinstall tuned pipe(s).

## 860 502 100

1.	572 077 600	Half Bushing (4)	Demi-douille (4)
2.	390 402 300	Rivet (4)	Rivet (4)
3.	505 070 363	Threaded Soldered Plate (2)	Plaque soudée filetée (2)
4.	233 251 414	Elastic Flanged Nut M5 (4)	Écrou élastique à épaulement M5 (4)
5.	505 070 360	Stabilizer Bar	Barre stabilisatrice
6.	505 070 358	Upper Arm Assy (2)	Bras de suspension supérieur (complet) (2)
7.	732 610 019	Jam Nut M12 (2)	Contre-écrou M12 (2)
8.	415 068 400	Ball Joint (2)	Joint à rotule (2)
9.	505 070 359	Lower Arm Assy (2)	Bras de suspension inférieur (complet) (2)
10.	233 601 416	Elastic Flanged Nut M10 (8)	Écrou d'arrêt élastique M10 (8)
11.	505 070 361	Spacer (2)	Entretoise (2)
12.	207 087 544	Hexagonal Bolt M8 x 75 (4)	Vis hexagonale M8 x 75 (4)
13.	233 281 414	Elastic Flanged Nut M8 (4)	Écrou élastique à épaulement M8 (4)
14.	506 140 400	Tie Rod (2)	Barre d'accouplement (2)