

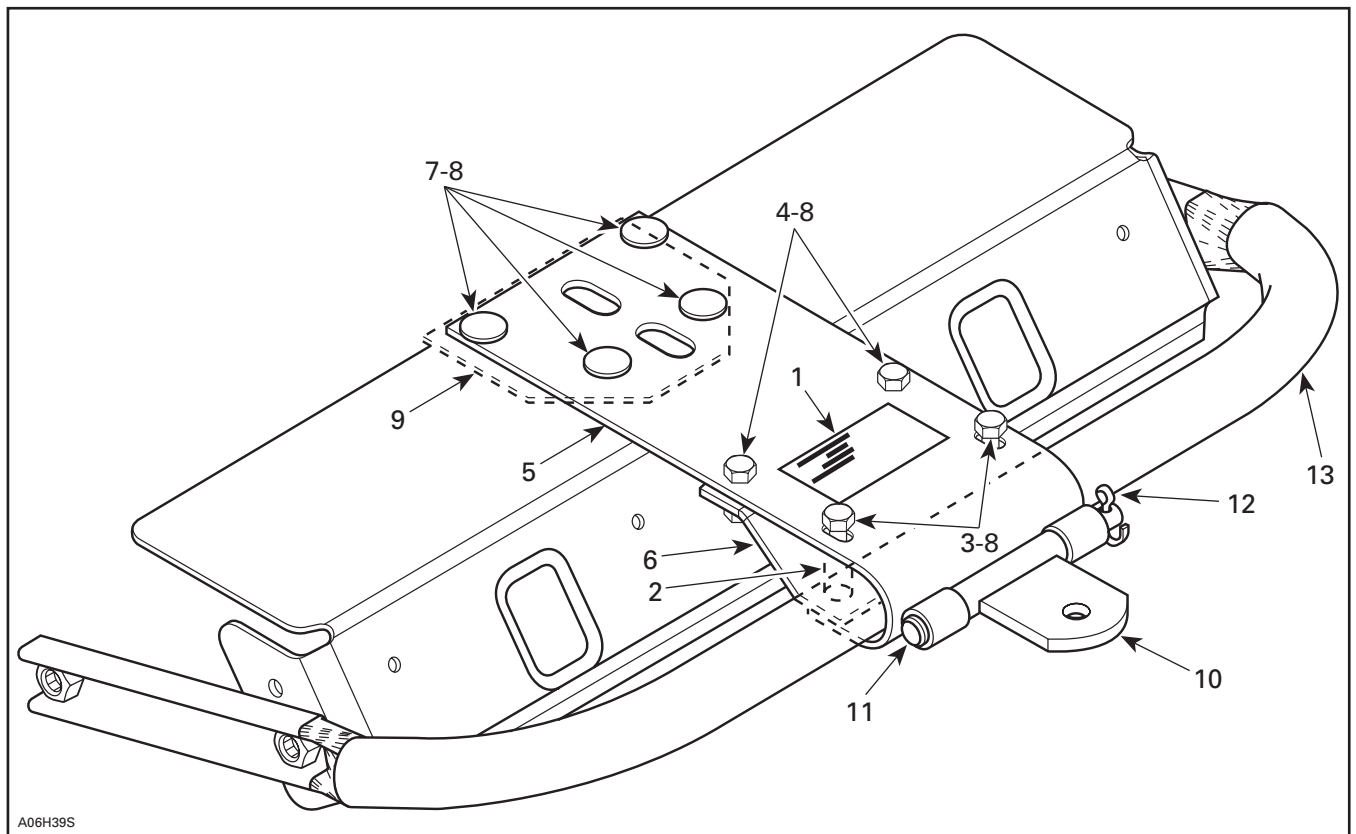


## ◆ WARNING

For safety reasons, this kit must be installed by an authorized Bombardier snowmobile dealer. Should removal of a locking device be required when undergoing disassembly/assembly, always replace with a new one. This instruction sheet should be given to the purchaser. This kit is designed for specific applicable models only. It is not recommended for vehicles other than those for which it was sold.

NOTE: Installation time is approximately 0.5 hour.

## PARTS TO BE INSTALLED



A06H39S

- |                              |                 |
|------------------------------|-----------------|
| 1. Label                     | 8. Nut M6 (8)   |
| 2. Spacer (2)                | 9. Inner Plate  |
| 3. Bolt M6 x 50 (2)          | 10. Hitch Plate |
| 4. Bolt M6 x 18 (2)          | 11. Clevis Pin  |
| 5. Support                   | 12. Cotter Pin  |
| 6. Outer Plate               | 13. Bumper      |
| 7. Carriage Bolt M6 x 20 (4) |                 |

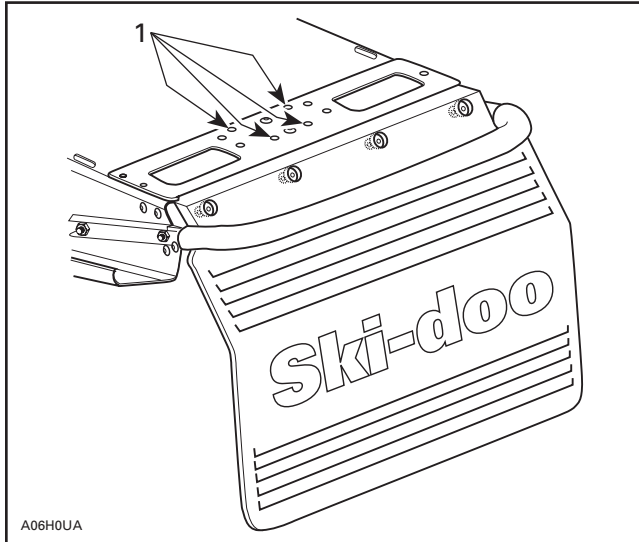
## PROCEDURE

Remove seat (short tunnel model only).

Remove rear surrounding molding (if so equipped), or both rear side moldings (if so equipped).

Remove rear bumper.

Using the 4 pre-drilled holes in the end caps as guide, drill through the tunnel using a 6.5 mm (1/4 in) drill bit. See illustration.



1. Pre-drilled holes



### CAUTION

Care must be taken to only drill in designated areas. Damage to the heat exchangers could occur if drilling outside this area.

### **CK-3 Models**

Cut rear snowguard along inside guidelines to provide hitch opening.

### **All Models**

Install new rear bumper **no. 13**.

Install outer plate **no. 6** with support **no. 5**, spacers **no. 2**, bolts **no. 3** and bolts **no. 4**. Secure with nuts **no. 8** and tighten.

Insert inner plate **no. 9** and support **no. 5** and secure with carriage bolts **no. 7** and nuts **no. 8**. Tighten all bolts.

Install hitch plate **no. 10** with clevis pin **no. 11** and cotter pin **no. 12**.

Reinstall rear molding(s) and seat.

**NOTE:** Make sure hitch plate swings freely on hitch bracket.

Affix warning label **no. 1** to hitch.

**NOTE:** A hook-type hitch kit (P/N 861 722 500) is available for converting the present kit.

## 861 769 600

1.	414 998 500	Label	Étiquette
2.	517 191 700	Spacer (2)	Entretoise (2)
3.	207 065 044	Bolt M6 x 50 (2)	Boulon M6 x 50 (2)
4.	207 161 844	Bolt M6 x 18 (2)	Boulon M6 x 18 (2)
5.	511 000 019	Support	Support
6.	511 000 022	Outer Plate	Plaque extérieure
7.	207 762 044	Carriage Bolt M6 x 20 (4)	Boulon de carrosserie M6 x 20 (4)
8.	233 261 414	Nut M6 (8)	Écrou M6 (8)
9.	517 256 100	Inner Plate	Plaque intérieure
10.	517 008 700	Hitch Plate	Plaque d'attelage
11.	505 001 700	Clevis Pin	Axe de chape
12.	371 800 200	Cotter Pin	Goupille fendue
13.	517 243 800	Bumper	Pare-chocs