

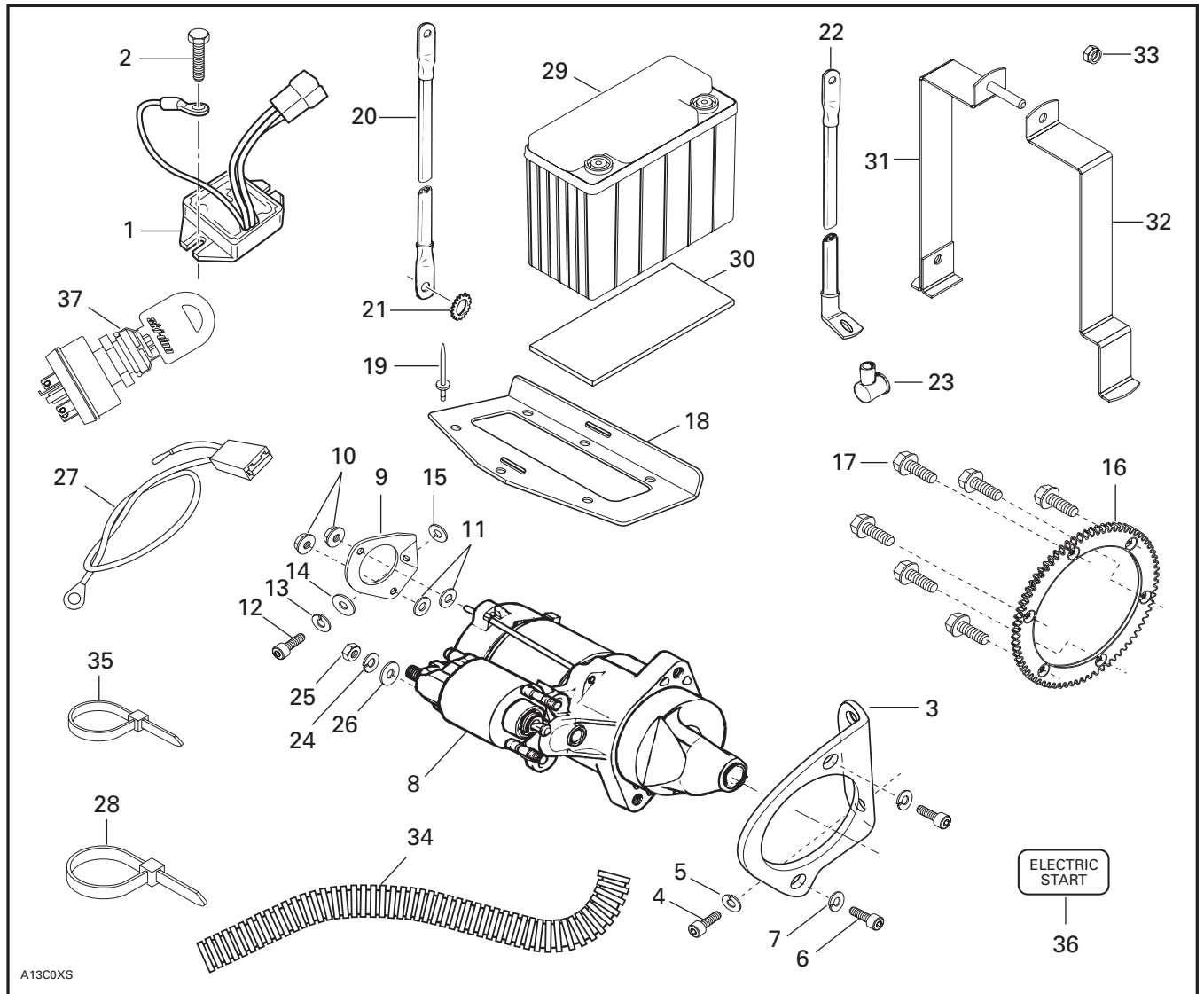


◆ WARNING

For safety reasons, this kit must be installed by an authorized Bombardier snowmobile dealer. Should removal of a locking device be required when undergoing disassembly/assembly, always replace with a new one. This instruction sheet should be given to the purchaser. This kit is designed for specific applicable models only. It is not recommended for vehicles other than those for which it was sold.

NOTE: Installation time is approximately 2.5 hours.

PARTS TO BE INSTALLED



1. Voltage Regulator
2. Hexagonal Self-Tapping Screw M6 x 16 (2)
3. Starter Support PTO
4. Socket Screw M8 x 20 (2)
5. Lock Washer M8 (2)
6. Socket Screw M8 x 25 (2)
7. Lock Washer M8 (2)
8. Starter
9. Starter Support MAG
10. Flanged Elastic Nut M5 (2)
11. Flat Washer M5 (2)
12. Socket screw M8 x 20
13. Lock Washer M8
14. Flat Washer M8
15. Hardened Washer (2)
16. Ring Gear
17. Self-Tapping Screw M8 x 16 (6)
18. Battery Seat
19. Rivet (6)
20. Battery Ground Cable (BLACK)
21. Lock Washer (star)
22. Battery Positive Cable (RED)
23. Protector Cap (2)
24. Lock Washer M8
25. Hexagonal Nut M8
26. Flat Washer M8
27. Fuse Holder
28. Locking Tie (8)
29. Battery
30. Rubber Strip
31. Welded Steel Strip
32. Steel Strip
33. Flanged Elastic Nut
34. Protector
35. Locking Tie
36. Decal
37. Ignition Switch

VEHICLE PREPARATION

Battery

NOTE: Refer to appropriate *Ski-Doo Shop Manual* for proper battery removal/installation procedure.

Battery must be charged prior to installing this electric starter kit.

◆ WARNING

Never charge or boost battery while connected or installed in vehicle.

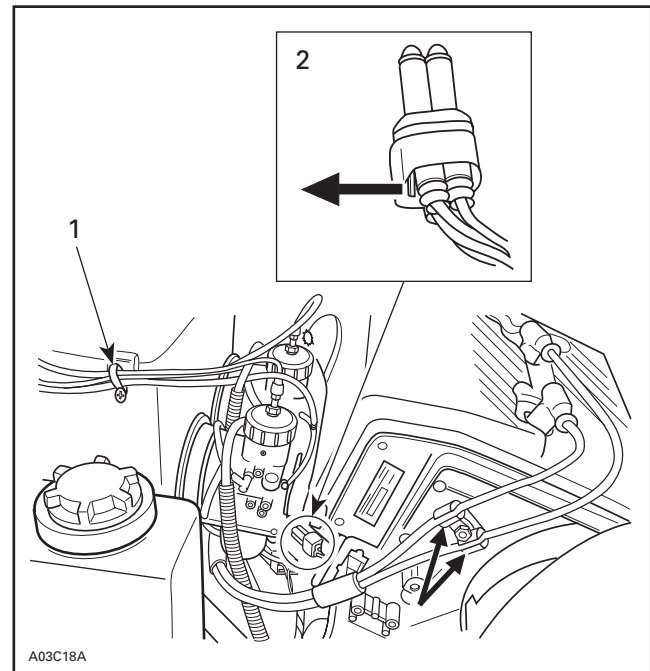
Vehicle

Close fuel shut off valve, if equipped.

Remove exhaust system, belt guard and drive belt.

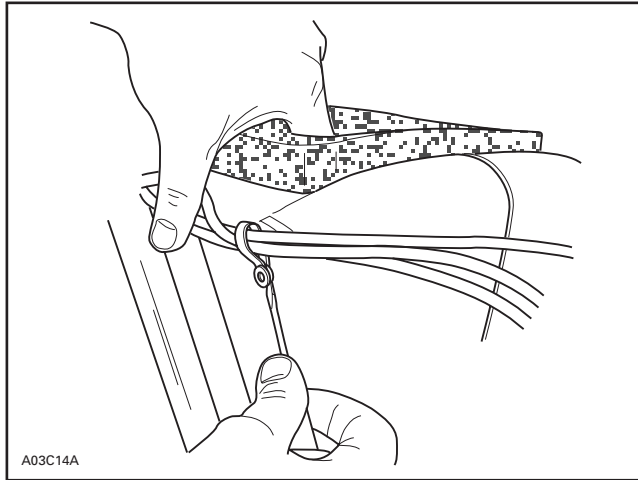
Unfasten spark plug cables from fan housing. Unplug spark plug caps.

Unplug electronic box harness underneath carburetors by inserting a screwdriver in connector tab and pull tab as illustrated.



1. Plastic clip
2. CDI box harness connector

Open plastic clip that is positioned on air intake silencer. Insert a flat tip screw driver and turn as illustrated.

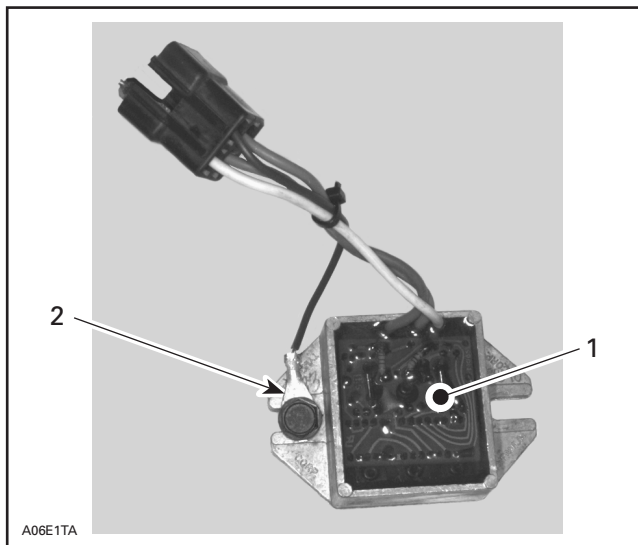


Remove air intake silencer.

INSTALLATION

Voltage Regulator

1. Remove original regulator/rectifier, located along RH side member of frame. Secure voltage regulator **no. 1** on both sides using self-tapping screws **no. 2** as well as connecting ground wire from voltage regulator as shown.



1. Voltage regulator
2. Connect ground wire here

2. Apply silicone dielectric grease (P/N 413 701 700) in voltage regulator 4-connector housing as well as vehicle harness 4-connector housing and plug them together.

Ring Gear

Remove drive pulley. Refer to *Shop Manual* to perform drive pulley disassembly/assembly procedures and to proceed with pulley alignment.

Secure ring gear **no. 16** on inner half using 6 self tapping screws **no. 17**. Apply Loctite 271 (red) on screw threads.

▼ CAUTION

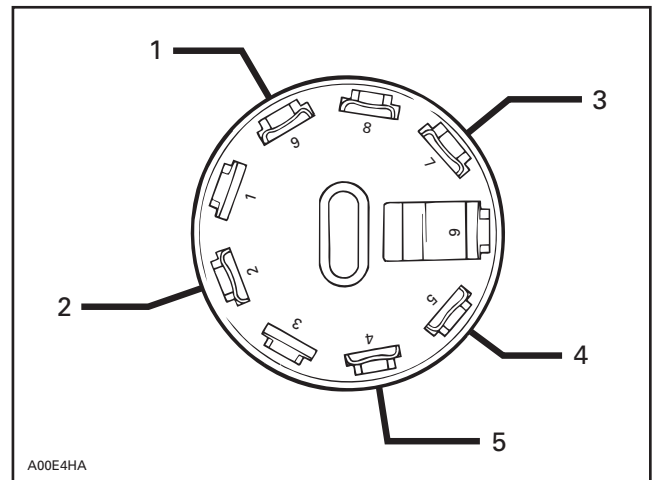
Loctite 271 (red) must be applied to properly assemble the ring gear.

Torque screws to 27 N•m (20 lbf•ft) in a criss-cross sequence.

Do not reinstall drive pulley at this time.

Ignition Switch

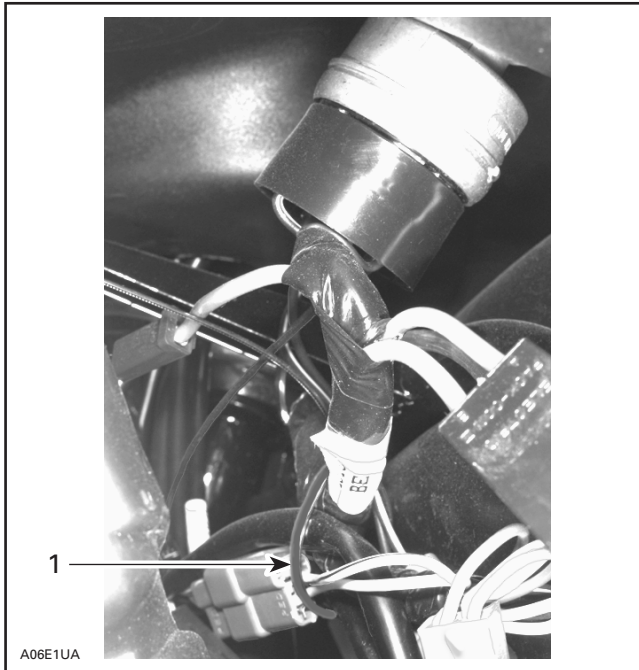
Cut locking tie and unplug switch connector housing from ignition switch. Insert shortest wire of fuse holder **no. 27** inside switch connector housing, in position number 7. Reposition connectors respecting vehicle connector code as illustrated.



1. RED/GREEN wire to solenoid
2. BLACK/YELLOW
3. RED wire with fuse to battery
4. BLACK
5. RED/BLUE

Remove existing ignition switch and install ignition switch **no. 37**.

Replug switch connector housing to ignition switch and secure wires with a locking tie **no. 28** as shown.



1. Locking tie

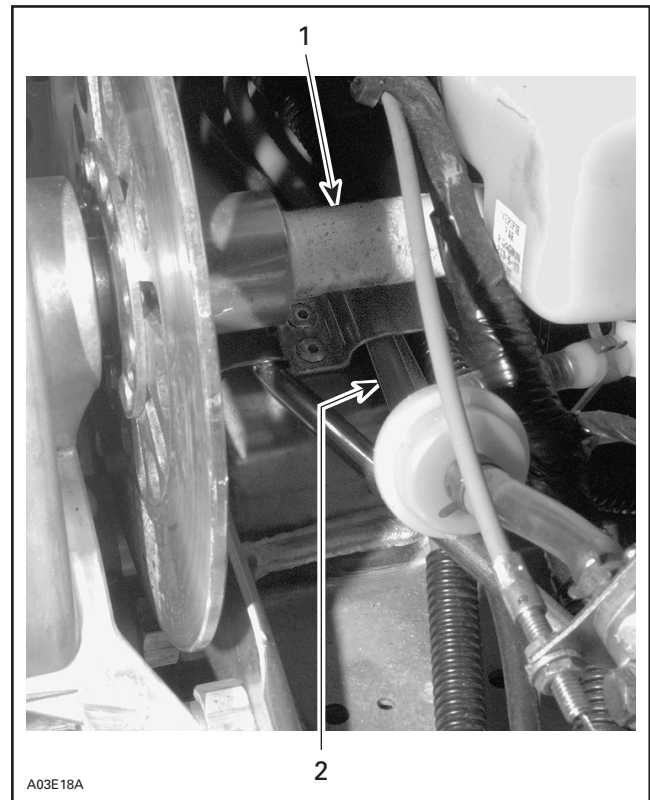
Wire/Cable Connections and Routing

Ensure that one connector of RED positive battery cable **no. 22** is straight and other connector is bent to 60°. Bend or straighten as necessary.

Starting from battery location, route battery cable along vehicle harness to starter location.

The straight connector will be connected to battery.

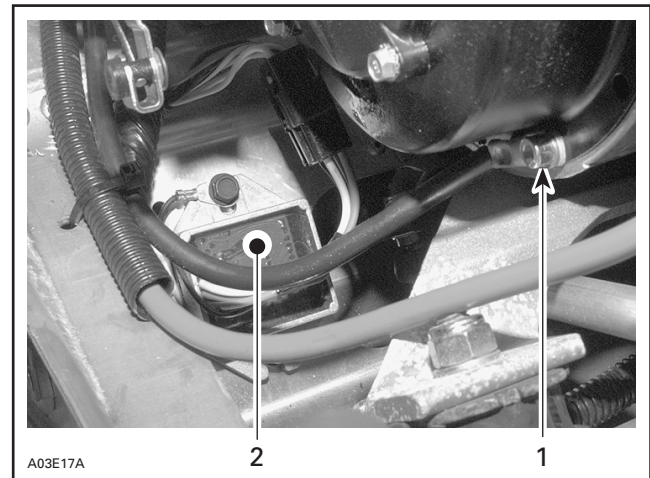
NOTE: Route battery cables through free bracket underneath countershaft as illustrated.



1. Countershaft
2. Battery cables underneath bracket

Install BLACK battery ground cable **no. 20** with star washer **no. 21** to the rewind starter. Secure with the existing rewind starter bolt. Refer to following illustration for proper cable positioning.

NOTE: Connect BLACK ground cable in specified order. Position star washer first then BLACK ground cable and tighten with original screw.



1. Connect BLACK ground cable here
2. Regulator

Electric Starter

▼ CAUTION

Apply Loctite 271 (red) on all fastener threads of starter supports.

Install starter support **no. 3** (PTO side) to engine using socket screws **no. 4** and lock washers **no. 5**. Tighten firmly.

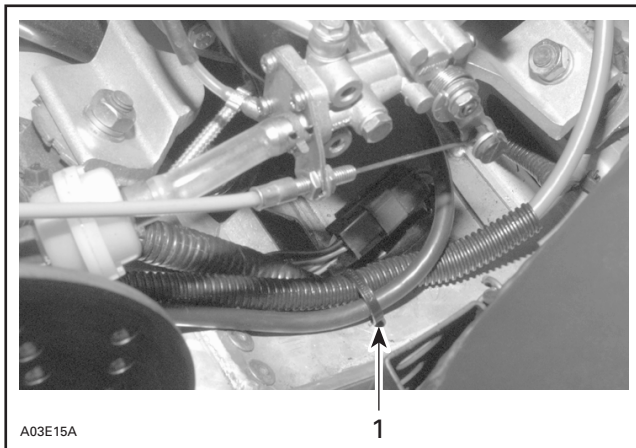
Install electric starter **no. 8** on support. Secure bottom first and then the top using socket screws **no. 6** and lock washers **no. 7**.

Install washers **no. 11** over nuts of starter through bolts (MAG side).

Install starter support **no. 9** (MAG side) to starter and secure with flanged elastic nuts **no. 10**.

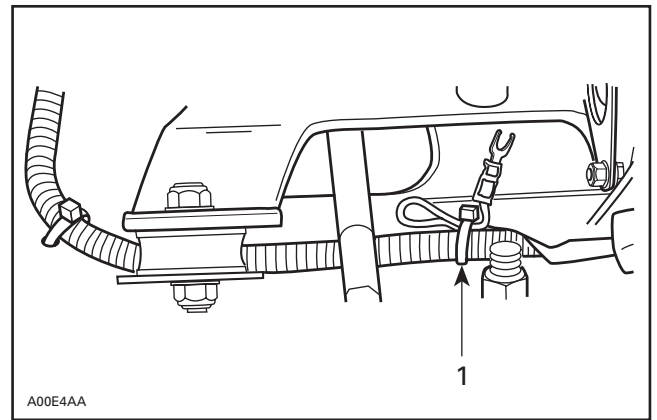
If necessary, install hardened washer(s) **no. 15** to fill gap between support and engine. Secure support to engine with washer **no. 14**, lock washer **no. 13** and screw **no. 12**.

Install cable protector **no. 34** then slide protector cap **no. 23** onto RED battery cable **no. 22**. Bend terminal to fit. Install RED cable on starter with washer **no. 26**, lock washer **no. 24** and nut **no. 25**. Cover starter terminal with protector cap. Install locking tie as shown.



1. Locking tie

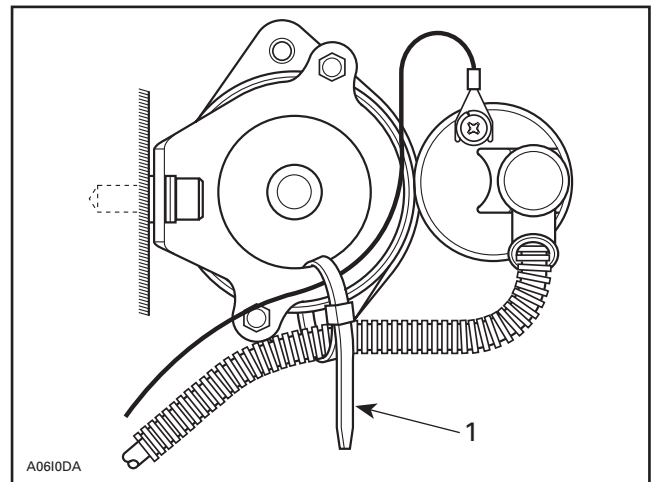
Cut locking tie that is retaining RED/GREEN wire to wiring harness beneath engine.



1. Cut locking tie

Connect RED/GREEN wire to small post on solenoid. Position connector under lock washer.

Secure cables loosely to rear bracket with a locking tie **no. 28**, as illustrated.



1. Tie loosely

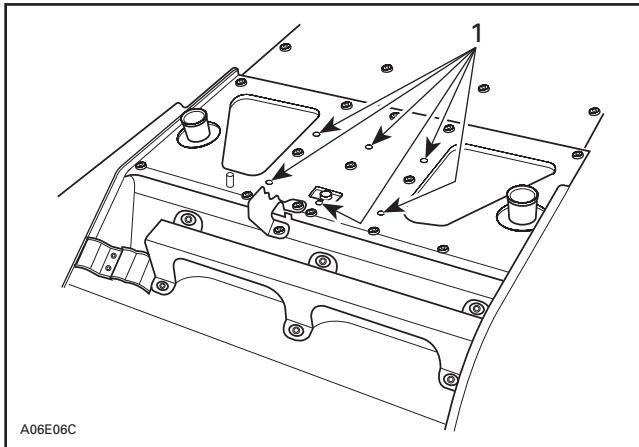
Pull excess amount of cable from underneath engine.

Battery and Rack

▼ CAUTION

Cover carburetor intakes with a clean rag during the following drilling operation.

Drill 6 holes in chassis with a 5.2 mm (13/64 in) drill bit as shown in the following illustration. Use existing holes in chassis as a guide.



A06E06C

1. Drill 5.2 mm (13/64 in) holes

Secure battery seat no. 18 with 6 rivets no. 19. Install rubber strip no. 30 and battery no. 29 on seat. Insert protector cap no. 23 onto RED positive cable. Connect battery RED positive cable and RED wire with fuse from ignition switch to battery, cover post with protector cap, THEN connect BLACK ground cable. Secure cables on top of battery posts.

◆ WARNING
Always connect battery cables exactly in the specified order. Connect RED positive cable first, then BLACK negative ground cable.

Install strips no. 31 and no. 32 and secure with flanged elastic nut no. 33. Route RED battery cable and RED wire through indentation on front battery strip. Fasten battery cables using a locking tie no. 35.

◆ WARNING
Ensure all terminals are properly crimped on wires/cables and that all connector housings are properly fastened. Keep wires away from any rotating, moving, heating or vibrating parts as well as from sharp edges. Use proper fastening devices as required.

FINALIZING INSTALLATION

NOTE: Refer to appropriate *Ski-Doo Shop Manual* for proper reinstallation procedure.

Reinstall drive pulley.

Check pulley alignment.

◆ WARNING
Drive pulley alignment must always be checked whenever pulleys have been removed, replaced or disassembled.

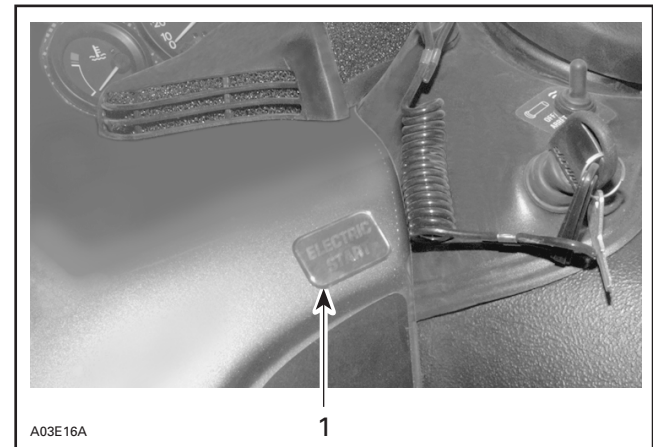
Reinstall remaining removed parts.

Decal

Clean decal area with soapy water or isopropyl alcohol using a soft clean cloth and dry thoroughly.

▼ CAUTION
Do not apply isopropyl alcohol on decal.

Remove backing from decal. Apply decal no. 36 as shown.



A03E16A

1. Decal

861 766 300

1.	515 163 900	Voltage Regulator	Régulateur de tension
2.	210 261 680	Hexagonal Self-Tapping Screw M6 x 16 (2)	Vis autotaraudeuse à tête hexagonale M6 x 16 (2)
3.	420 951 418	Starter Support PTO	Support de démarreur (côté PDM)
4.	205 082 044	Socket Screw M8 x 20 (2)	Vis à tête creuse M8 x 20 (2)
5.	420 945 752	Lock Washer M8 (2)	Rondelle-frein M8 (2)
6.	205 082 544	Socket Screw M8 x 25 (2)	Vis à tête creuse M8 x 25 (2)
7.	234 181 401	Lock Washer M8 (2)	Rondelle-frein M8 (2)
8.	410 212 400	Starter	Démarreur
9.	420 951 427	Starter Support MAG	Support de démarreur (côté MAG)
10.	233 251 414	Flanged Elastic Nut M5 (2)	Écrou d'arrêt élastique à épaulement M5 (2)
11.	391 301 700	Flat Washer M5 (2)	Rondelle plate M5 (2)
12.	205 082 044	Socket Screw M8 x 20	Vis à tête creuse M8 x 20
13.	420 945 752	Lock Washer M8	Rondelle-frein M8
14.	234 081 410	Flat Washer M8	Rondelle plate M8
15.	503 007 900	Hardened Washer (2)	Rondelle trempée (2)
16.	415 043 100	Ring Gear	Couronne de lancement
17.	732 601 246	Self-Tapping Screw M8 x 16 (6)	Vis autotaraudeuse M8 x 16 (6)
18.	517 286 200	Battery Seat	Support de batterie
19.	390 402 200	Rivet (6)	Rivet (6)
20.	515 175 287	Battery Ground Cable (BLACK)	Câble de masse de la batterie (NOIR)
21.	394 001 900	Lock Washer (star)	Rondelle-frein en étoile
22.	515 175 288	Battery Positive Cable (RED)	Câble positif de la batterie (ROUGE)
23.	570 151 000	Protector Cap (2)	Capuchon de protection (2)
24.	420 945 752	Lock Washer M8	Rondelle-frein M8
25.	232 081 414	Hexagonal Nut M8	Écrou hexagonal M8
26.	234 081 410	Flat Washer M8	Rondelle plate M8
27.	515 157 300	Fuse Holder	Porte-fusible
28.	414 115 200	Locking Tie (8)	Attache (8)
29.	410 301 200	Battery	Batterie
30.	570 070 300	Rubber Strip	Bande de caoutchouc
31.	515 175 207	Welded Steel Strip	Bande d'acier soudée
32.	515 175 116	Steel Strip	Bande d'acier
33.	233 251 414	Flanged Elastic Nut	Écrou d'arrêt élastique à épaulement
34.	414 627 300	Protector	Protecteur
35.	748 001 001	Locking Tie	Attache
36.	418 001 300	Decal	Autocollant
37.	410 111 300	Ignition Switch	Interrupteur d'allumage