



**HIGH PROFILE TRACK KIT
(P/N 861 771 700)**

◆ WARNING

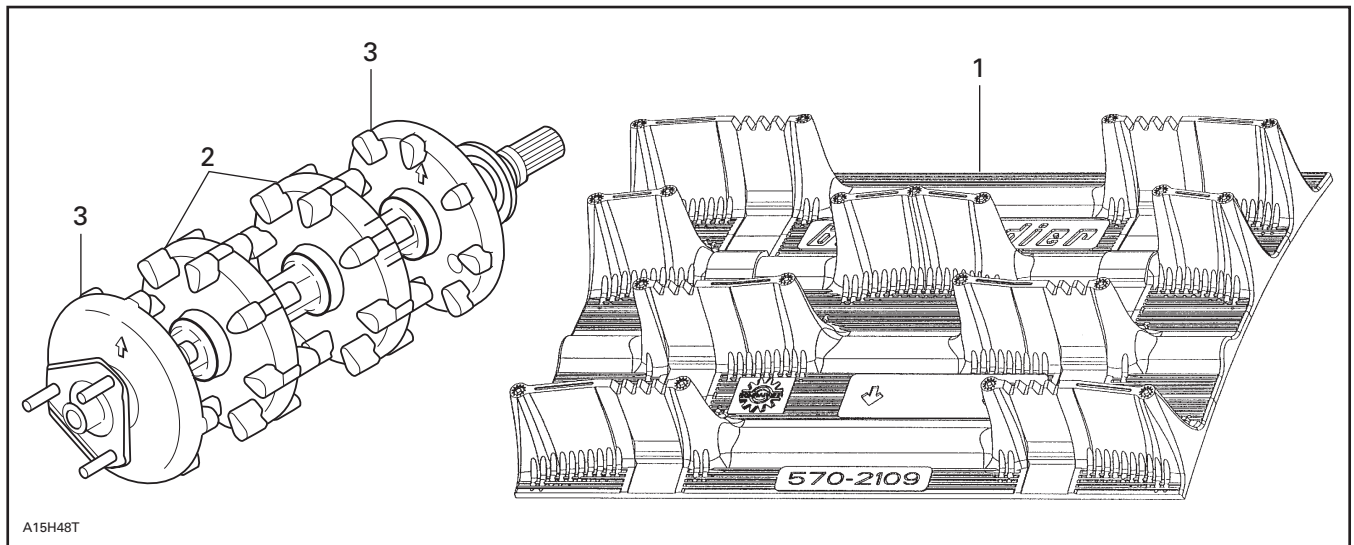
For safety reasons, this kit must be installed by an authorized Bombardier snowmobile dealer. Should removal of a locking device be required when undergoing disassembly/assembly, always replace with a new one. This instruction sheet should be given to the purchaser. This kit is designed for specific applicable models only. It is not recommended for units other than those for which it was sold.

NOTE: Installation time is approximately 2.5 hour.

▼ CAUTION

Using this kit for application other than deep snow conditions will cause premature wear and possibly severe damage to the track.

PARTS TO BE INSTALLED



1. Track
2. Sprocket (8 teeth) (2)
3. Half-Sprocket (8 teeth) (2)

VEHICLE PREPARATION

NOTE: If additional information is required, refer to *Ski-Doo Shop Manual*, section 07 for proper removal/installation procedure.

Raise rear of vehicle and block safely. Remove rear suspension and track.

Remove drive axle.

Remove sprockets and half-sprockets from drive axle and replace with new sprockets **no. 2** and new half-sprockets **no. 3**.

Refer to *Shop Manual* for sprockets change procedure.

INSTALLATION PROCEDURE

Reinstall drive axle.

Install new track **no. 1**, paying close attention to the direction of rotation (arrows are engraved on track).

Reinstall rear suspension in tunnel.

Install front arm upper axle in existing holes.

Drill new hole to 8.4 mm (21/64 in) on center bracket.

Refer to illustration for proper location.

Install wheel support axle using new holes in center bracket.

Secure rear suspension axle using lower holes on rear bracket.

Adjust drive chain tension and refill chaincase with Bombardier synthetic chaincase oil (P/N 413 802 800).

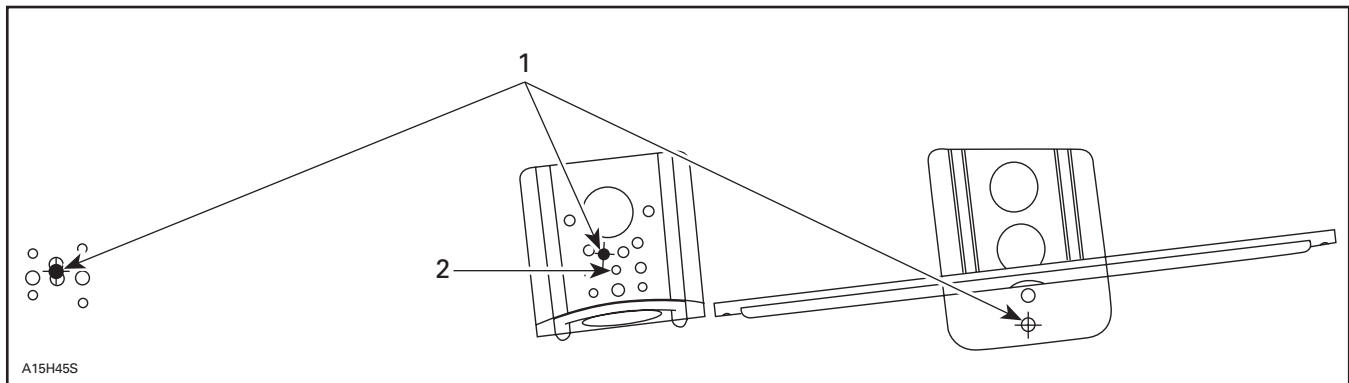
Adjust track tension and alignment.

◆ WARNING

Before checking track tension and alignment, ensure that the track is free of all particles which could be thrown out while rotating. Keep hands, tools, feet and clothing clear of track. Ensure no one is standing in close proximity to the vehicle.

With rear of vehicle supported off the ground, start engine and allow the track to rotate **slowly**.

Check for proper operation of new track.



1. Existing holes

2. Drill new hole 8.4 mm (21/64 in)

861 771 700

1.	570 210 900	Track	Chenille
2.	414 931 800	Sprocket (8 teeth) (2)	Barbotin (8 dents) (2)
3.	415 067 400	Half-Sprocket (8 teeth) (2)	Demi-barbotin (8 dents) (2)