



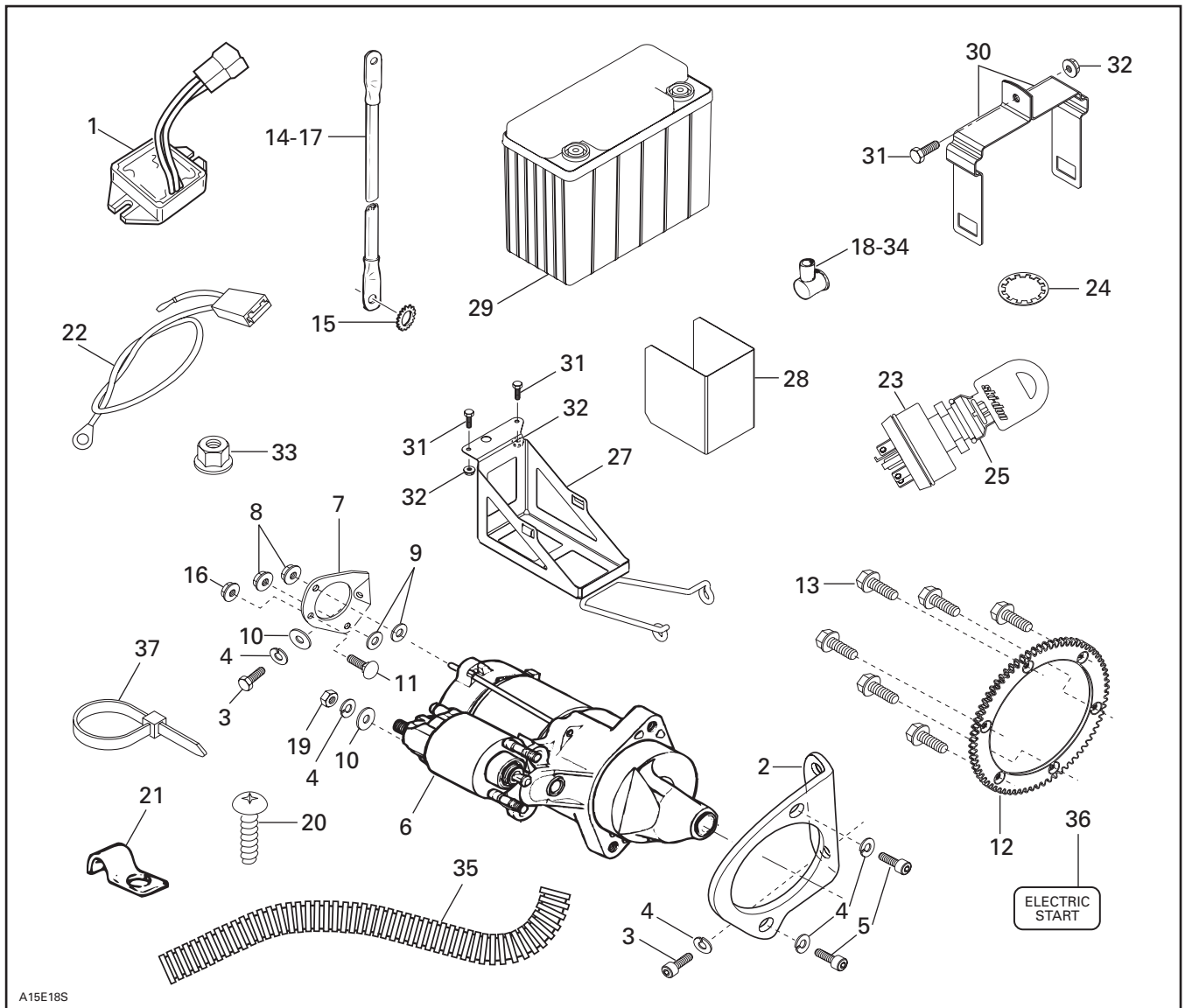
**ELECTRIC STARTER KIT
(P/N 860 702 200)**

◆ WARNING

For safety reasons, this kit must be installed by an authorized Bombardier snowmobile dealer. Should removal of a locking device be required when undergoing disassembly/assembly, always replace with a new one. This instruction sheet should be given to the purchaser. This kit is designed for specific applicable models only. It is not recommended for units other than those for which it was sold.

NOTE: Installation time is approximately 2.5 hours.

PARTS TO BE INSTALLED



A15E18S

1. Regulator/Rectifier
2. Starter Support PTO side
3. Hexagonal Screw M8 x 20 (3)
4. Lock Washer M8 (6)
5. Hexagonal Screw M8 x 25 (2)
6. Starter
7. Starter Support MAG side
8. Flanged Elastic Nut M5 (2)
9. Flat Washer M6 (2)
10. Flat Washer M8 (2)
11. Carriage Bolt
12. Ring Gear
13. Self-Tapping Screw M8 x 16 (6)
14. BLACK Negative Ground Cable
15. Star Washer M6
16. Flanged Elastic Nut M6
17. RED Positive Battery Cable
18. Protector Cap (at starter)
19. Hexagonal Nut M8

20. Self-Tapping Screw
21. Clip
22. Fusible Wiring Harness
23. Switch
24. Lock Washer
25. Face Nut
26. Switch Protector (not illustrated)
27. Battery Seat
28. Deflector
29. Battery
30. Steel Strip (2)
31. Hexagonal Screw M5 x 16 (3)
32. Elastic Stop Nut M5 (3)
33. Hexagonal Nut M10 (2)
34. Protector Cap (at battery)
35. Tubing
36. Decal
37. Locking Tie (8)

INSTRUCTIONS

Vehicle Preparation

Remove tuned pipe, muffler, belt guard, drive belt, air intake silencer.

Loosen drive pulley retaining screw for later removal.

Regulator/Rectifier

Remove original regulator/rectifier, located along RH side member of frame. Secure regulator/rectifier **no. 1** on both sides with same self-tapping bolts.

Apply silicone dielectric grease (P/N 293 550 004) in regulator/rectifier connector and then connect it to vehicle harness connector. Secure connectors with a locking tie **no. 37**.

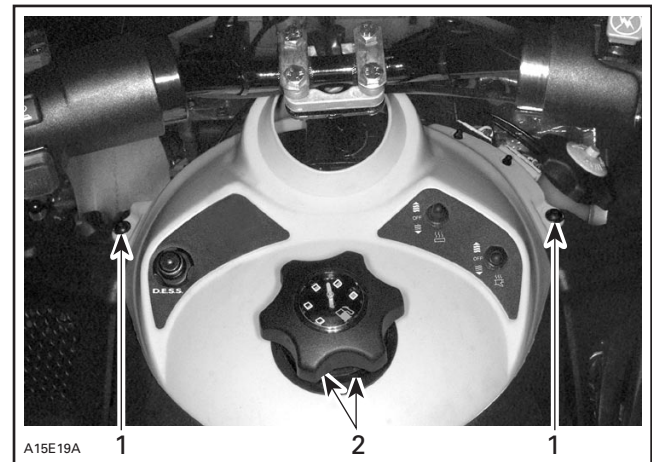
Ignition Switch

Remove steering pad.

Remove upper screw retaining both left and right consoles.

Remove fuel tank cap and retaining ring.

Using template, found on the last page of the current document, properly positioned on dash, mark center hole for switch location, beside DESS connector.

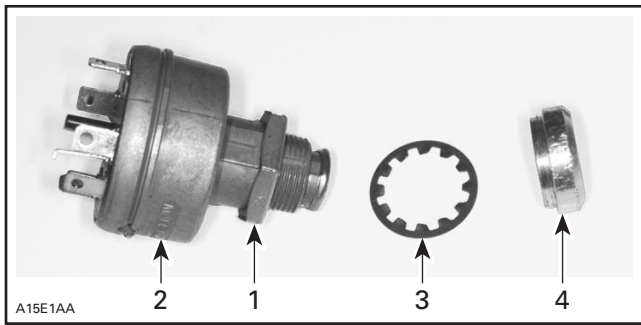


WITH STEERING PAD REMOVED

1. Remove these screws
2. Remove cap and retaining ring

Using a 19 mm (3/4 in) hole saw, drill through dash.

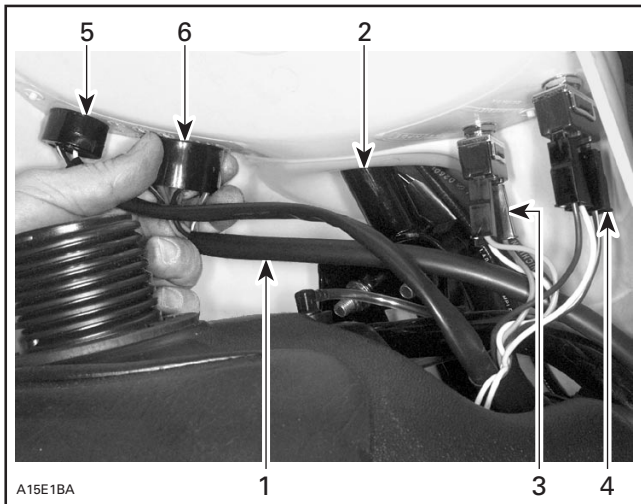
Tighten nut onto ignition switch **no. 23**, slide star lock washer **no. 24** onto switch then insert switch through hole from underneath and secure on top with face nut **no. 25**.



1. Nut
2. Ignition switch
3. Star lock washer
4. Face nut

Install rubber protector no. 26 on top of switch.

Connect fusible wiring harness no. 22 to ignition switch then, lift dash and route wiring harness behind steering column but in front of heated thumb/handle connectors, leading toward battery area.

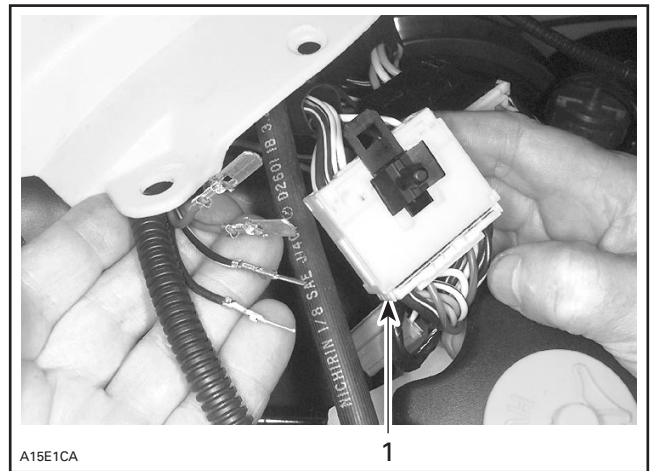


1. Fusible wiring harness
2. Steering column
3. Heated handle connector
4. Heated thumb connector
5. DESS connector
6. Ignition switch connector

Open multi connector and insert terminals in proper holes as follows:

BLACK wire in hole no. 15
 BLACK/YELLOW wire in hole no. 14
 RED/BLUE wire in hole no. 13 and
 RED/GREEN wire in hole no. 11.

Close multi connector.



1. Use this multi-connector.

Ring Gear

Remove drive pulley. Refer to appropriate *Shop Manual* to perform drive pulley disassembly/assembly procedures and to proceed with pulley alignment.

Secure ring gear no. 12 on inner half using self-tapping screws no. 13. Apply Loctite 271 (red) on screw threads.

▼ CAUTION

Loctite 271 (red) must be applied to safely assemble ring gear.

Torque screws in a criss-cross sequence to 27 N•m (20 lbf•ft).

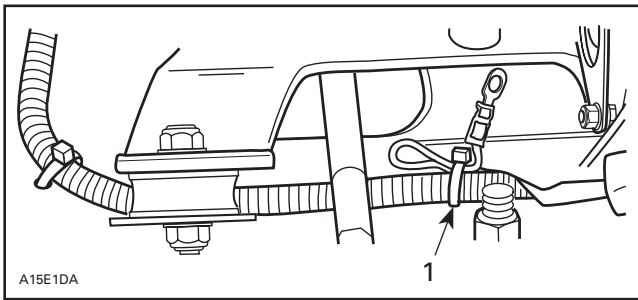
Do not reinstall drive pulley at this time.

Electric Starter

▼ CAUTION

Apply Loctite 271 (red) on all fastener threads of starter supports.

From main harness underneath engine cut locking tie and pull out black wire with the eyelet terminal toward the starter position.



1. Locking tie

Install starter support PTO side **no. 2** to engine using hexagonal screws **no. 3** and lock washers **no. 4**. Tighten firmly.

Install electric starter **no. 6** on support, bottom bolts first and secure it using M8 x 25 hexagonal screws **no. 5** and lock washers M8 **no. 4**.

Install flat washers M6 **no. 9** over nuts of starter through bolts.

Install starter support MAG side **no. 7** to starter after inserting carriage bolt **no. 11**, and secure with M5 flanged elastic nuts **no. 8**.

Secure support to engine with M8 x 20 hexagonal screw **no. 3**, flat washer **no. 10** and lock washer **no. 4**.

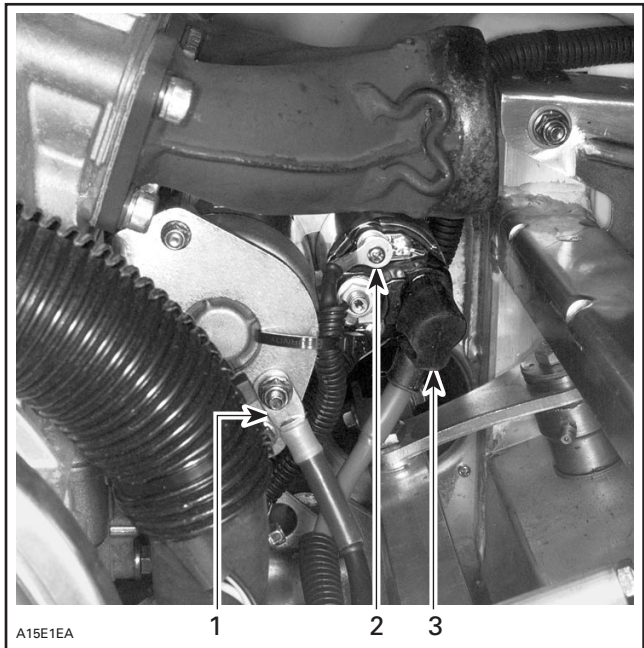
Wire/Cable Connections and Routing

Starting from starter location, route battery cables toward battery location along vehicle harness. The biggest hole of the RED positive cable connects to the starter.

Slide tubing **no. 35** protector cap **no. 18** (starter end of cable) and protector cap **no. 34** (battery end of cable) on RED positive battery cable **no. 17**. Install cable, flat washer M8 **no. 10**, lock washer M8 **no. 4** and nut M8 **no. 19** to starter solenoid, turn cable angle as much as possible towards the engine. Cover terminal with previously installed protector cap.

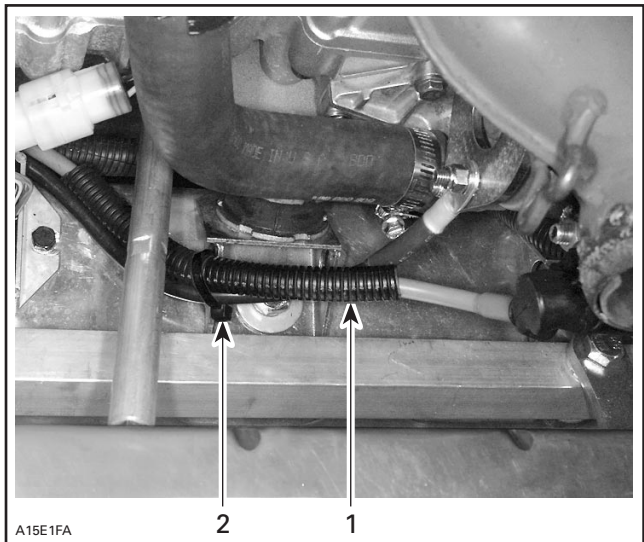
Connect and secure black wire with eyelet terminal, previously pulled from main harness, to starter solenoid.

Connect battery BLACK negative cable **no. 14** to starter bracket carriage bolt using star washer **no. 15** between bracket and terminal; secure with elastic nut **no. 16**.



1. BLACK negative cable connected to starter support MAG side
2. BLACK wire with eyelet terminal connected to solenoid
3. RED positive cable connected to solenoid

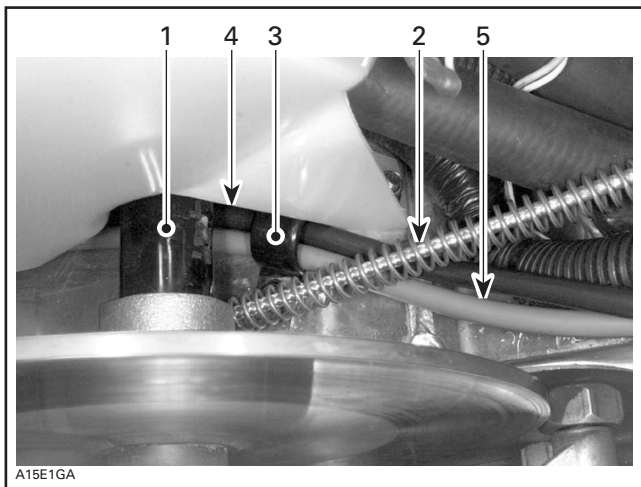
Route both cables toward battery alongside engine harness and secure with locking ties **no. 36** every 152 mm (6 in) more or less.



1. Tubing **no. 35**
2. Locking tie

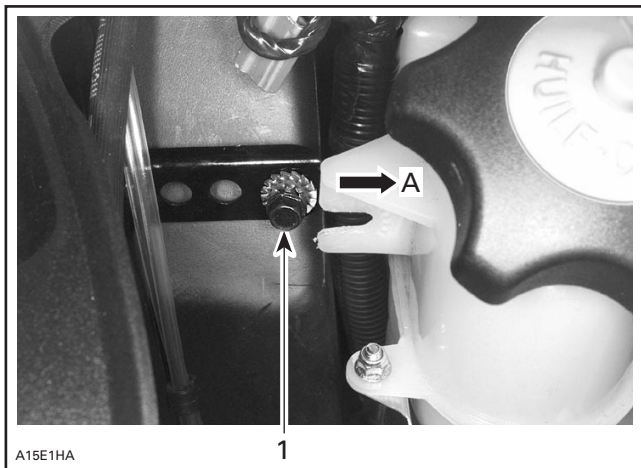
Cables must pass underneath rewind starter cord, under countershaft, behind oil reservoir and on top of choke cables, toward battery.

Drill a 5.12 mm (13/64 in) hole and retain both cables with clip **no. 21** at the rewind starter cord area, using self tapping screw **no. 20**.



1. Countershaft
2. Rewind starter rope
3. Clip no. 21
4. BLACK negative cable
5. RED positive cable

To ease cable routing, undo coolant reservoir retaining screw just enough to push reservoir forward a bit.



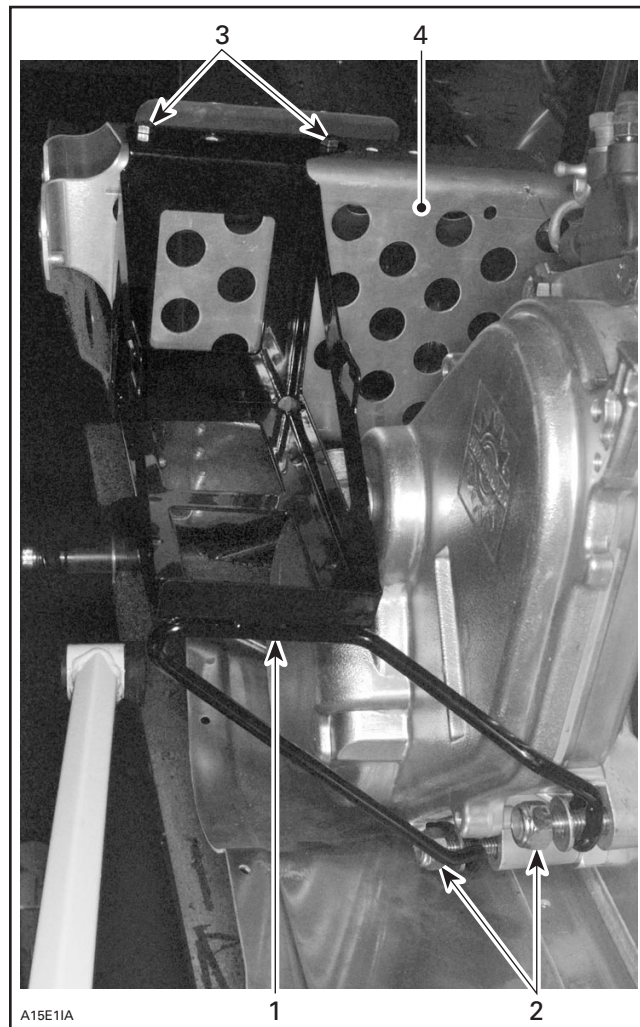
1. Loosen this bolt
- A. Move a bit forward

◆ WARNING

Ensure all terminals are properly crimped on wires/cables and that all connector housings are properly fastened. Keep wires away from any rotating, moving, heating, vibrating and sharp edge parts. Use proper fastening devices as required.

Battery and Rack

Remove 2 lower nuts retaining chaincase cover. Install battery rack no. 27 as shown and secure with 2 screws no. 31 and 2 elastic nuts no. 32 on top of right front foot rest and reinstall new chaincase cover nuts no. 33.



1. Battery rack
2. Change these 2 nuts
3. Secure with 2 screws no. 31 and 2 nuts no. 32
4. Footrest

Install battery no. 29 in rack, posts on engine side, with deflector no. 28.

Connect RED positive battery cable and RED wire with fuse (from ignition switch harness) to battery then connect BLACK ground cable. Secure BLACK negative cable in indentation of the battery retaining steel strip, engine side.

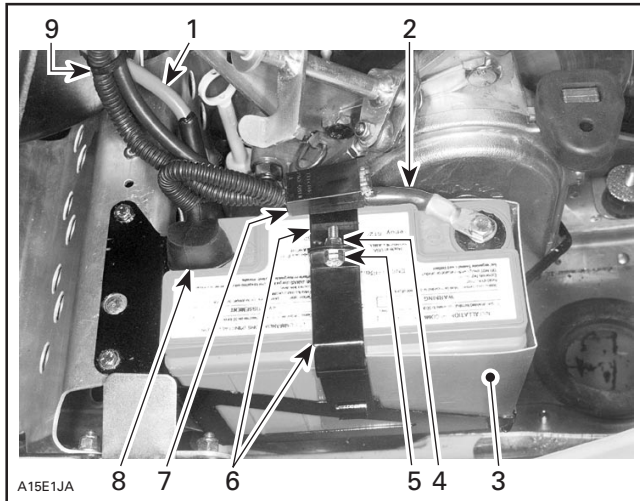
◆ WARNING

Always connect the battery cables exactly in the specified order. Connect RED positive cable first, then BLACK negative ground cable.

Secure battery in place with steel strips no. 30, hexagonal screw no. 31 and elastic stop nut no. 32.

Hook up fuse holder to retaining steel strip.

Fasten battery cables using a locking tie no. 37.



1. RED positive cable
2. BLACK negative cable
3. Deflector no. 28
4. Elastic stop nut no. 32
5. Hexagonal nut no. 31
6. Steel strips no. 30
7. Fuse holder
8. Protector cap no. 34
9. Locking tie

Finalizing Assembly

Refer to the appropriate *Ski-Doo Shop Manual* for proper reinstallation procedure.

Reinstall drive pulley.

Check pulley alignment.

◆ WARNING

Drive pulley alignment must always be checked whenever pulleys have been removed, replaced or disassembled.

Reinstall remaining removed parts not forgetting to secure coolant reservoir retaining screw.

NOTE: Apply Dow Corning sealer no. 736 RTV on exhaust manifold ball joint.

Test electrical starting and ignition cut-out systems as per normal starting procedure for electric starter models.

Decal

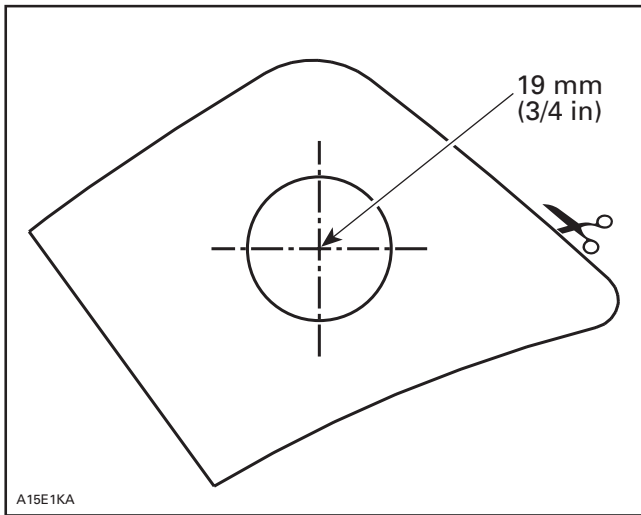
Clean decal region with soapy water or isopropyl alcohol using a soft clean cloth and dry thoroughly.

▼ CAUTION

Do not apply isopropyl alcohol on decal.

Remove backing from decal.

Apply decal no. 36 on left side of hood.



860 702 200

1.	515 175 217	Regulator/Rectifier	Régulateur/redresseur
2.	515 175 142	Starter Support PTO side	Support de démarreur, côté PDM
3.	222 082 065	Hexagonal Screw M8 x 20 (3)	Vis hexagonale M8 x 20 (3)
4.	224 781 140	Lock Washer M8 (6)	Rondelle-frein M8 (6)
5.	222 082 565	Hexagonal Screw M8 x 25 (2)	Vis hexagonale M8 x 25 (2)
6.	515 175 141	Starter	Démarreur
7.	515 175 143	Starter Support MAG side	Support de démarreur, côté MAG
8.	228 751 045	Flanged Elastic Nut M5 (2)	Écrou élastique à épaulement M5 (2)
9.	391 301 700	Flat Washer M6 (2)	Rondelle plate M6 (2)
10.	224 081 171	Flat Washer M8 (2)	Rondelle plate M8 (2)
11.	222 262 065	Carriage Bolt	Boulon de carrosserie
12.	417 300 057	Ring Gear	Couronne de lancement
13.	732 601 246	Self-Tapping Screw M8 x 16 (6)	Vis autotaraudeuse M8 x 16 (6)
14.	515 175 168	BLACK Negative Ground Cable	Câble de masse négatif NOIR
15.	394 001 900	Star Washer M6	Rondelle en étoile M6
16.	228 761 045	Flanged Elastic Nut M6	Écrou élastique à épaulement M6
17.	515 175 167	RED Positive Battery Cable	Câble positif de batterie ROUGE
18.	570 064 200	Protector Cap (at starter)	Capuchon de protection (démarreur)
19.	228 081 045	Hexagonal Nut M8	Écrou hexagonal M8
20.	732 601 120	Self-tapping Screw	Vis autotaraudeuse
21.	415 018 200	Clip	Attache
22.	515 175 171	Fusible Wiring Harness	Faisceau de fils de fusible
23.	410 111 300	Switch	Interrupteur
24.	394 103 300	Lock Washer	Rondelle-frein
25.	410 112 100	Face Nut	Écrou
26.	570 013 700	Switch Protector (not illustrated)	Cache d'interrupteur (non illustrée)
27.	515 175 243	Battery Seat	Siège de batterie
28.	515 175 363	Deflector	Défecteur
29.	410 301 200	Battery	Batterie
30.	515 175 169	Steel Strip (2)	Bande d'acier (2)
31.	222 051 665	Hexagonal Screw M5 x 16 (3)	Vis hexagonale M5 x 16 (3)
32.	228 751 045	Elastic Stop Nut M5 (3)	Écrou d'arrêt élastique M5 (3)
33.	228 501 045	Hexagonal Nut M10 (2)	Écrou hexagonal M10 (2)
34.	570 151 000	Protector Cap (at battery)	Capuchon de protection (batterie)
35.	415 079 900	Tubing	Tube
36.	418 001 300	Decal	Autocollant
37.	414 115 200	Locking Tie (8)	Attache (8)