



◆ **WARNING**

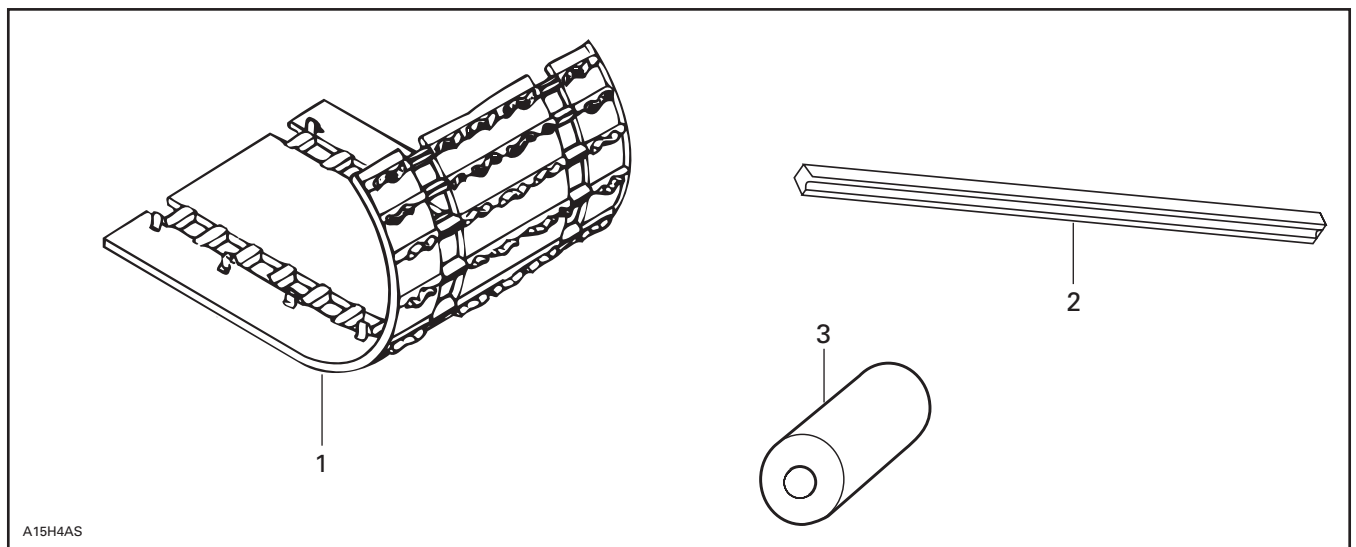
For safety reasons, this kit must be installed by an authorized Bombardier snowmobile dealer. Should removal of a locking device be required when undergoing disassembly/assembly, always replace with a new one. This instruction sheet should be given to the purchaser. This kit is designed for specific applicable models only.

NOTE: Installation time is approximately 2.5 hours.

▼ **CAUTION**

This kit is designed for deep snow application only. It is not recommended for vehicles other than those for which it was sold.

PARTS TO BE INSTALLED



1. Track
2. Radiator protector (2)
3. Plastic Bushing (2)

VEHICLE PREPARATION

NOTE: If additional information is required, refer to *Ski-Doo Shop Manual*, Section 07 for proper removal/installation procedures.

Raise rear of vehicle and block safely.

Remove rear suspension and track.

Discard track.

Remove snow guard. Drill rivets using a 5 mm (3/16 in) drill bit.

Do not discard snow guard.

INSTALLATION

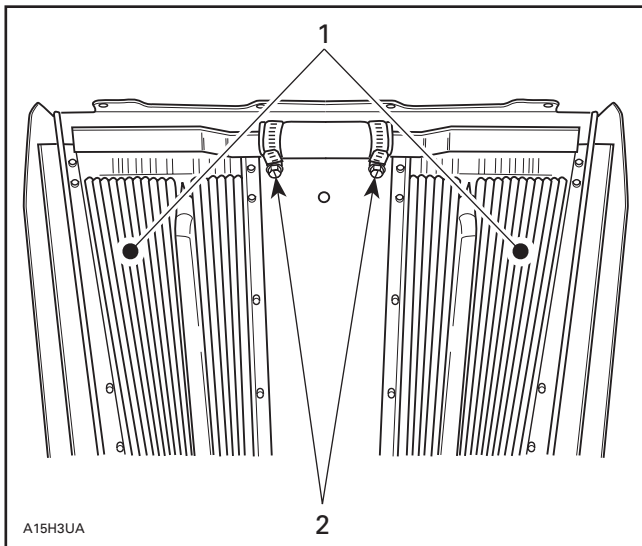
▼ CAUTION

Depressurize cooling system before loosening gear clamp screws.

From underneath tunnel, ensure that the gear clamp screw heads securing the hose between the radiators are pointing toward the front of vehicle. Reposition as necessary. To avoid disconnecting hose, unscrew collar completely, remove and rotate. Reinstall and tighten firmly.

Install radiator protectors **no. 2**.

Close radiator ends using pliers.



1. Radiators
2. Screw heads must be facing forward

Install new track **no. 1** paying close attention to the direction of rotation.

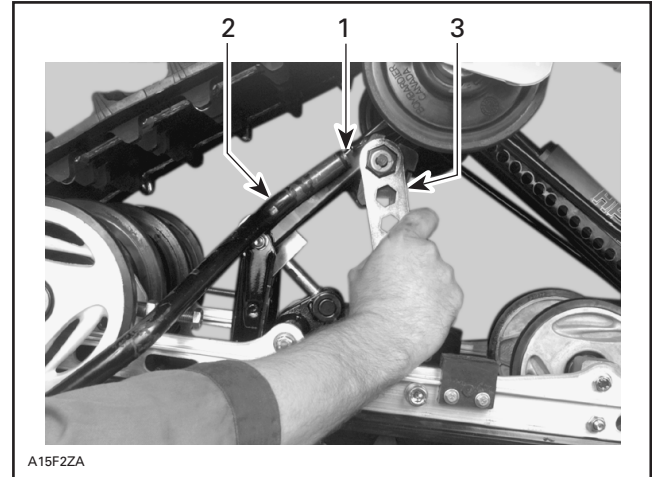
SC-10 Suspension (High Performance, Cross-Country)

Unscrew set screws from locking ring at each end of the top axle.

Remove locking rings and top idler wheels.

Remove spring ends from adjusting cams as follows:

Slightly turn adjusting cam to expose spring end. Use spring installer (P/N 529 005 000), remove spring end from adjusting cam to remove spring tension.



1. Spring end
2. Tool
3. Turn the cam

Remove existing plastic bushings (1 on each side).

Install new bushings **no. 3**.

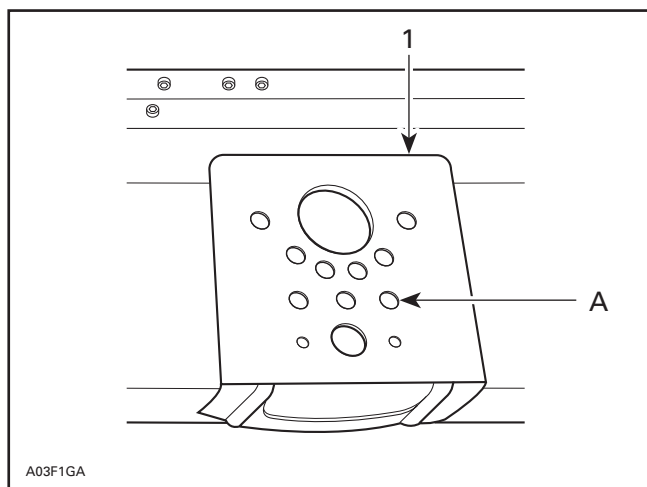
Reinstall spring end in cam using tool and adjust cam.

Reinstall idler wheels and locking rings.

Tighten set screws.

Pay attention to move the middle arm upper axle assembly down on the front bracket.

Drill hole **A** to 8.4 mm (21/64 in), refer to the following illustration.



FRONT BRACKET LH SIDE SHOWN

- 1. Template (existing bracket)
- A. 8.4 mm (21/64 in)

Reinstall rear suspension in tunnel using same holes on rear bracket.

◆ CAUTION

Never use the lower hole in the bracket to secure the rear suspension arm. Damage to the tunnel may occur.

C-7 Suspension

Position bolt in same hole on rear bracket.

All Suspensions

Refill chaincase with Bombardier synthetic chaincase oil (P/N 413 802 800).

Install snow guard.

Perform chain tension adjustment as well as track tension and alignment.

Test snowmobile.

861 770 400

1.	504 151 820	Track	Chenille
2.	415 012 300	Radiator Protector (2)	Protecteur de radiateur (2)
3.	572 086 100	Plastic Bushing (2)	Douille de plastique (2)