

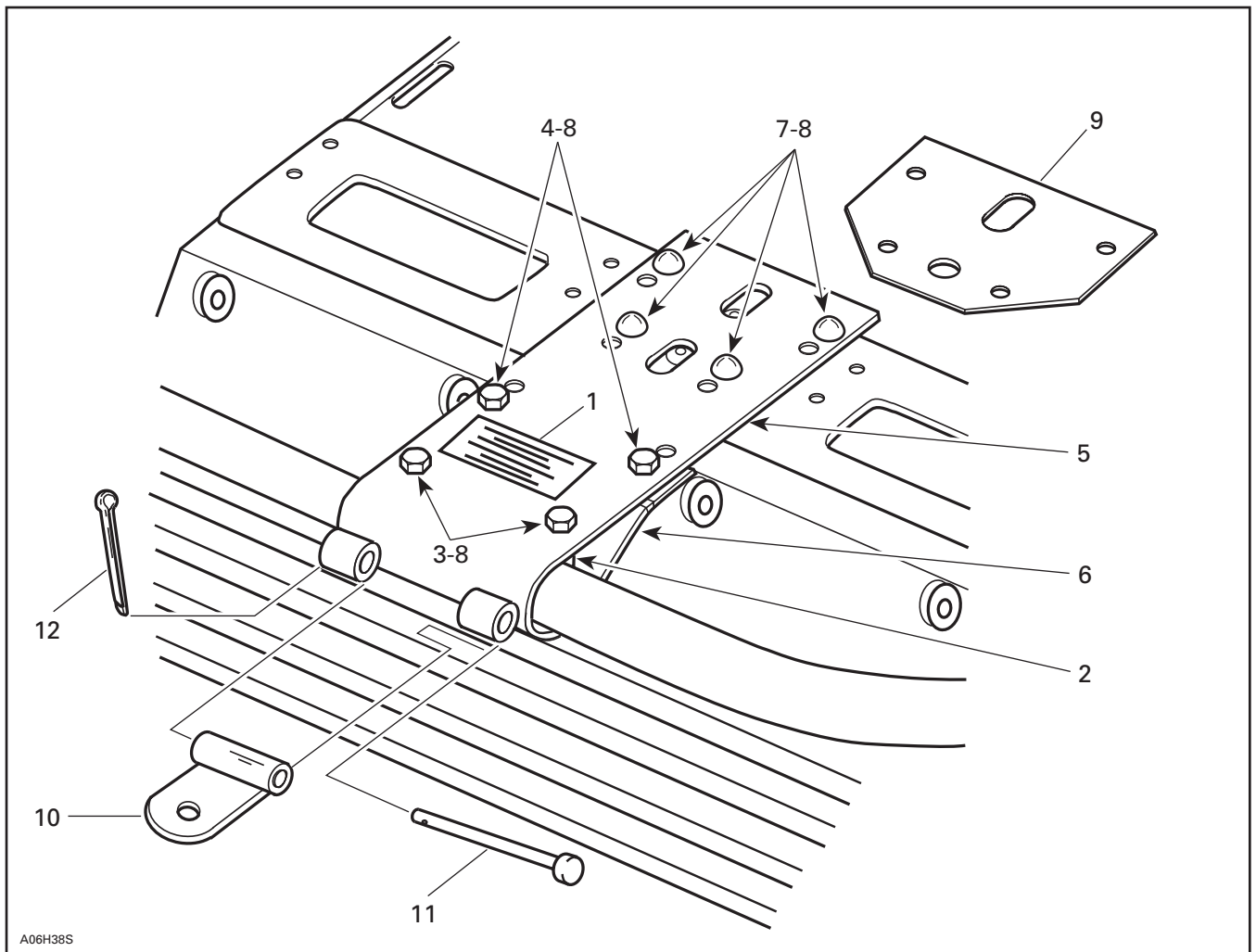


◆ WARNING

For safety reasons, this kit must be installed by an authorized Bombardier snowmobile dealer. Should removal of a locking device be required when undergoing disassembly/assembly, always replace with a new one. This instruction sheet should be given to the purchaser. This kit is designed for specific applicable models only. It is not recommended for vehicles other than those for which it was sold.

NOTE: Installation time is approximately 0.5 hour.

PARTS TO BE INSTALLED



A06H38S

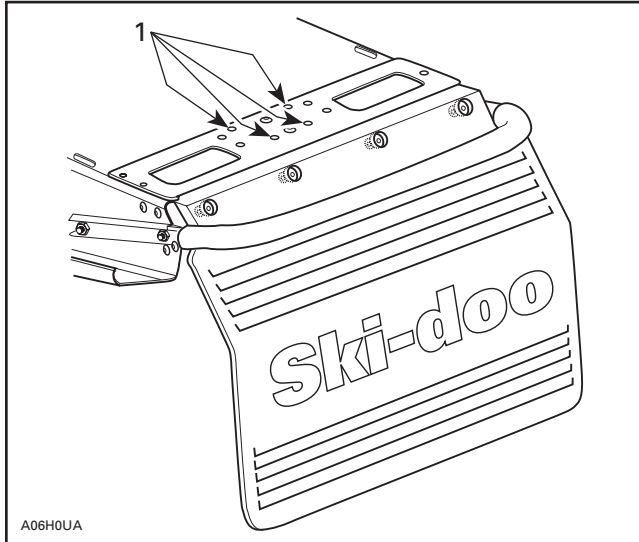
- | | |
|---------------------|------------------------------|
| 1. Label | 7. Carriage Bolt M6 x 20 (4) |
| 2. Spacer (2) | 8. Nut M6 (8) |
| 3. Bolt M6 x 50 (2) | 9. Inner Plate |
| 4. Bolt M6 x 18 (2) | 10. Hitch Plate |
| 5. Support | 11. Clevis Pin |
| 6. Outer Plate | 12. Cotter Pin |

PROCEDURE

Remove seat (short tunnel model only).

NOTE: For all model equipped with a rear molding, cut molding to provide hitch opening.

Using the 4 pre-drilled holes in the end caps as guide, drill through the tunnel using a 6.5 mm (1/4 in) drill bit. See illustration.



1. Pre-drilled holes

▼ CAUTION

Care must be taken to only drill in designated areas. Damage to the heat exchangers could occur if drilling outside this area.

Install inner plate **no. 9** and support **no. 5** using carriage bolts **no. 7** and nuts **no. 8**.

Install outer plate **no. 6** with spacers **no. 2**, bolts **no. 3** and **no. 4** as well as nuts **no. 8**.

NOTE: Outer plate mounts with oval holes toward front.

Install hitch plate **no. 10** with clevis pin **no. 11** and cotter pin **no. 12**.

Reinstall seat.

NOTE: Make sure hitch plate swings freely on hitch bracket.

Affix warning label **no. 1** to hitch.

On vehicles equipped with upper molding, cutting upper molding will be required to clear hitch support.

NOTE: A hook-type hitch kit (P/N 861 722 500) is available for converting the present kit.

861 769 500

1.	414 998 500	Label	Étiquette
2.	517 191 700	Spacer (2)	Entretoise (2)
3.	207 065 044	Bolt M6 x 50 (2)	Boulon M6 x 50 (2)
4.	207 161 844	Bolt M6 x 18 (2)	Boulon M6 x 18 (2)
5.	511 000 019	Support	Support
6.	511 000 022	Outer Plate	Plaque extérieure
7.	207 762 044	Carriage Bolt M6 x 20 (4)	Boulon de carrosserie M6 x 20 (4)
8.	233 261 414	Nut M6 (8)	Écrou M6 (8)
9.	517 256 100	Inner Plate	Plaque intérieure
10.	517 008 700	Hitch Plate	Plaque d'attelage
11.	505 001 700	Clevis Pin	Axe de chape
12.	371 800 200	Cotter Pin	Goupille fendue