

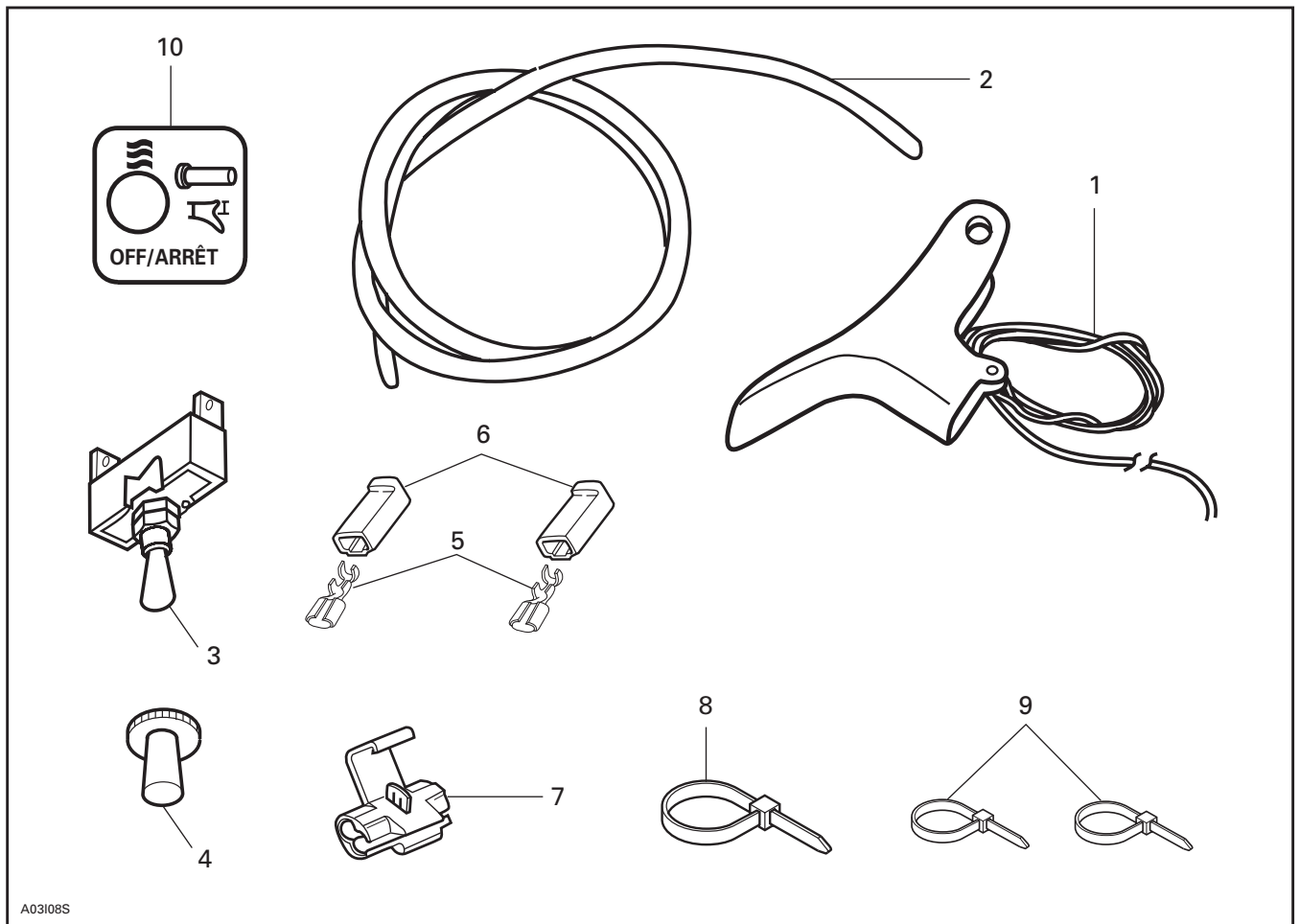


◆ WARNING

For safety reasons, this kit must be installed by an authorized Bombardier snowmobile dealer. Should removal of a locking device be required when undergoing disassembly/assembly, always replace with a new one. This instruction sheet should be given to the purchaser. This kit is designed for specific applicable models only. It is not recommended for vehicles other than those for which it was sold.

NOTE: Installation time is approximately 0.5 hour.

PARTS TO BE INSTALLED



1. Heated Throttle Lever
2. Plastic Tube
3. Switch
4. Switch Cover
5. Connector (2)

6. Connector Housing (2)
7. Joint Connector (2)
8. Tie-rap
9. Tie-rap (2)
10. Decal

INSTRUCTIONS

Insert heating throttle lever wires through plastic tube **no. 2**.

NOTE: To ease insertion, spray inner part of plastic tube with soapy water.

Remove stopper from throttle lever using long nose pliers.

Remove circlip from throttle cable to release it from throttle lever housing.

Remove throttle lever pin. Once lever is free, remove throttle cable from lever.

NOTE: Throttle housing cover can be removed to ease routing of wires.

Reinstall throttle cable into new heated throttle lever **no. 1**.

Pass wires through throttle lever housing first then install new lever by reinserting pin.

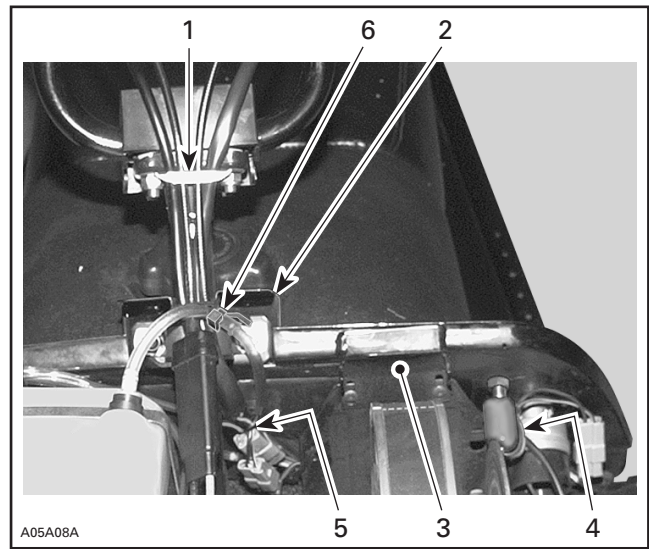
Reinstall stopper on lever.

◆ WARNING

Make sure wires do not interfere with smooth operation of throttle lever.

Route wires through retaining support in front of steering column, cut large tie-rip to ease passage of wiring harness through plate and finally route harness behind upper column support.

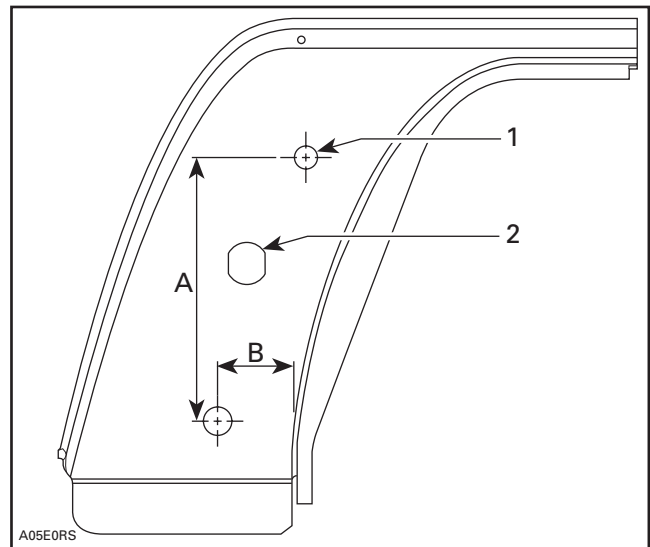
Install locking ties **no. 8** and **no. 9** as illustrated.



- 1. Retaining support
- 2. Plate
- 3. Upper column support
- 4. To voltage regulator
- 5. Locking tie **no. 9**
- 6. Locking tie **no. 8** (replaces existing locking tie)

NOTE: Pass locking tie through slots on plate.

Drill a 12.3 mm (31/64 in) hole as illustrated.



- 1. Cut-out switch existing hole
- 2. Existing hole (Tundra R only)
- A. 120 mm (4-3/4 in)
- B. 35 mm (1-3/8 in)

Apply decal **no. 10**.

Remove one of the switch nuts. Install switch **no. 3** and switch cover **no. 4**.

Install connector **no. 5** and connector housing **no. 6** to the end of brown wire from throttle lever.

Connect to switch at the OFF position.

Use a YELLOW wire 10 cm (4 in) long (not included in kit). Install other connector **no. 5** and other connector housing **no. 6** at one end of YELLOW wire and connect to the ON position of switch.

Install joint connector **no. 7** at other end of YELLOW wire and connect to YELLOW wire on voltage regulator.

Install other joint connector **no. 7** to YELLOW/BLACK ground wire and connect to BLACK wire on voltage regulator.

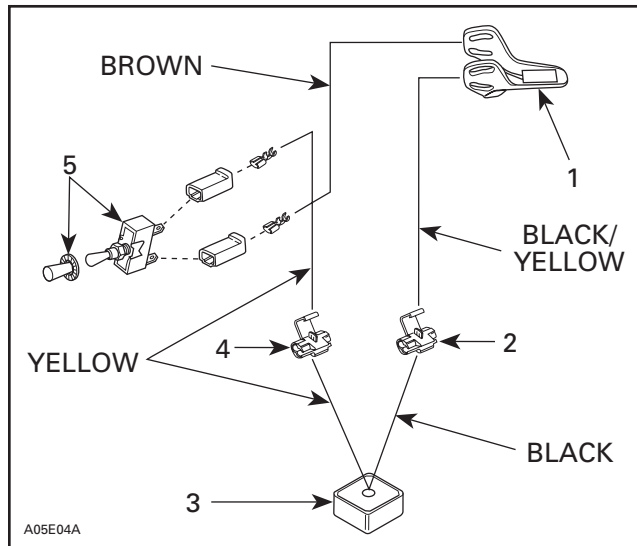
Connect wires as illustrated below.

Install locking tie **no. 9** to hold wires near voltage regulator.

◆ WARNING

Ensure all terminals are properly crimped on wires and that all connector housings are properly fastened. Keep wires away from any rotating, moving, heating and vibrating parts. Use proper fastening devices as required.

Heating Throttle Circuit



1. Heating throttle
2. Joint connector
3. Voltage regulator
4. Joint connector
5. Heating throttle switch

Test operation of heated throttle lever for proper functioning and heating.

861 7694 00

1.	512 059 054	Heating Throttle Lever	Levier d'accélérateur chauffant
2.	409 901 100	Plastic Tube	Tube de plastique
3.	410 110 700	Switch	Interrupteur
4.	570 013 900	Switch Cover	Couvercle d'interrupteur
5.	561 503 100	Connector (2)	Raccord femelle (2)
6.	409 204 800	Connector Housing (2)	Logement de raccords (2)
7.	409 900 400	Joint Connector (2)	Cosse de raccordement (2)
8.	414 115 200	Tie-rap	Attache
9.	748 001 000	Tie-rap (2)	Attache (2)
10.	414 996 100	Decal	Autocollant