

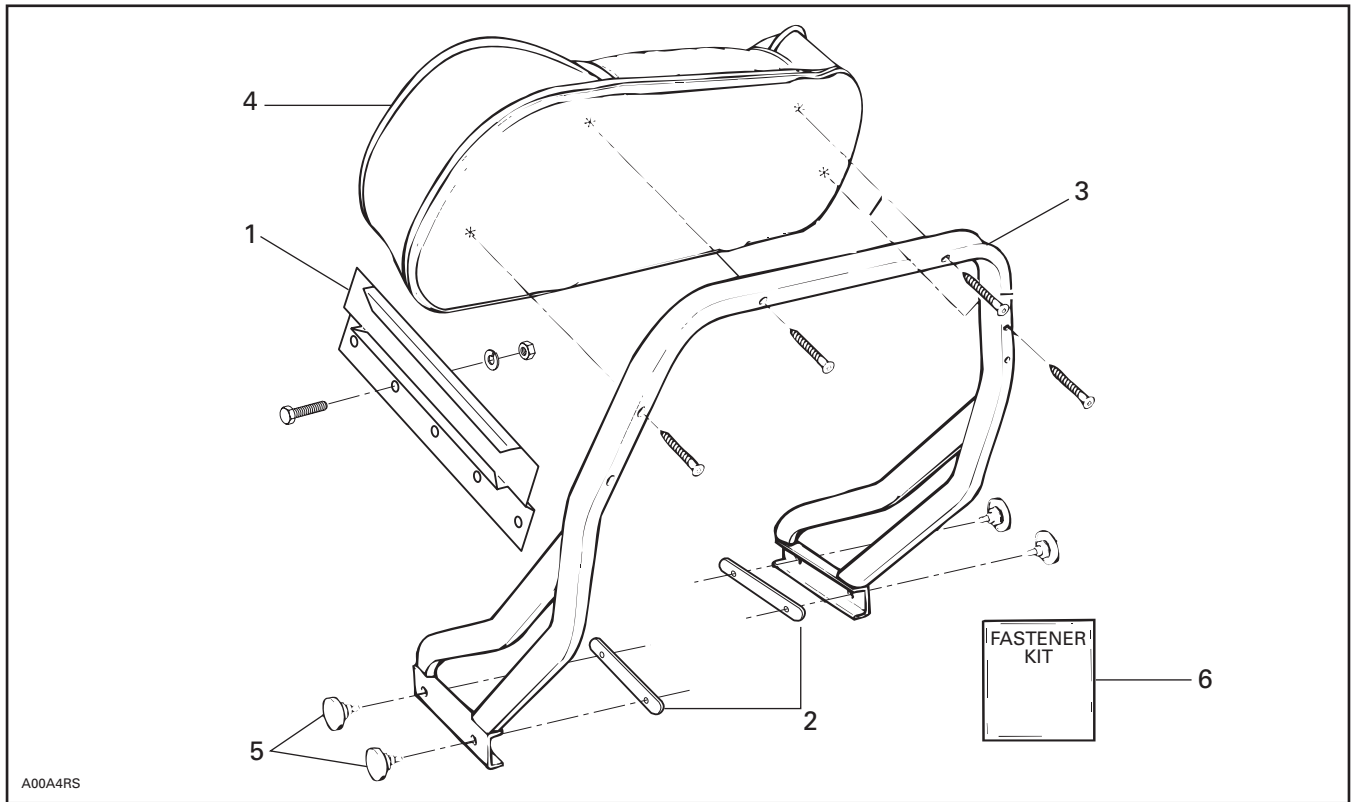


◆ WARNING

For safety reasons, this kit must be installed by an authorized Bombardier Ski-Doo snowmobile dealer. Should removal of a locking device be required when undergoing disassembly/assembly, always replace with a new one. This instruction sheet should be given to the purchaser after modification. This kit is designed for specific applicable models only. It is not recommended for snowmobiles other than those for which it was sold.

NOTE: Installation time is approximately 1.0 hour.

PARTS TO BE INSTALLED



- 1. Rail (2)
- 2. Sliding Plate (2)
- 3. Backrest Frame
- 4. Cushion
- 5. Adjustable Knob (4)
- 6. Mounting Hardware (Bag containing Bolts, Washers, Nuts and Wood Screws)

INSTALLATION

Lean one rail **no. 1** on side of tunnel so that front upper corner of rail is aligned with front edge of seat as per following photo.



RIGHT SIDE VIEW

1. Positioning of rail
- A. Allow a 6.5 mm (1/4 in) gap

Make sure to allow a 6.5 mm (1/4 in) gap between bottom edge of seat and angle in rail.

Hold rail firmly and using a punch, mark the front hole on the side of the tunnel for drilling references. Drill a 6.5 mm (1/4 in) hole in tunnel and temporarily secure rail in place. Repeat procedure with rear hole respecting the gap between bottom edge of seat and angle in rail. Secure rail properly.

Using rail as a template, drill remaining holes in tunnel.

◆ WARNING

Be careful not to drill heat exchangers underneath frame.

Secure rail with mounting hardware from bag **no. 6**. Insert bolts from outside and then washers and nuts from inside. Tighten firmly.

NOTE: Wood screws from mounting hardware bag will be used later in the installation.

Repeat procedure for other side using other rail **no. 1**.

Insert sliding plates **no. 2** into rails, backrest frame **no. 3** onto rails and install adjustable knobs **no. 5**. Tighten knobs loosely.

Slide backrest frame forward and backward to assure rails are parallel and that frame movement is unobstructed.

Position cushion **no. 4** on backrest frame so that it is centered both from side to side and top to bottom.

Secure cushion with wood screws from bag **no. 6**.

Apply a light coat of grease on sliding surface of rails.

Adjust backrest to desired position and tighten adjustment knobs.

◆ WARNING

Periodically check the adjustment knobs to assure that they are tight.

861 7654 00

➡	1.	<u>510 003 545</u>	Rail (2)	Rail (2)
	2.	414 735 900	Sliding Plate (2)	Plaque Coulissante (2)
➡	3.	<u>510 003 546</u>	Backrest Frame	Châssis de dossier
➡	4.	<u>510 003 547</u>	Cushion	Coussin
	5.	414 718 300	Adjustable Knob (4)	Bouton réglable (4)
	6.	510 003 548	Mounting Hardware (Bag containing Bolts, Washers, Nuts and Wood Screws)	Dispositifs de fixation (sac contenant les boulons, les rondelles, les écrous et les vis à bois)