

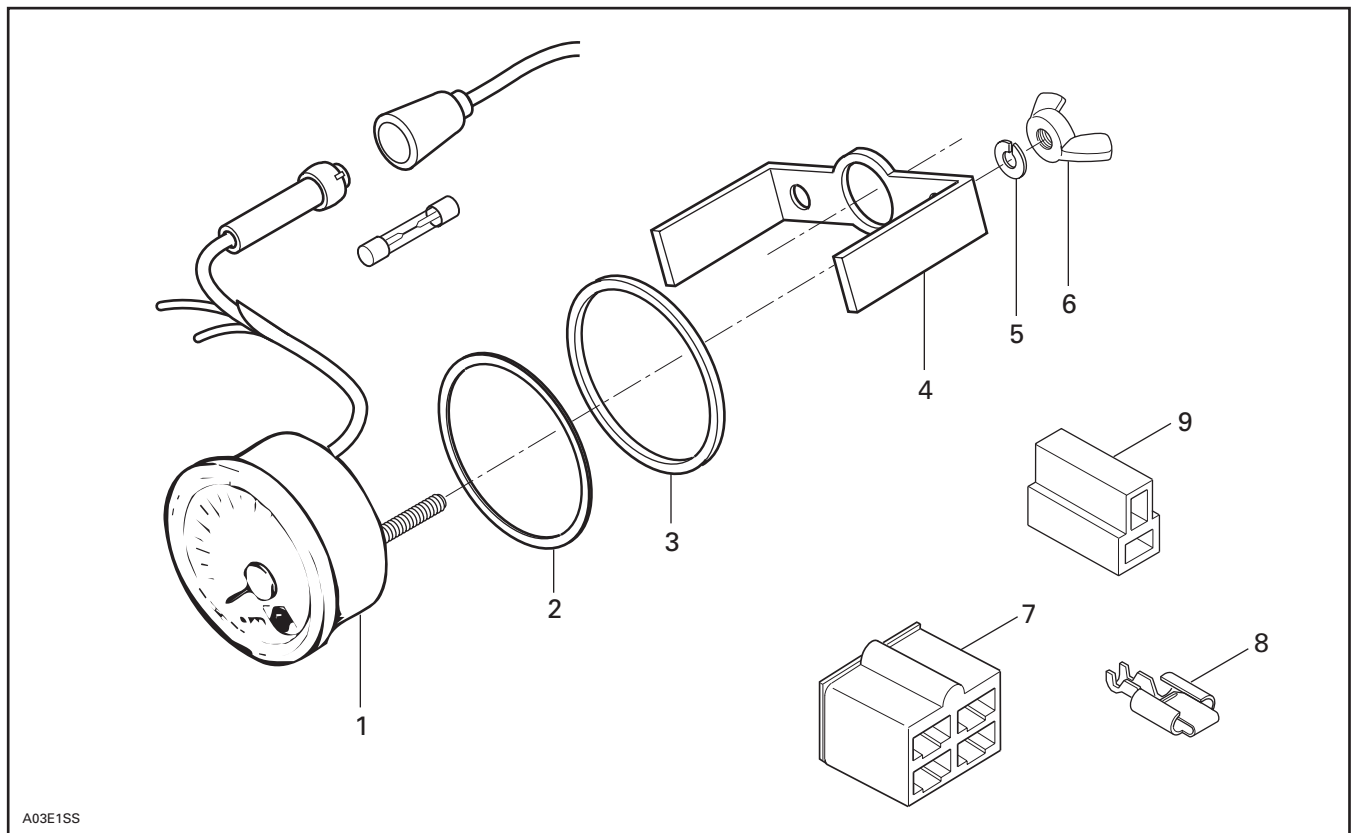


◆ WARNING

For safety reasons, this kit must be installed by an authorized Bombardier snowmobile dealer. Should removal of a locking device be required when undergoing disassembly/assembly, always replace with a new one. This instruction sheet should be given to the purchaser. This kit is designed for specific applicable models only. It is not recommended for vehicles other than those for which it was sold.

NOTE: Installation time is approximately 0.4 hour.

PARTS TO BE INSTALLED



- | | |
|--------------------|-------------------------------|
| 1. Tachometer | 6. Wing Nut (2) |
| 2. O-Ring | 7. 4-connector Female Housing |
| 3. Plate | 8. Female Terminal (4) |
| 4. Support | 9. 2-connector Female Housing |
| 5. Lock Washer (2) | |

PROCEDURE

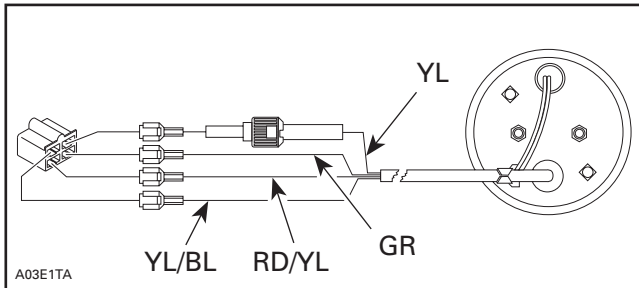
Disconnect battery (if equipped).

◆ WARNING

Always disconnect battery cables exactly in the specified order. Disconnect BLACK negative ground cable first, then RED positive cable.

Models Prior to 1998

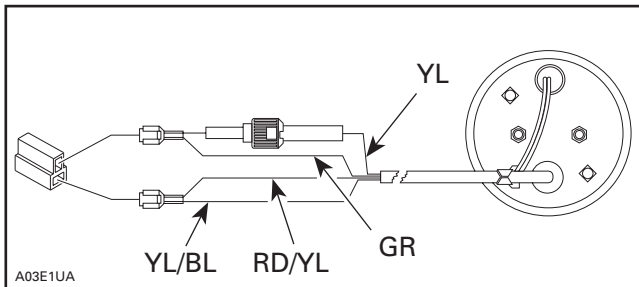
Install **no. 8** terminals on gauge wires and insert into connector housing **no. 7** as per following illustration.



1. Female terminal
2. 4-connector housing

Starting with 1998 Models

Install **no. 8** terminals on gauge wires and insert into connector housing **no. 9** as per following illustration.



1. Female terminal
2. 2-connector housing

All Models

Using drilling template, found on the last page of this bulletin, drill an 80 mm (3-1/8 in) hole on the dashboard.

▼ CAUTION

Ensure there are no wires behind dashboard that might be damaged.

Install O-ring **no. 2** on tachometer **no. 1**, then install into dashboard.

Install plate **no. 3**, then gauge support **no. 4**.

Install lock washers **no. 5** and then secure with wing nuts **no. 6**.

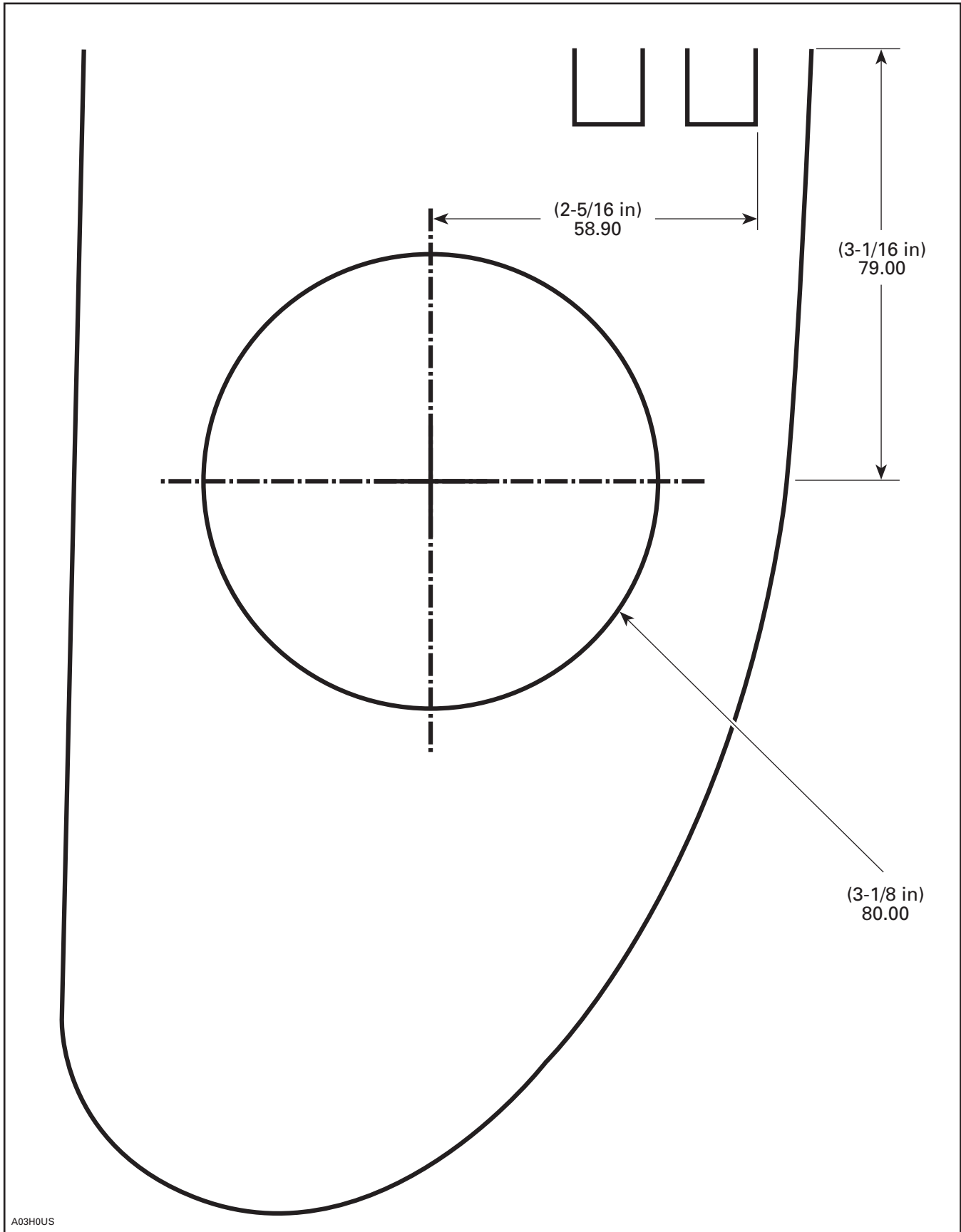
Connect housings.

Connect battery cables.

◆ WARNING

Connect RED positive cable FIRST, then BLACK negative cable.

Test tachometer operation.



861 7605 00

1.	414 726 600	Tachometer	Tachymètre
2.	414 187 200	O-ring	Joint torique
3.	414 187 300	Plate	Plaque
4.	414 187 400	Support	Support
5.	399 802 300	Lock Washer (2)	Rondelle-frein (2)
6.	414 070 300	Wing Nuts (2)	Écrou à oreilles (2)
7.	409 204 900	4-connector Female Housing	Logement de raccord femelle à 4 circuits
8.	561 503 200	Female Terminal (4)	Raccord femelle (4)
9.	409 204 600	2-connector Female Housing	Logement de raccord femelle à 2 circuits