

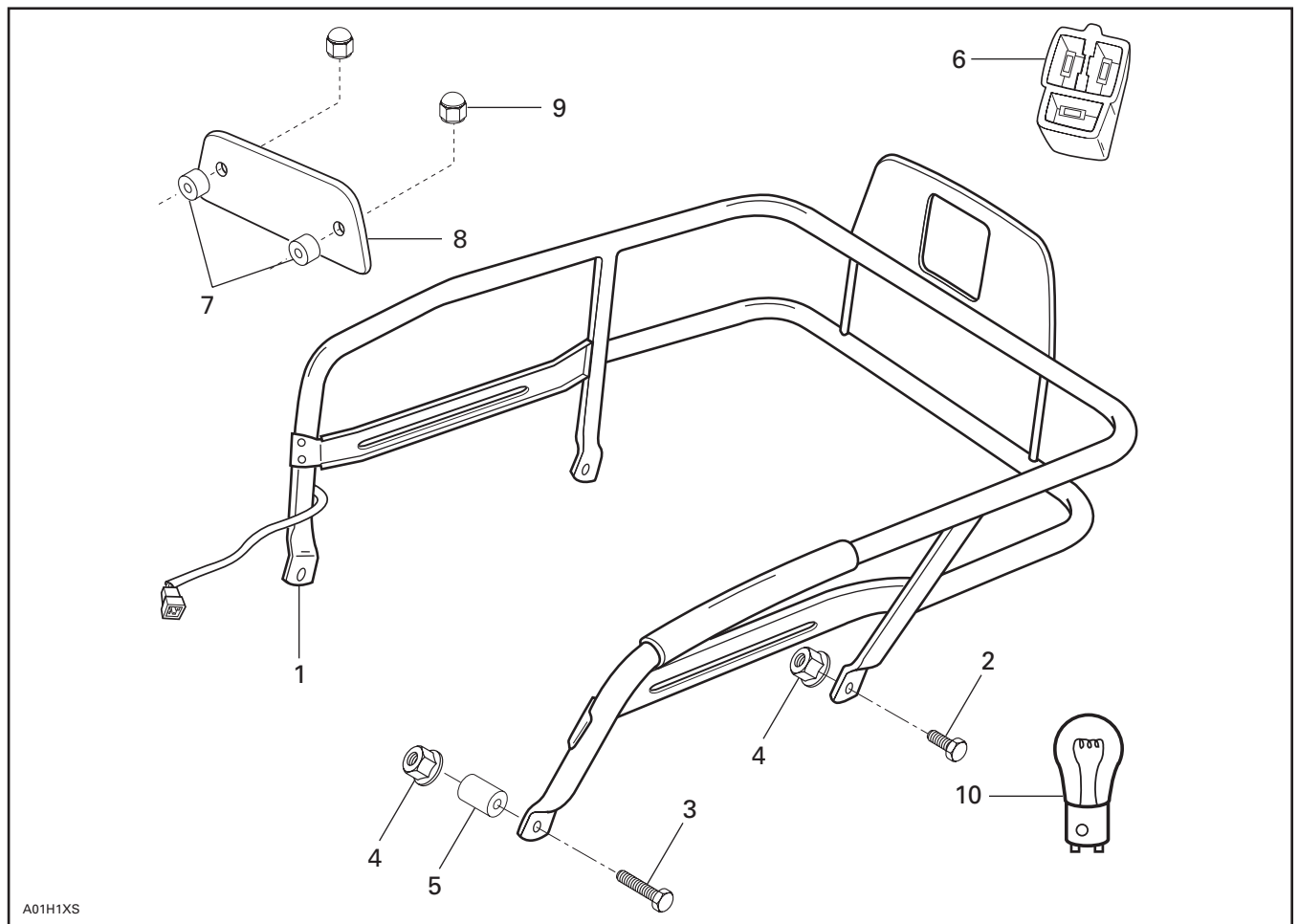


◆ WARNING

For safety reasons, this kit must be installed by an authorized Bombardier Ski-Doo snowmobile dealer. Should removal of a locking device be required when undergoing disassembly/assembly, always replace with a new one. This instruction sheet should be given to the purchaser after modification. This kit is designed for specific applicable models only. It is not recommended for snowmobiles other than those for which it was sold.

NOTE: Installation time is approximately 1.0 hour.

PARTS TO BE INSTALLED



A01H1XS

- | | |
|------------------------------------|----------------------|
| 1. Luggage Rack Assy. | 6. Connector Housing |
| 2. Hex. Bolt M8 x 20 (2) | 7. Spacer (2) |
| 3. Hex. Bolt M8 x 30 (2) | 8. Plastic Cover |
| 4. Flanged Elastic Hex. Nut M8 (4) | 9. Dome Nut M5 (2) |
| 5. Spacer (2) | 10. Tail Light Bulb |

VEHICLE PREPARATION

Remove tail light assembly from seat. Keep bolts, nuts and washers.

Remove seat and moldings.

Remove tab connectors from tail light connector block.

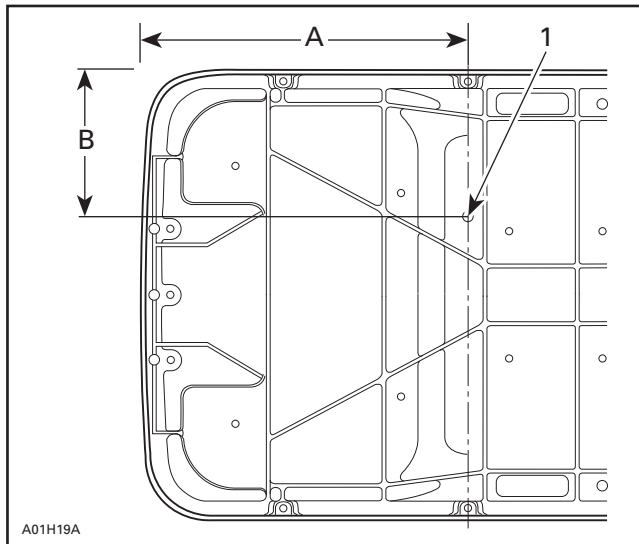
Remove staples 300 mm (1 foot) in length from the right rear corner and moving forward along the side of the seat.

Remove staples 140 mm (5-1/2 in) in length from rear of seat.

INSTALLATION

Drill a 25 mm (1 in) hole in bottom of seat.

Refer to the following illustration.



1. Drill hole here
- A. 300 mm (1 foot)
- B. 140 mm (5-1/2 in)

Reroute tail light harness to the previously drilled hole by passing it through the foam in the seat.

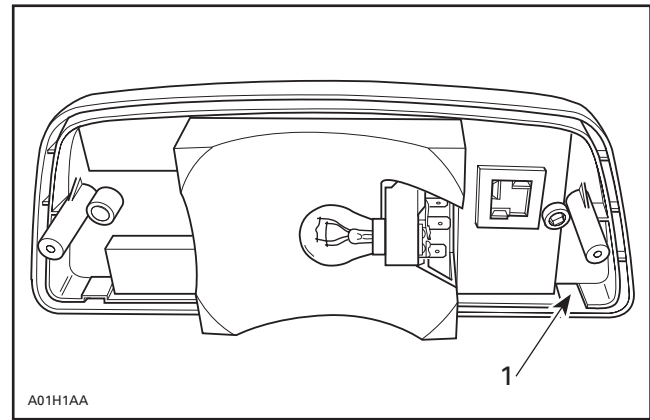
NOTE: Remove more staples if required for easier access.

Pull harness through the hole then install connector housing **no. 6**. Be sure to match proper wire colors by referring to the colors of the connector at front of seat.

Restaple seat cover.

Install spacers **no. 7**, plastic cover **no. 8** and dome nuts **no. 9** on the seat in the previous tail light location. If necessary, install washers (P/N 517 1243 00), not supplied in this kit.

Cut the plastic clip on the right side of the tail light housing using a pair of side cutters. Only cut the plastic recess, as shown in the following illustration.



1. Cut here

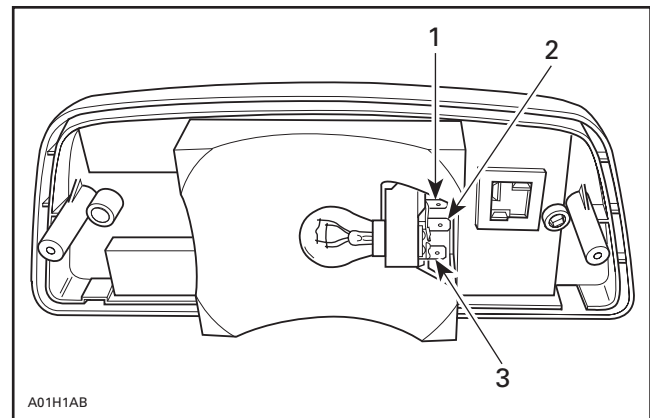
Remove short wires between light connector and tail light housing.

Route luggage rack wires through previously cut tail light housing and connect tabs directly to light connectors.

Connect wires as follows.

WIRE COLOUR	CONNECTOR LOCATION
WHITE	UPPER
YELLOW/BLACK	MIDDLE
YELLOW	LOWER

Remove existing tail light bulb and replace with new one supplied in this kit **no. 10**.



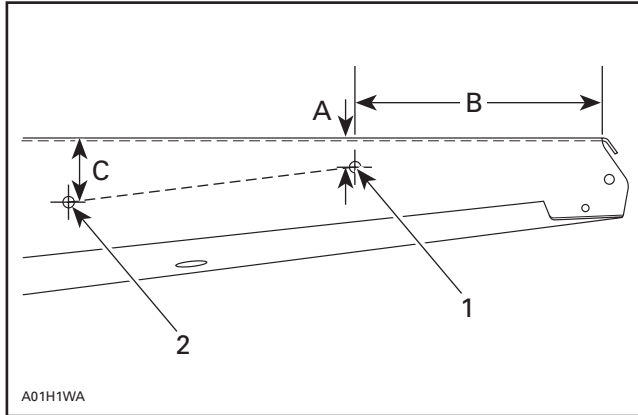
1. WHITE
2. YELLOW/BLACK
3. YELLOW

Reinstall tail light housing on rack using existing bolts, nuts and washers that were previously removed.

Locate rear hole positioning, shown by number 1 in the following illustration. Drill an 8.5 mm (21/64 in) hole through the tunnel as well as through its reinforcement on each side.

▼ CAUTION

Use extreme caution when drilling, do not pierce heat exchangers. Use a thin block of wood as a backing plate when drilling.



1. Drill first hole here
2. Drill second hole here
- A. 25 mm (1 in) from top
- B. 170 mm (6-51/64 in) from rear
- C. 50 mm (2 in) from top

Install rear mounts of luggage rack **no. 1** on the vehicle with bolts **no. 2**, and flanged elastic hex. nuts **no. 4**. Hand tighten.

Lean rack forward until front mount attaching holes align at 50 mm (2 in) from top of tunnel and drill an 8.5 mm (21/64 in) hole through tunnel on each side.

Install bolts **no. 3**, spacers **no. 5** and flanged elastic hex. nuts **no. 4**. Do not tighten yet.

Plug tab connectors for tail light.

Reinstall seat assuring that connectors are properly tucked into the seat and that there is no gap between seat and top of tunnel.

Firmly tighten seat and luggage rack.

Cut moldings to fit around rack tubes.

Reinstall moldings.

Finally, test tail light and brake light for proper operation.

861 7627 00

1.	580 6342 00	Luggage Rack Assy.	Porte-bagages (complet)
2.	222 0820 65	Hex. Bolt M8 x 20 (2)	Boulon hexagonal M8 x 20 (2)
3.	222 0830 65	Hex. Bolt M8 x 30 (2)	Boulon hexagonal M8 x 30 (2)
4.	228 7810 45	Flanged Elastic Hex. Nut M8 (4)	Écrou d'arrêt élastique hex. à épaulement M8 (4)
5.	514 0354 00	Spacer (2)	Entretoise (2)
6.	409 2043 00	Connector Housing	Logement de raccord
7.	517 2236 00	Spacer (2)	Entretoise (2)
8.	414 9765 00	Plastic Cover	Couvercle de plastique
9.	732 6100 62	Dome Nut (M5) (2)	Écrou-capuchon (M5) (2)
10.	410 5041 00	Tail Light Bulb	Ampoule de feu arrière