

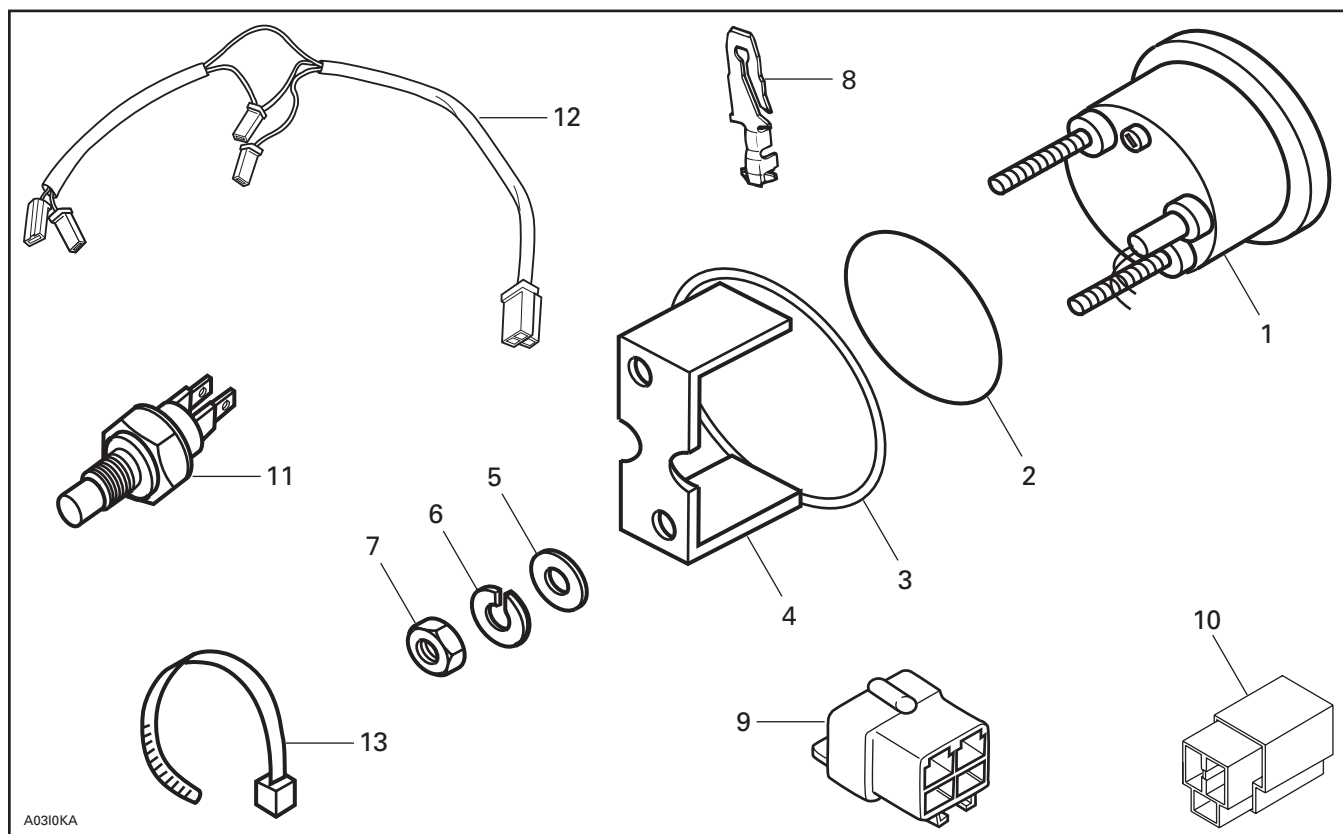


### ◆ WARNING

For safety reasons, this kit must be installed by an authorized Bombardier Ski-Doo snowmobile dealer. Should removal of a locking device be required when undergoing disassembly/assembly, always replace with a new one. This instruction sheet should be given to the purchaser after modification. This kit is designed for specific applicable models only. It is not recommended for snowmobiles other than those for which it was sold.

NOTE: Installation time is approximately 0.5 hour.

### PARTS TO BE INSTALLED



1. Temperature Gauge WHITE
2. Gauge Packing
3. Formed Washer
4. Gauge Holder
5. Flat Washer (2)
6. Lock Washer (2)
7. Nut (2)

8. Male Connector (4)
9. 4-connector Housing
10. 3-connector Housing
11. Sender Unit
12. Wiring Harness
13. Locking Tie

# INSTRUCTIONS FOR MODELS EQUIPPED WITH 583 ENGINE

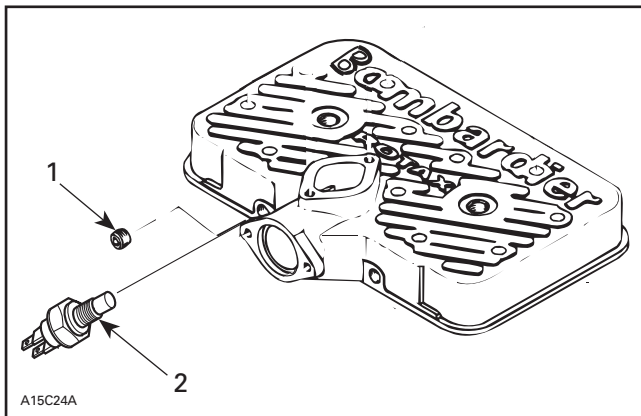
## Temperature Sender

### ◆ WARNING

This procedure must be performed when engine is cold and turned off.

Apply pipe sealant (P/N 413 7023 00) on threads of new sender no. 11.

**NOTE:** The new sender is a variable resistor instead of a thermo-switch.



1. Allen machine screw
2. Sender

Unscrew Allen machine screw from left side of engine water outlet and quickly plug hole using your finger until ready to install new sender.

Install new sender, and torque to 6 N•m (53 lbf•in).

Disconnect and discard old sender electrical harness.

Connect new wiring harness no. 12 to each (new and old) sender. Connect the other end to the 3-connector housing.

**NOTE:** New and old circuits are the same.

# INSTRUCTIONS FOR MODELS EQUIPPED WITH 670 ENGINE OR 494 ENGINE

## Temperature Sender

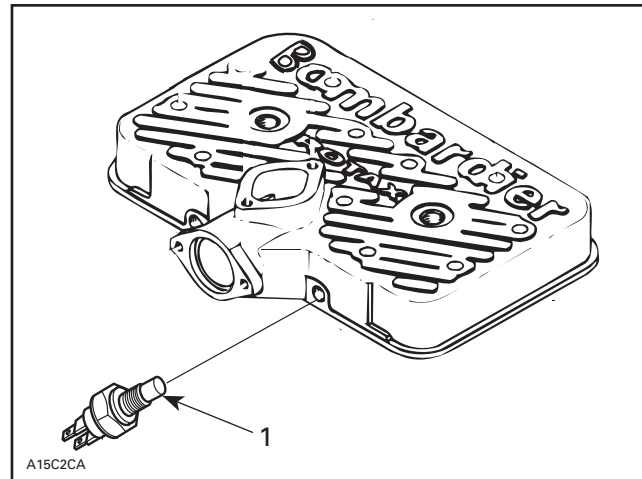
### ◆ WARNING

This procedure must be performed when engine is cold and turned off.

Disconnect connectors from temperature sender on engine.

Apply pipe sealant (P/N 413 7023 00) on threads of new sender no.11.

**NOTE:** The new sender is a variable resistor instead of a thermo-switch.



1. Sender

Unscrew sender from engine and quickly plug hole using your finger until ready to install new sender.

Install new sender.

Torque sender to 6 N•m (53 lbf•in).

Reconnect connectors (polarity is not important).

Unplug VIOLET wire from 3-connector housing and move it to the free slot. (Connector location is near the water expansion tank).

Reinstall connector and bracket.

## Temperature Gauge

### **Models Prior to 1998**

Remove windshield if necessary.

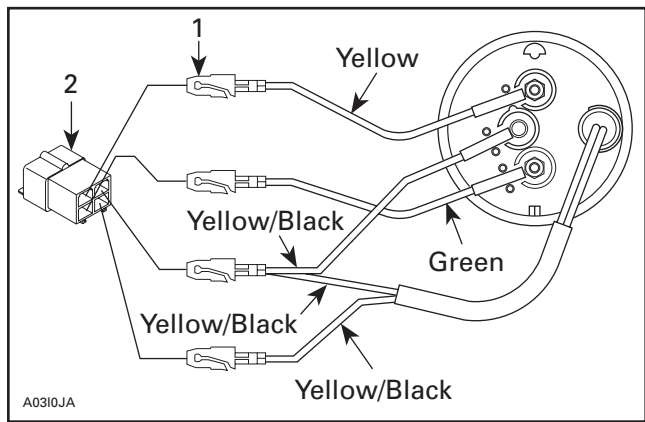
Remove intake cover, if equipped.

Position template (supplied on last page of this instruction sheet) over dashboard. Using a hole saw, drill a 63.5 mm (2.5 in) hole in LH side of dashboard.

### ▼ CAUTION

Ensure there are no wires behind dashboard in order to avoid any damages.

Install male connectors no. 8 on wires and position in 4-connector housing no. 9 as per the following illustration.



1. Male connector
2. 4-connector housing

## Temperature Gauge

### Starting with 1998 Models

Remove windshield, if necessary.

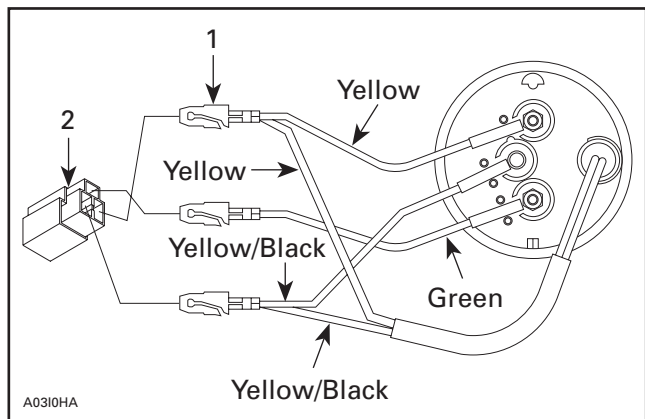
Remove intake cover, if equipped.

Position template (supplied on last page of this instruction sheet) over dashboard decal. Using a hole saw, drill a 63.5 mm (2.5 in) hole in LH side of dashboard.

### ▼ CAUTION

Make sure there are no wires behind dashboard in order to avoid any damages.

Install male connectors **no. 8** on wires and position in 3-connector housing **no. 10** as per the following illustration.



1. Male connector
2. 3-connector housing

### All Models

Install gauge packing **no. 2** on temperature gauge **no. 1** then install into dashboard.

Install formed washer **no. 3** then gauge holder **no. 4**.

Install washers **no. 5**, lock washers **no. 6** and tighten with nuts **no. 7**.

Connect housing.

Secure gauge harness with locking tie **no.13**.

Reinstall intake cover, if equipped.

Reinstall windshield, if necessary.

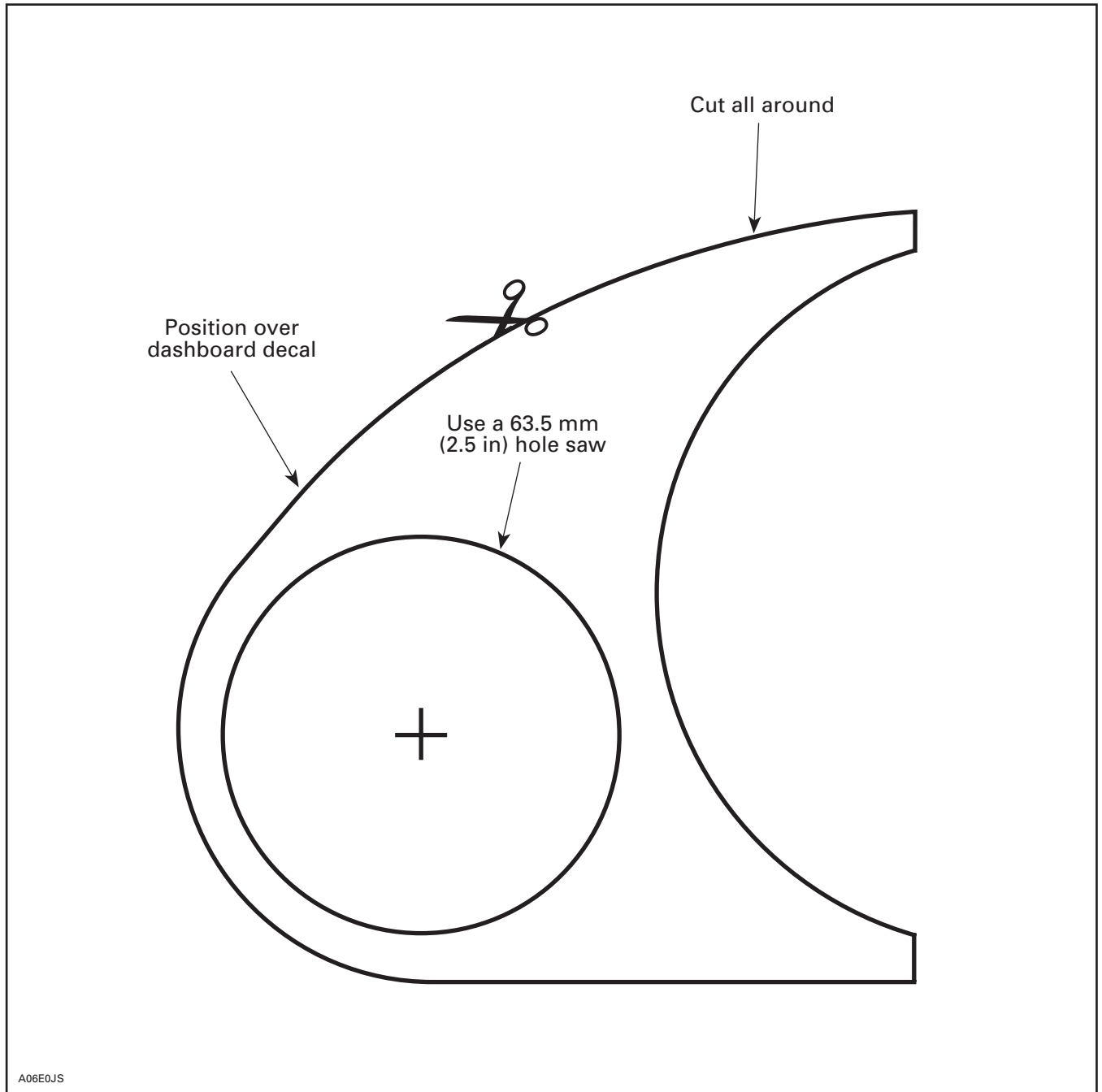
Test gauge operation and ensure there are no fluid leaks at sender.

Replenish cooling system if necessary.

THIS PAGE IS PURPOSELY BLANK

# DRILLING TEMPLATE

Use this template to properly drill hole for gauge in dashboard.  
Hole is to be drilled on left hand side.



## 861 7608 00

1.	415 0972 00	Temperature Gauge WHITE	Indicateur de température BLANC
2.	414 8072 00	Gauge Packing	Joint torique
3.	517 2586 00	Formed Washer	Rondelle formée
4.	414 8066 00	Gauge Holder	Support d'indicateur
5.	391 3017 00	Flat Washer (2)	Rondelle plate (2)
6.	414 8337 00	Lock Washer (2)	Rondelle-frein (2)
7.	414 8336 00	Nut (2)	Écrou (2)
8.	561 5034 00	Male Connector (4)	Raccord mâle (4)
9.	409 2093 00	4-connector Housing	Logement de raccords à 4 circuits
10.	409 2042 00	3-connector Housing	Logement de raccords à 3 circuits
11.	414 7287 00	Sender Unit	Sonde de température
12.	515 1629 00	Wiring Harness	Faisceau de fils
13.	414 1152 00	Locking Tie	Attache