

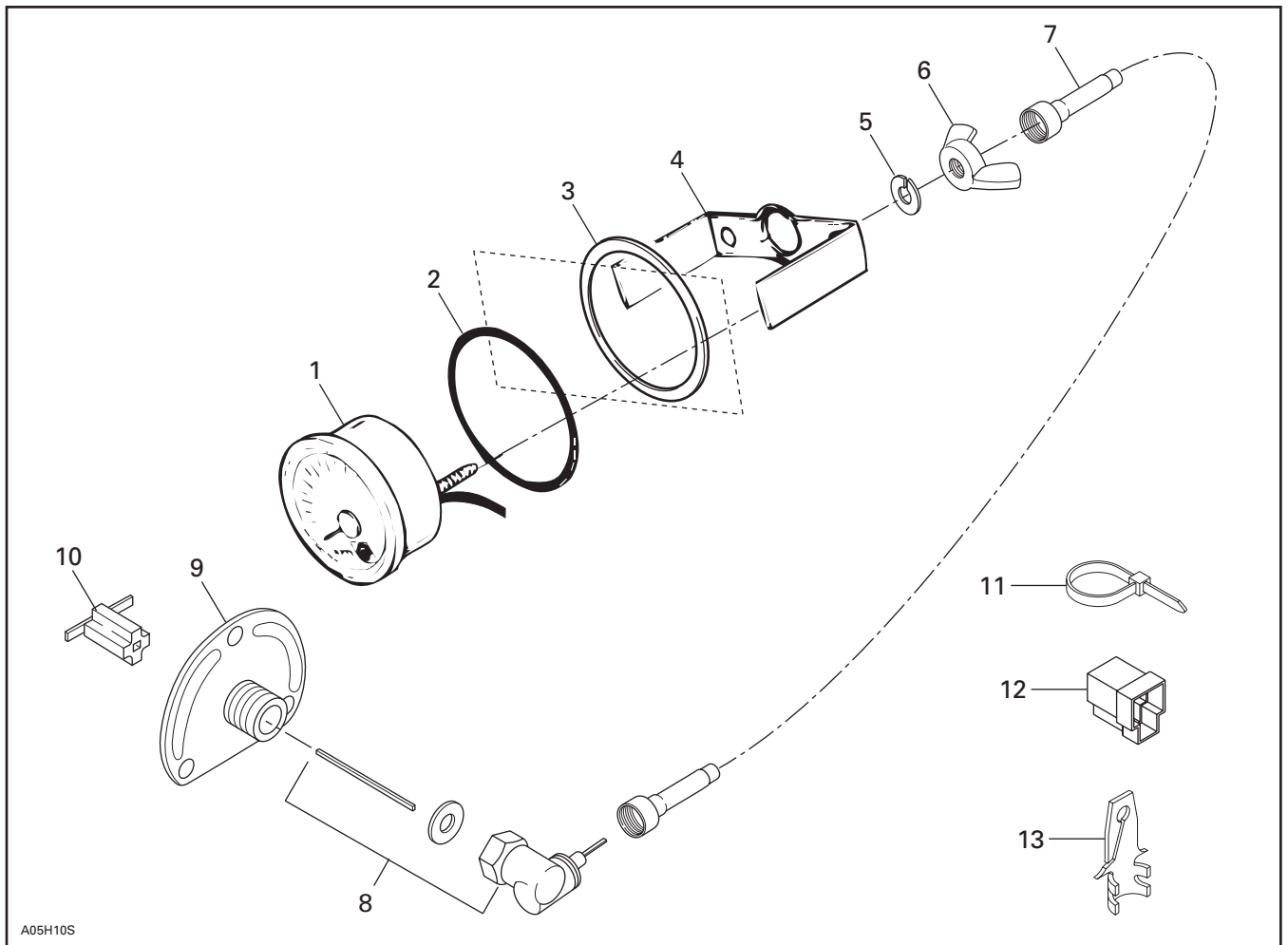


◆ WARNING

For safety reasons, this kit must be installed by an authorized Bombardier snowmobile dealer. Should removal of a locking device be required when undergoing disassembly/assembly, always replace with a new one. This instruction sheet should be given to the purchaser. This kit is designed for specific applicable models only. It is not recommended for vehicles other than those for which it was sold.

NOTE: Installation time is approximately 0.5 hour.

PARTS TO BE INSTALLED



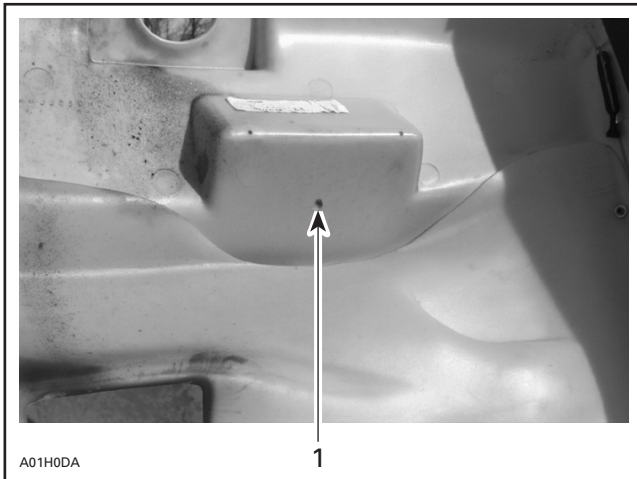
1. Speedometer
2. Gauge Packing
3. Ring
4. Gauge Holder
5. Lock Washer M5 (2)
6. Wing Nut M5 (2)
7. Speedometer Cable
8. Angle Drive

9. End Bearing Housing
10. Drive Insert
11. Tie Rap (4)
12. 2-connector Housing
13. Connector (2)
14. Reset Button (assembly) (not shown)
15. Clip (not shown)

DASHBOARD PREPARATION

Lift hood.

Locate center mark as shown in the following illustration.



VIEW FROM INSIDE HOOD

1. Center mark

From inside hood, position an 80 mm (3-1/8 in) hole saw over center mark.

Drill hole through dash.

SPEEDOMETER INSTALLATION

Install male connectors **no. 13** on gauge wires and position in 2-connector housing **no. 12**.

Ensure that the gauge wires correspond to vehicle wires as per the following table.

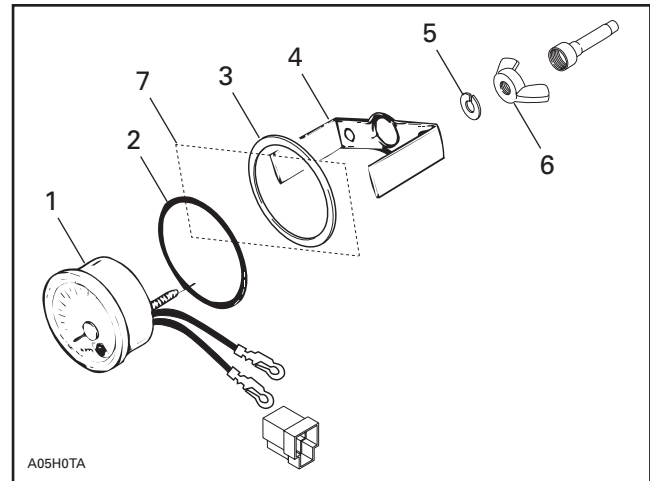
GAUGE HARNESS	VEHICLE HARNESS
YELLOW/BLACK	YELLOW/BLACK
YELLOW	RED/YELLOW

Install gauge packing **no. 2** onto speedometer **no. 1**.

From outside hood, install speedometer into dashboard hole.

From inside hood, install ring **no. 3** then gauge holder **no. 4**.

Secure assembly with lock washers **no. 5** and wing nuts **no. 6**.



1. Speedometer
2. Gauge packing
3. Ring
4. Gauge holder
5. Lock washer
6. Wing nut
7. Dashboard

Cut locking tie retaining vehicle connector housings to headlamp screw.

Connect housings.

Secure wires with locking tie **no. 11**, at headlamp screw location.

ANGLE DRIVE AND END BEARING HOUSING INSTALLATION

Remove muffler.

Release track tension.

To ease end bearing housing installation **no. 9**, support drive axle with drive axle holder (P/N 529 0072 00).

Remove existing end bearing housing on the right side of frame and discard it.

NOTE: There may be a washer(s) inside existing end bearing housing. If so, keep washer(s) for new end bearing installation.

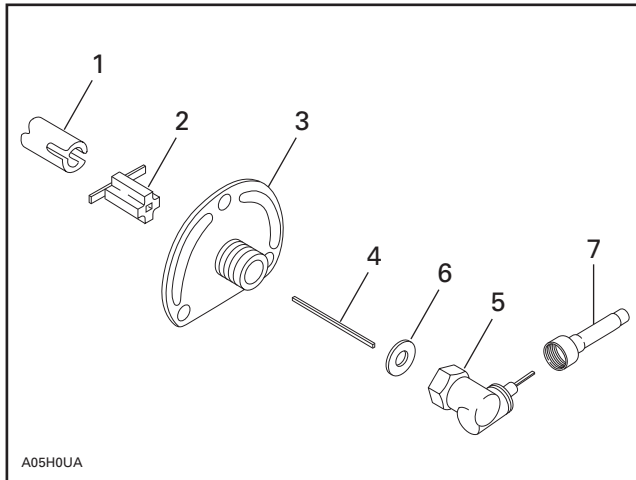
Using a fiber hammer, tap drive insert **no. 10** into drive axle hole.

Install the new end bearing housing. Torque screws to 10 N•m (89 lbf•in).

Push cable branch key into speedometer drive insert.

Install washer (included with angle drive) and screw angle drive unit **no. 8** onto end bearing housing.

NOTE: Position angle drive downward so that speedometer cable **no. 7** will lean on bottom pan.



TYPICAL

1. Drive axle end
2. Drive insert
3. End bearing housing
4. Cable branch key (included with angle drive)
5. Angle drive
6. Washer (included with angle drive)
7. Speedometer cable

SPEEDOMETER CABLE AND WIRING HARNESS ROUTING

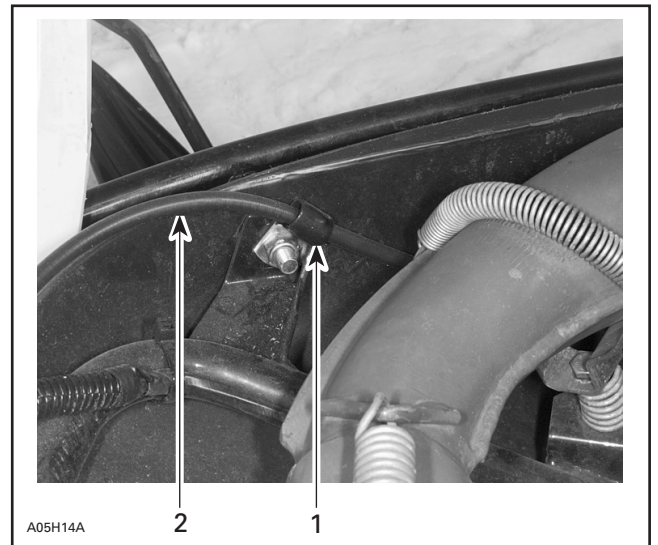
Install speedometer cable end to angle drive.

Route speedometer cable from underneath right side cross member.

Install the other speedometer cable end to the speedometer.

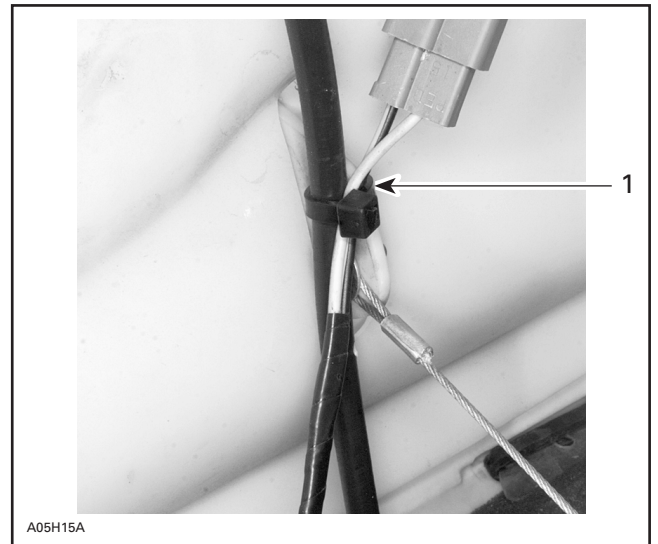
Reinstall muffler.

Secure speedometer cable with clip **no. 15** using bumper left front screw, as shown in the following photo.



1. Clip
2. Speedometer cable

Drill a 6 mm (1/4 in) hole in hood retaining wire tab, then attach wiring harness and speedometer cable with locking tie **no. 11**, as shown in the following photo.



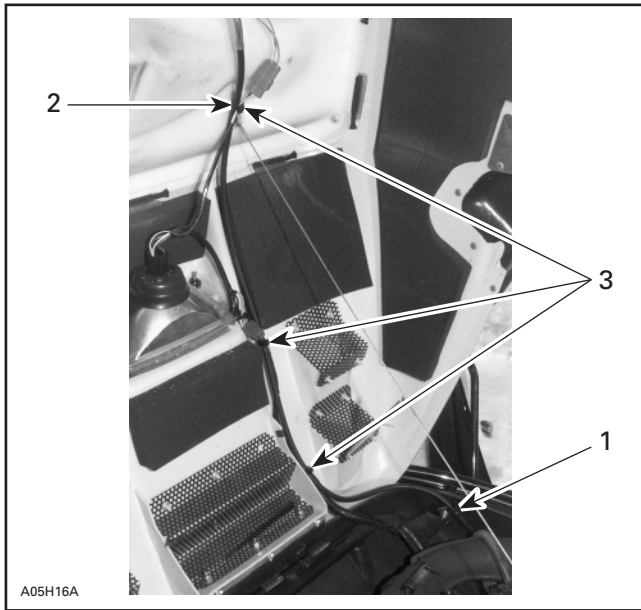
1. Drill a 6 mm (1/4 in) hole to hold locking tie

Attach wiring harness using remaining locking ties.

Refer to the following illustration for locking ties and clip location.

▼ CAUTION

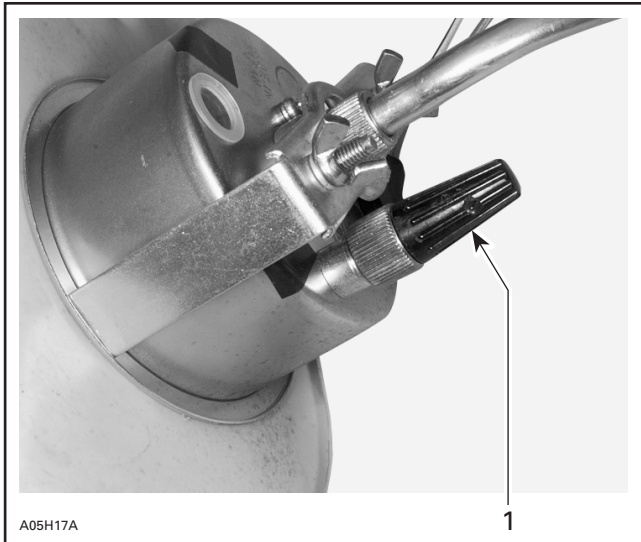
Carefully check speedometer and throttle cable routing to avoid contact with muffler while closing hood.



1. Clip
2. Drill a 6 mm (1/4 in) hole
3. Locking ties location

RESET BUTTON

From inside hood, install reset button **no. 14** onto speedometer, as shown in the following photo.



VIEW FROM INSIDE HOOD

1. Reset button

TRACK TENSION

Readjust track tension previously released, as described in section ANGLE DRIVE AND END BEARING HOUSING INSTALLATION.

To adjust track tension, refer to *Shop Manual Volume 1*, page 06-05-2.

861 7626 00

1.	414 6820 00	Speedometer	Indicateur de vitesse
2.	414 1872 00	Gauge Packing	Joint torique
3.	414 1873 00	Ring	Anneau
4.	414 1874 00	Gauge Holder	Support d'indicateur
5.	399 8023 00	Lock Washer M5 (2)	Rondelle-frein M5 (2)
6.	414 0703 00	Wing Nut M5 (2)	Écrou papillon M5 (2)
7.	414 5165 00	Speedometer Cable	Câble d'indicateur de vitesse
8.	414 1437 00	Angle Drive	Commande angulaire
9.	501 0239 00	End Bearing Housing	Logement de palier d'extrémité
10.	572 0101 00	Drive Insert	Prise d'indicateur de vitesse
11.	414 1152 00	Locking Tie (4)	Attache (4)
12.	409 2045 00	2-connector Housing	Logement à 2 raccords
13.	561 5034 00	Connector (2)	Raccord mâle (2)
14.	414 4877 00	Reset Button (assembly) (not shown)	Bouton de remise à zéro (complet)
15.	414 1760 00	Clip (not shown)	Pince