

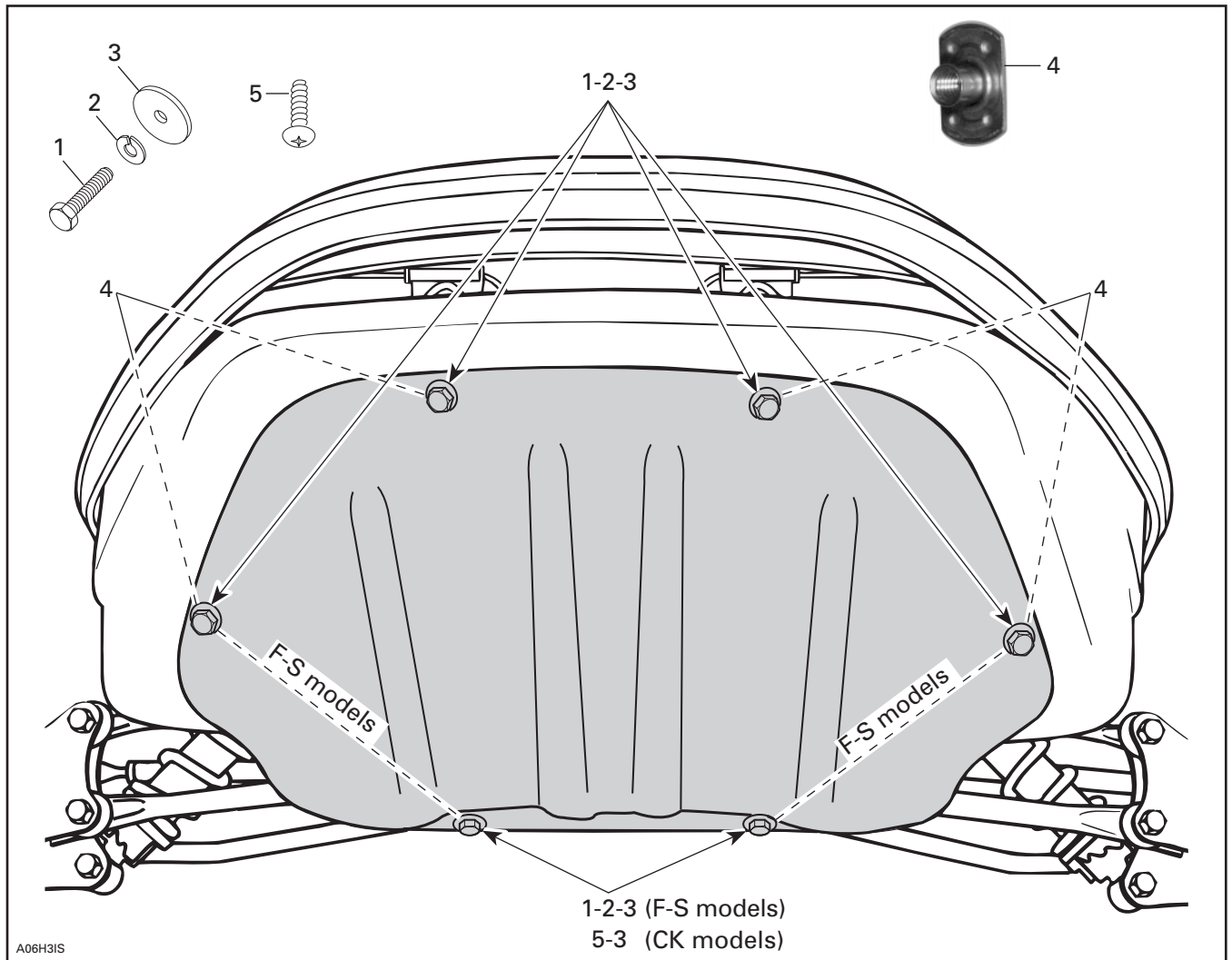


◆ **WARNING**

For safety reasons, this kit must be installed by an authorized Bombardier snowmobile dealer. Should removal of a locking device be required when undergoing disassembly/assembly, always replace with a new one. This instruction sheet should be given to the purchaser. This kit is designed for specific applicable models only. It is not recommended for vehicles other than those for which it was sold.

NOTE: Installation time is approximately 1.0 hour.

**PARTS TO BE INSTALLED**



1. Hex. Bolt M6 (6)
2. Lock Washer M6 (6)
3. Flat Washer M6 (6)

4. Welded Plate (6)
5. Taptite Truss Bolt M6 (3)

# INSTRUCTIONS

Remove tuned pipe(s) if necessary.

Safely lift and put a block under front of vehicle to allow working underneath.

Center skid plate with front of vehicle.

Push on new skid plate from beneath to assure a tight fit.

Using existing holes as template drill 8 mm (5/16 in) holes in front of bottom pan.

From inside the engine compartment, insert welded plates **no. 4** and secure in place using hex. bolts **no. 1**, lock washers **no. 2** and flat washers **no. 3**, then hand tighten only.

## ***F and S Models***

Center rear section of skid plate underneath chassis and drill other 8 mm (5/16 in) holes.

Secure in place using welded plates **no. 4**, hex. bolts **no. 1**, lock washers **no. 2** and flat washers **no. 3**.

Tighten all bolts so that new skid plate fits snug.

Reinstall tuned pipe(s) if previously removed.

## ***CK Models***

Center rear section of skid plate underneath chassis and drill other holes at 5.5 mm (7/32 in).

Secure in place using taptite truss bolts **no. 5** with flat washers **no. 3**.

Tighten all bolts so that new skid plate fits snug.

Reinstall tuned pipe(s) if previously removed.

## 861 7646 00

1.	222 0625 65	Hex. Bolt M6 (6)	Boulon hexagonal M6 (6)
2.	224 7611 10	Lock Washer M6 (6)	Rondelle-frein M6 (6)
3.	224 0612 01	Flat Washer M6 (6)	Rondelle plate M6 (6)
4.	293 1000 03	Welded Plate (6)	Plaque soudée (6)
5.	732 6000 09	Taptite Truss Bolts M6 (3)	Boulon autotaraudeur à tête bombée M6 (3)