

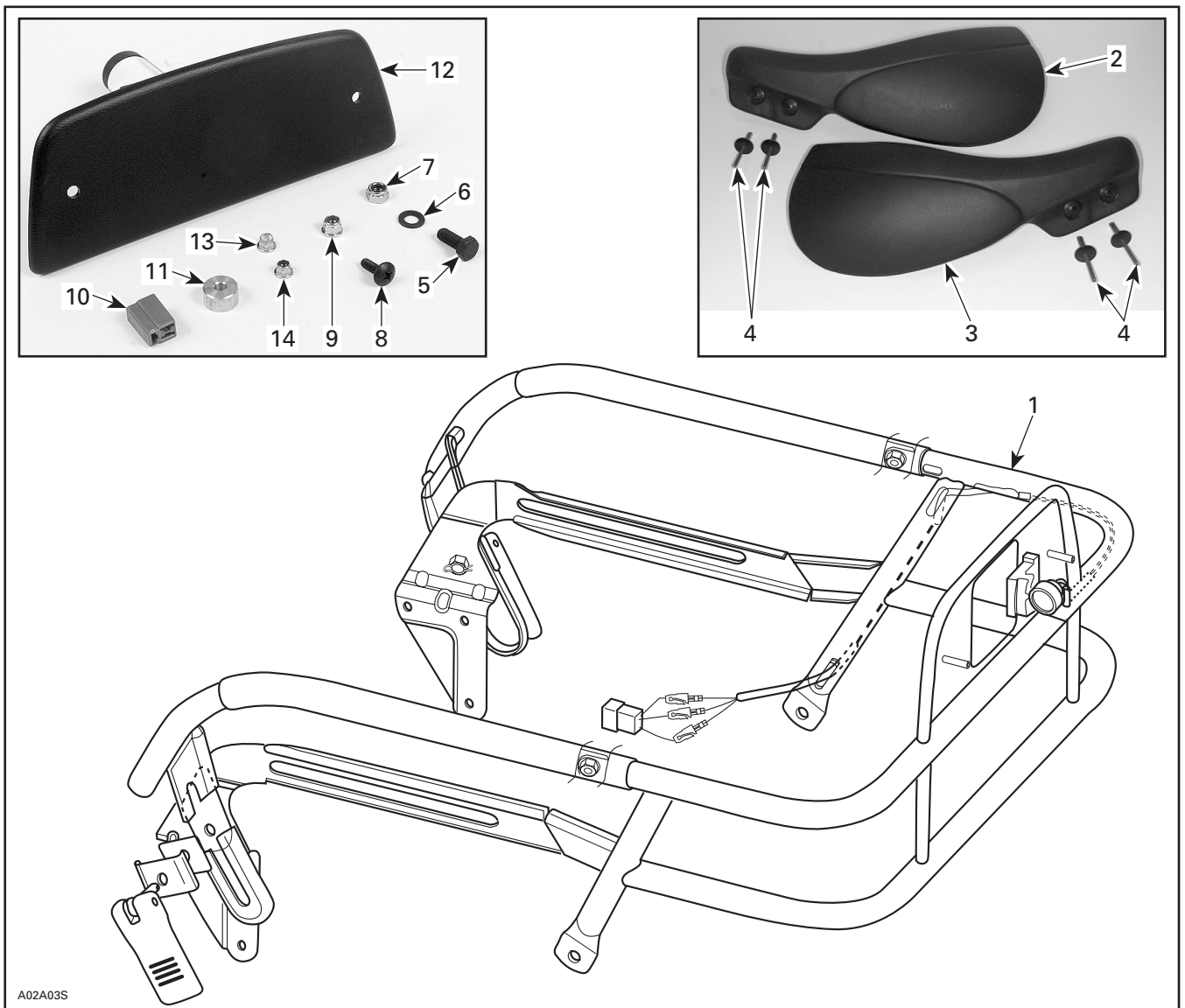


◆ WARNING

For safety reasons, this kit must be installed by an authorized Bombardier Ski-Doo snowmobile dealer. Should removal of a locking device be required when undergoing disassembly/assembly, always replace with a new one. This instruction sheet should be given to the purchaser after modification. This kit is designed for specific applicable models only. It is not recommended for snowmobiles other than those for which it was sold.

NOTE: Installation time is approximately 1.0 hour.

PARTS TO BE INSTALLED



1. Luggage Rack Assy
2. Protector RH (not installed)
3. Protector LH (not installed)
4. Rivet (4)
5. Hex Bolt M8 (2)
6. Flat Washer (2)
7. Flanged Elastic Nut M8 (2)

8. Screw-Taptite M6 (6)
9. Flanged Elastic Nut M6 (6)
10. Connector Housing
11. Spacer (2)
12. Plastic Cover
13. Dome Nut M5 (2)
14. Flanged Elastic Nut M5 (2)

VEHICLE PREPARATION

Remove tail light assembly from seat. Keep screws, nuts and washers.

Remove seat and moldings.

Remove tab connectors from tail light connector block.

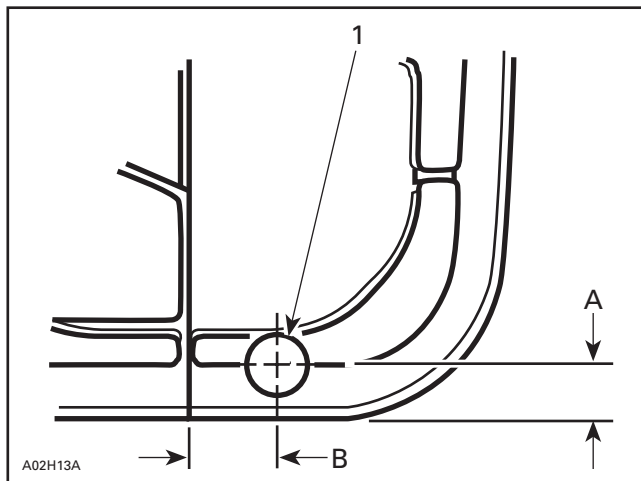
Remove staples 300 mm (1 ft) in length from right rear corner and moving forward alongside of seat.

Remove staples 140 mm (5-1/2 in) in length from rear of seat.

INSTALLATION

Drill a 25 mm (1 in) hole in bottom of seat.

Refer to the following illustration.



1. Drill hole here
- A. 25 mm (1 in)
- B. 30 mm (1-3/16 in)

Reroute tail light harness into previously drilled hole by passing it through foam in seat.

NOTE: Remove more staples if required for easier access.

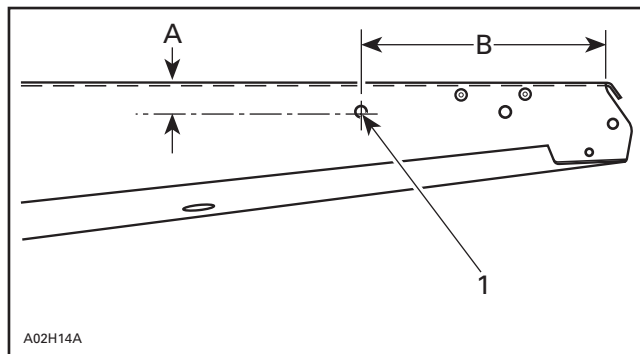
Pull harness through hole then install connector housing **no. 10**.

Restaple seat cover.

Install spacers **no. 11**, plastic cover **no. 12** and dome nuts **no. 13** on seat in previous tail light location. If necessary, install washers (P/N 517 1243 00), not supplied in this kit.

Luggage Rack Installation

Locate the rear hole on each side of tunnel as illustrated; if none, drill an 8.5 mm (21/64 in) hole on each side.



1. Rear hole 8.5 mm (21/64 in)
- A. 25 mm (1 in)
- B. 170 mm (6-51/64 in)

Using these 2 holes, install rear mounts of luggage rack **no. 1** on vehicle with bolts **no. 5**, flat washers **no. 6** and flanged elastic nuts **no. 7**. Hand tighten for now.

Lean rack forward until front bracket lower hole is at 25 mm (1 in) from footstep and drill three 5.4 mm (7/32 in) holes through tunnel as well as tunnel reinforcement on each side.

▼ CAUTION

Use extreme caution when drilling, do not pierce heat exchangers. Use a thin block of wood as a backing plate when drilling.

Install taptite screws **no. 8** and torque to 5 N•m (44 lbf•in). Secure with flanged elastic nuts **no. 9** if possible from inside.

Position and secure Left Hand protector **no. 3** and Right Hand protector **no. 2** at front of adjustable handle bar, in existing holes, using rivets **no. 4**.

Plug tab connectors for the tail light and pull excess wiring toward the inside of seat through previously drilled hole.

Reinstall seat assuring that connectors are properly tucked into seat and that there is no gap between seat and top of tunnel.

Tail Light Housing Preparation

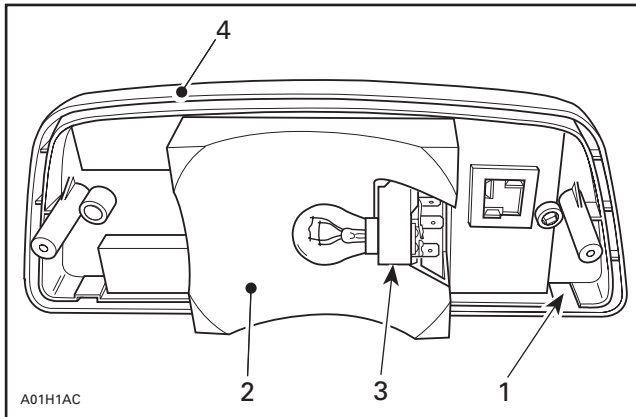
Remove light bulb from original connector in tail light housing. Keep it.

Pull out reflector from tail light housing, and keep it.

Remove short wires between light connector and tail light housing. Discard short wires.

Remove light bulb connector from tail light housing. Discard light bulb connector.

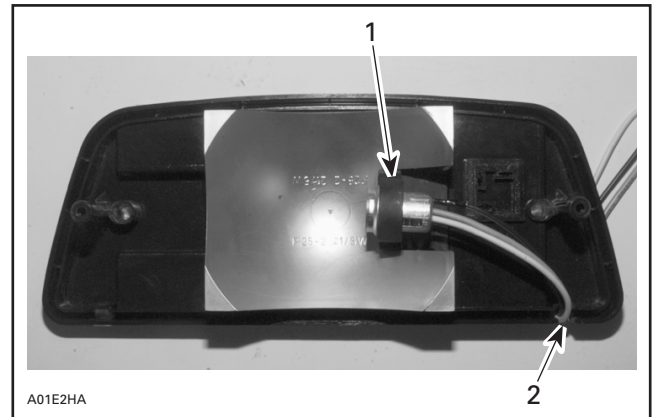
For models with a plastic clip on the right side of tail light housing, use a pair of side cutters and cut the clip, together with the outside wall to allow wires to go through.



1. Cut here
2. Pull out reflector
3. Remove light connector and discard it
4. Tail light housing

Simultaneously position new light bulb connector and previously removed original reflector in tail light housing.

Route wires through previously cut tail light housing, as shown on the next photo.



1. New light connector installed
2. Route wires here

Reinstall original tail light bulb.

Reinstall tail light housing on rack using welded screws, flanged elastic nuts **no. 14** and previously removed washers.

Reinstall lens on tail light housing with original screws.

Firmly tighten seat and luggage rack.

Cut moldings to fit around rack tubes.

Reinstall moldings.

Test tail light and brake light for proper operation.

861 7644 00

1.	511 0000 00	Luggage Rack Assy	Porte-bagages (complet)
2.	572 0894 00	Protector RH (not installed)	Protecteur droit (non installé)
3.	572 0895 00	Protector LH (not installed)	Protecteur gauche (non installé)
4.	390 9077 00	Rivet (4)	Rivet (4)
5.	732 6011 86	Hex Bolt M8 (2)	Boulon hexagonal M8 (2)
6.	732 9000 30	Flat Washer (2)	Rondelle plate (2)
7.	228 7810 45	Flanged Elastic Nut M8 (2)	Écrou à épaulement élastique M8 (2)
8.	732 6000 02	Screw-Taptite M6 (6)	Vis autotaraudeuse M6 (6)
9.	228 7610 45	Flanged Elastic Nut M6 (6)	Écrou à épaulement élastique M6 (6)
10.	409 2043 00	Connector Housing	Logement de raccords
11.	517 2236 00	Spacer (2)	Entretoise (2)
12.	414 7091 00	Plastic Cover	Couvercle de plastique
13.	732 6100 62	Dome Nut M5 (2)	Écrou-capuchon M5 (2)
14.	228 7510 45	Flanged Elastic Nut M5 (2)	Écrou à épaulement élastique M5 (2)