

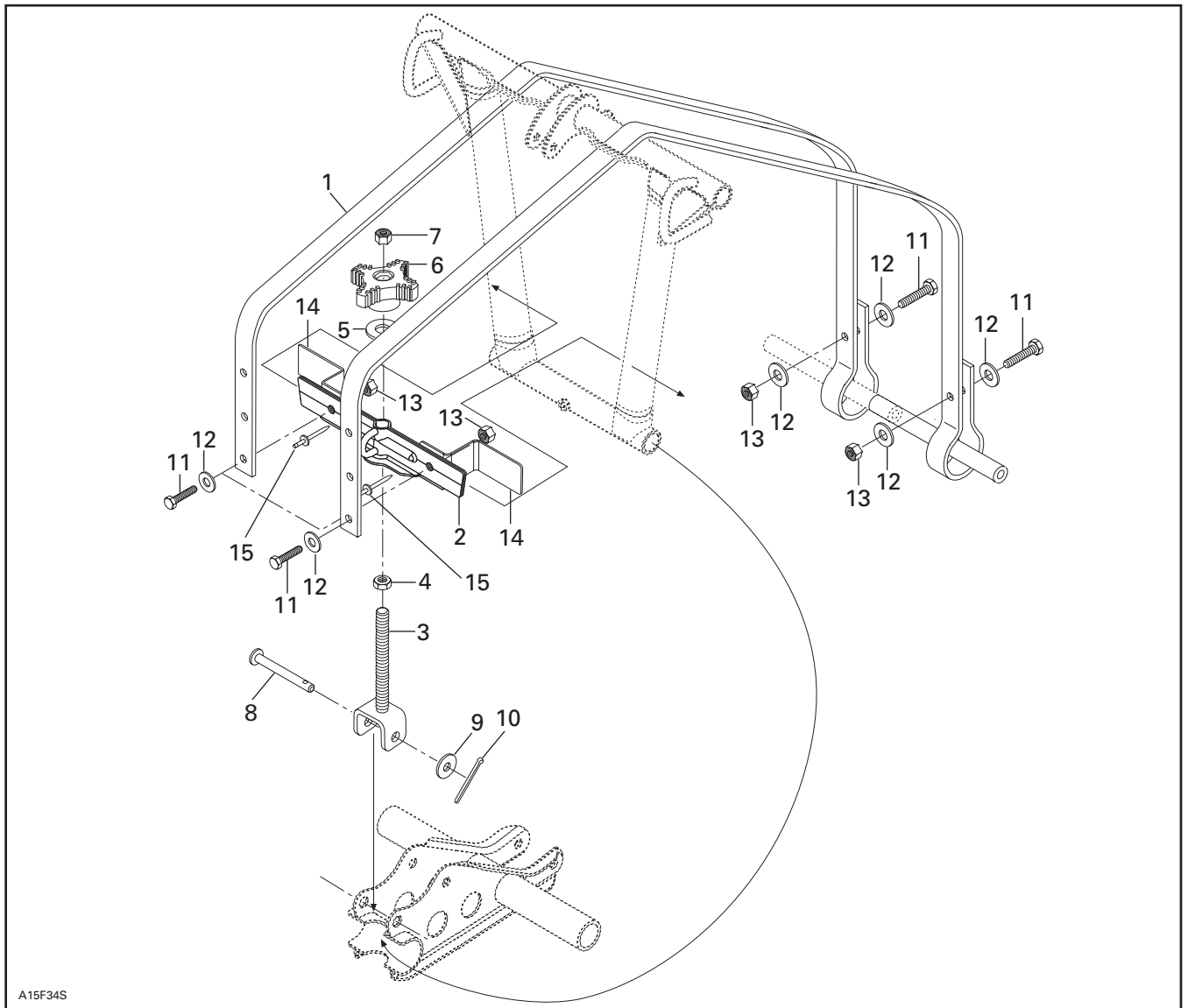


◆ WARNING

For safety reasons, this kit must be installed by an authorized Bombardier snowmobile dealer. Should removal of a locking device be required when undergoing disassembly/assembly, always replace with a new one. This instruction sheet should be given to the purchaser. This kit is designed for specific applicable models only. It is not recommended for vehicles other than those for which it was sold.

NOTE: Installation time is approximately 1.5 hours.

PARTS TO BE INSTALLED



A15F34S

1. Strap (2)
2. Strap Link
3. Adjustment Screw
4. Nut M10
5. Washer
6. Adjuster Knob
7. Elastic Nut M10
8. Clevis Pin

9. Washer
10. Cotter Pin
11. Screw M8 X 25 (4)
12. Washer (6)
13. Elastic Nut M8 (4)
14. "L" Shape Plate (2)
15. Rivet (2)

INSTRUCTIONS

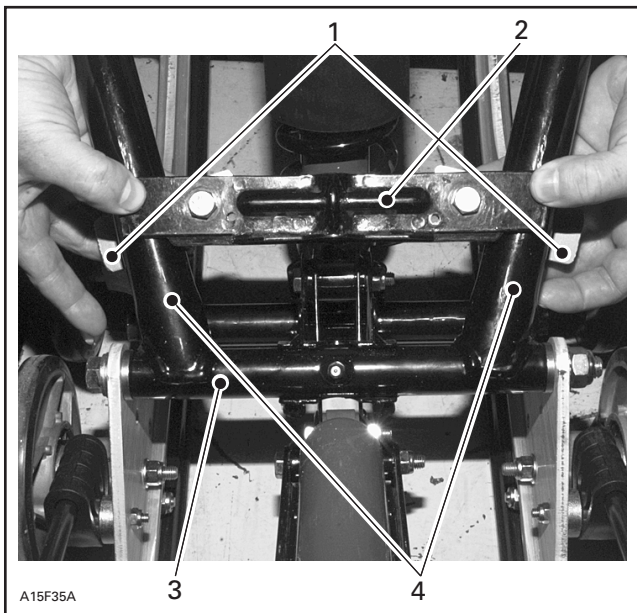
Preparation

Remove rear suspension. Refer to REAR SUSPENSION section of *Shop Manual*.

Temporarily assemble "L" shape plates **no. 14** to strap link **no. 2** with screws **no. 11** and elastic nuts **no. 13**. Slightly tighten for now.

Temporarily position strap link assembly parallel to lower axle of front arm suspension then position "L" shape plates perpendicular to front arm, as shown on next photo.

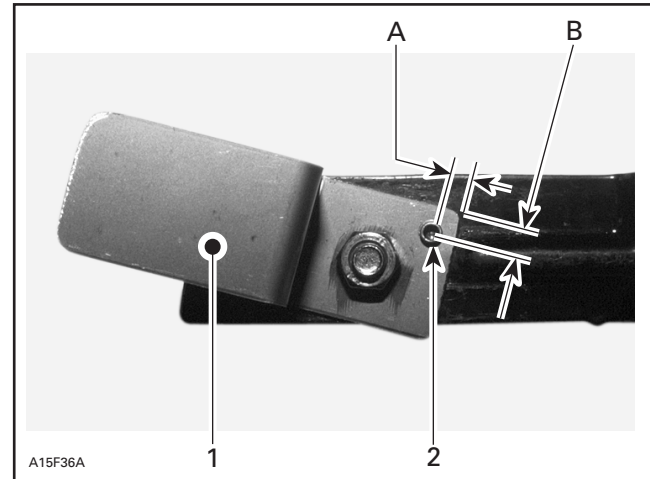
Temporarily tighten to hold plates in place.



1. "L" shape plate
2. Strap link
3. Lower axle of front arm
4. Front arm

Slide strap link assembly upward to remove it.

Drill 2 holes with a drill bit 4.75 mm (3/16 in) then secure with rivets **no. 15**, as shown on the following photo.



VIEW FROM UNDER STRAP LINK

1. "L" shape plate
2. Rivet
- A. 6.4 mm (1/4 in)
- B. 6.4 mm (1/4 in)

Installation

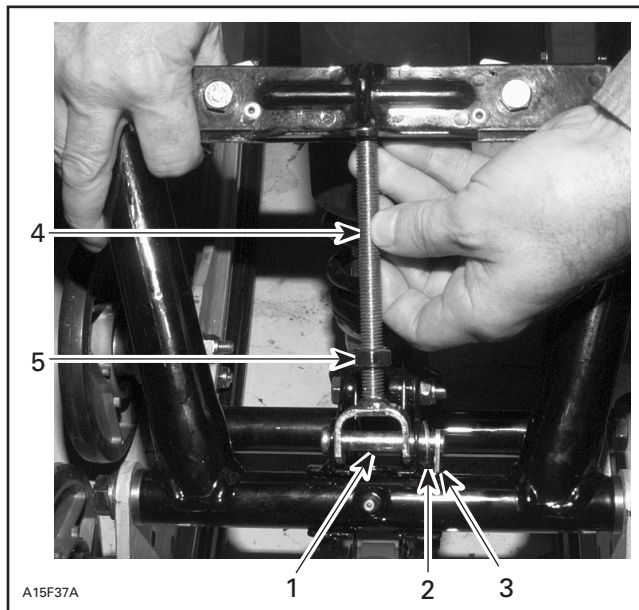
Install adjustment screw **no. 3** on suspension with clevis pin **no. 8**, washer **no. 9** and cotter pin **no. 10**.

Install nut M10 **no. 4** on adjustment screw.

Insert adjustment screw into strap link assembly then slide down strap link, as shown on next photo.

▼ CAUTION

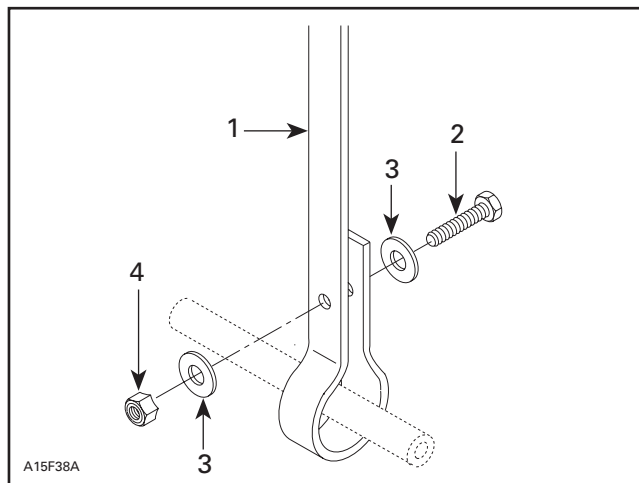
Ensure that strap link assembly is properly positioned. "L" shape plate under front arm and strap link over front arm.



1. Clevis pin
2. Washer
3. Cotter pin
4. Adjustment screw
5. Nut M10

Remove existing straps.

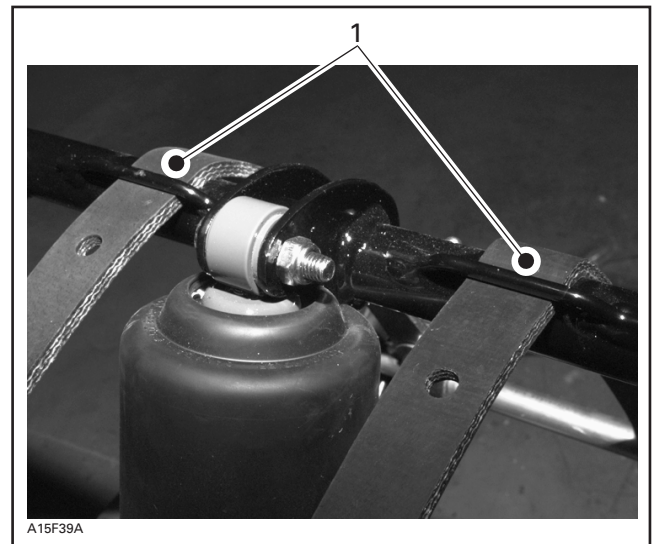
Install new straps **no. 1** with screws **no. 11**, washers **no. 12** and elastic nuts **no. 13**. Refer to the following illustration.



LEFT HAND SIDE SHOWN, IDENTICAL ON RIGHT HAND SIDE

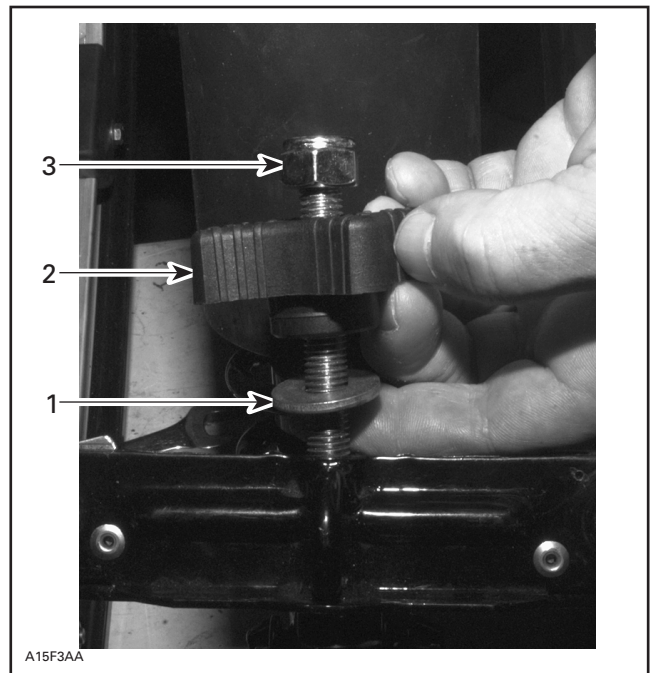
1. Strap
2. Screw
3. Washers
4. Elastic nut

Route straps over and pass them through brackets of front arm upper axle, as shown on the next photo.



1. Straps properly routed into brackets of front arm upper axle

Install washer **no. 5**, adjuster knob **no. 6** and elastic nut **no. 7**, as shown on the next photo.

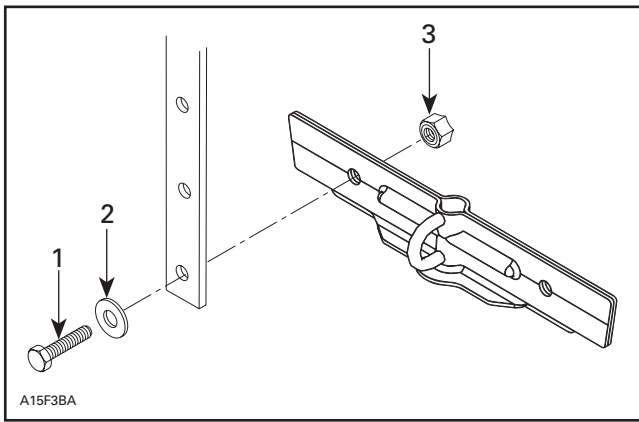


1. Washer
2. Adjuster knob
3. Elastic nut

Remove strap link assembly screws.

Apply pressure on front arm upper axle to compress suspension.

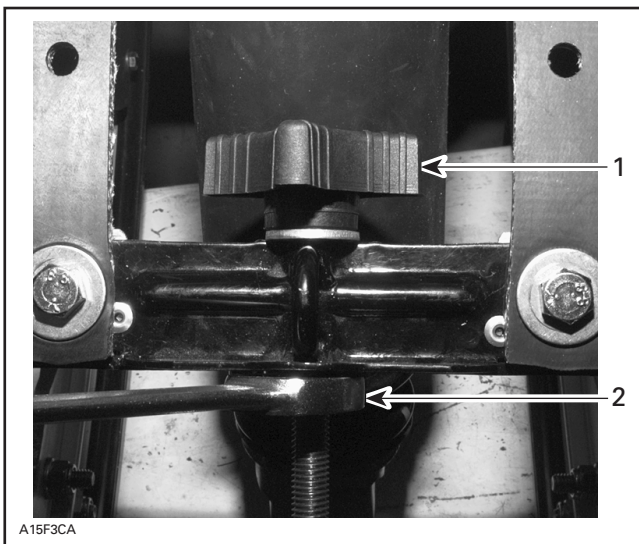
Secure straps to strap link assembly with previously removed screws **no. 11**, washer **no. 12** and elastic nut **no. 13**, as shown on the next illustration.



LEFT HAND SIDE SHOWN, IDENTICAL ON RIGHT HAND SIDE

1. Screw
2. Washer
3. Elastic nut

Adjust suspension with adjuster knob and secure with nut, as shown on the next photo.



1. Adjuster knob
2. Secure with nut

Reinstall rear suspension onto snowmobile.

861 7655 00

| | | | |
|-----|-------------|---------------------|------------------------|
| 1. | 570 0497 00 | Strap (2) | Courroie (2) |
| 2. | 503 1884 00 | Strap Link | Tendeur de courroie |
| 3. | 503 1663 00 | Adjustment Screw | Vis de réglage |
| 4. | 228 0010 45 | Nut M10 | Écrou M10 |
| 5. | 224 0022 51 | Washer | Rondelle |
| 6. | 572 0340 00 | Adjuster Knob | Bouton de réglage |
| 7. | 228 5010 45 | Elastic Nut M10 | Écrou élastique M10 |
| 8. | 414 8039 00 | Clevis Pin | Axe de chape |
| 9. | 224 0012 11 | Washer | Rondelle |
| 10. | 371 8010 00 | Cotter Pin | Goupille fendue |
| 11. | 222 0825 65 | Screw M8 X 25 (4) | Vis M8 X 25 (4) |
| 12. | 224 0802 51 | Washer (6) | Rondelle (6) |
| 13. | 228 5810 45 | Elastic Nut M8 (4) | Écrou élastique M8 (4) |
| 14. | 503 1885 00 | "L" Shape Plate (2) | Plaque en L (2) |
| 15. | 390 4043 00 | Rivet (2) | Rivet (2) |