

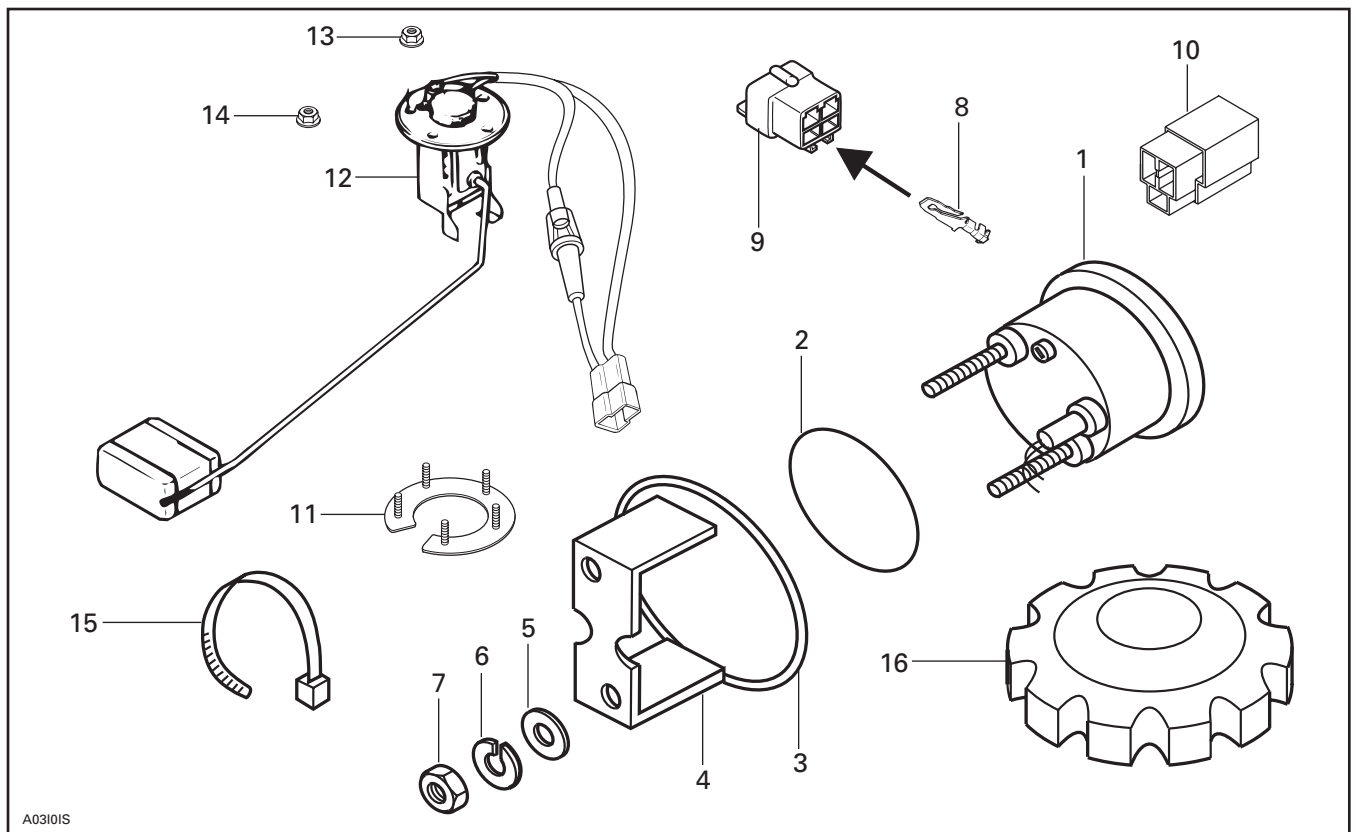


◆ WARNING

For safety reasons, this kit must be installed by an authorized Bombardier snowmobile dealer. Should removal of a locking device be required when undergoing disassembly/assembly, always replace with a new one. This instruction sheet should be given to the purchaser. This kit is designed for specific applicable models only. It is not recommended for vehicles other than those for which it was sold.

NOTE: Installation time is approximately 1.0 hour.

PARTS TO BE INSTALLED



- | | |
|-------------------------|----------------------------------|
| 1. Fuel Gauge Black | 9. 4-connector Housing |
| 2. Gauge Packing | 10. 3-connector Housing |
| 3. Formed Washer | 11. Float Support, S-Series |
| 4. Gauge Holder | 12. Fuel Sender |
| 5. Flat Washer 7/32 (2) | 13. Flanged Nut M4 (5), S-Series |
| 6. Lock Washer (2) | 14. Flanged Nut M5 (5), F-Series |
| 7. Nut (2) | 15. Locking Tie |
| 8. Male Connector (4) | 16. Fuel Tank Cap |

INSTRUCTIONS

Fuel Level Sender

Disconnect battery (if equipped).

◆ WARNING

Always disconnect battery cables exactly in the specified order. Disconnect BLACK negative ground cable first, then RED positive cable. Electrolyte or fuel vapors can be present.

Remove seat. Disconnect connector housing between fuel tank and seat.

Close fuel shut-off valve (if so equipped). Squeeze fuel supply line with hose pincher then unplug fuel line from valve.

S-Series Models

Drain fuel tank completely.

Remove tank from vehicle.

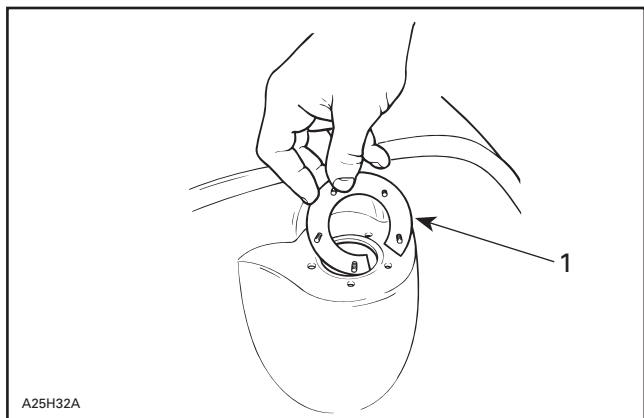
Using a 42 mm (1-21/32 in) hole saw cut tank sender hole **using the dot as center guide**.

NOTE: Put a small dab of grease on drill bit to minimize the quantity of particles from falling into fuel tank.

Using a 4.2 mm (11/64 in) drill bit, drill the 5 sender retaining screw holes using dots as a center guide.

Thoroughly clean fuel tank.

Install float support **no. 11**, gasket and sender unit **no. 12**.



1. Float support

Secure with flanged nuts **no. 13** (M4), initially torque to 1 N•m (8 lbf•in) then finalize torque in criss-cross sequence to 2.5 N•m (22 lbf•in).

Replace fuel tank cap with the one supplied **no. 16**.

Properly reinstall fuel tank. Connect sender harness. Do not reinstall seat yet.

F-Series Models

Remove steering padding.

To lift tank cover, drill rivets near footrests and remove the 2 nuts in back of tank cover.

Remove tank from vehicle.

Drain fuel tank completely.

Using a 42 mm (1-21/32 in) hole saw, cut tank sender hole in the center of the studs.

NOTE: Put a small dab of grease on drill bit to minimize the quantity of particles from falling into fuel tank.

Thoroughly clean fuel tank.

Install gasket and sender unit **no. 12**.

Secure with flanged nuts **no. 14** (M5), initially torque to 1 N•m (8 lbf•in) then finalize torquing in a criss-cross sequence to 2.5 N•m (22 lbf•in).

Replace fuel tank cap with the one supplied **no. 16**.

Properly reinstall fuel tank then fuel tank cover with new rivets (not included). Connect sender harness. Reinstall steering padding. Do not reinstall seat yet.

Electric Fuel Gauge

S and F-Series Models

Remove windshield (if necessary).

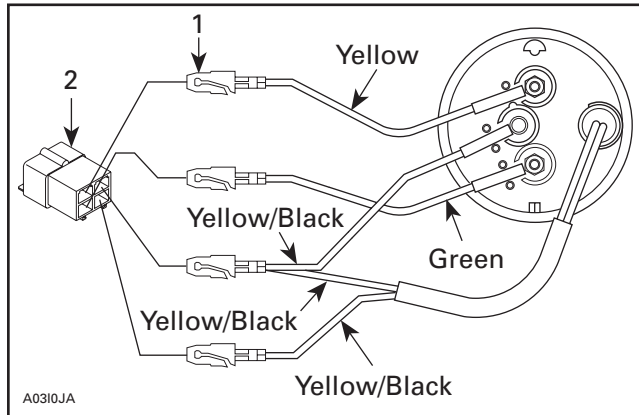
Position template (found on the last page of this document) on the center of the RH side of dashboard, cut a 63.5 mm (2.5 in) hole.

▼ CAUTION

Ensure there are no wires behind dashboard that might be damaged.

Models prior to 1998

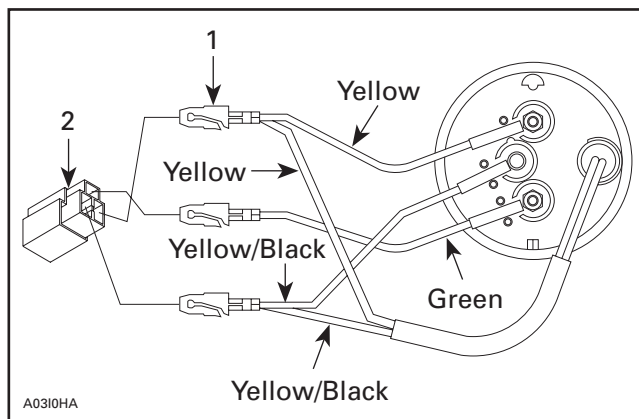
Install male connector no. 8 on gauge wires and position in housing no. 9 as per following illustration.



1. Male connector
2. 4-connector housing

Starting with 1998 Models

Install male connector no. 8 on gauge wires and position in housing no. 10 as per following illustration.



1. Male connector
2. 3-connector housing

All Models

Install gauge packing no. 2 on fuel gauge no. 1 then install into dashboard.

Install formed washer no. 3 then gauge holder no. 4.

Install flat washers no. 5, lock washers no. 6 then nuts no. 7.

Connect housings.

Secure wire harness with a locking tie no. 15.

Reinstall windshield.

Connect battery cables.

◆ WARNING

Connect RED positive cable FIRST, then BLACK negative cable.

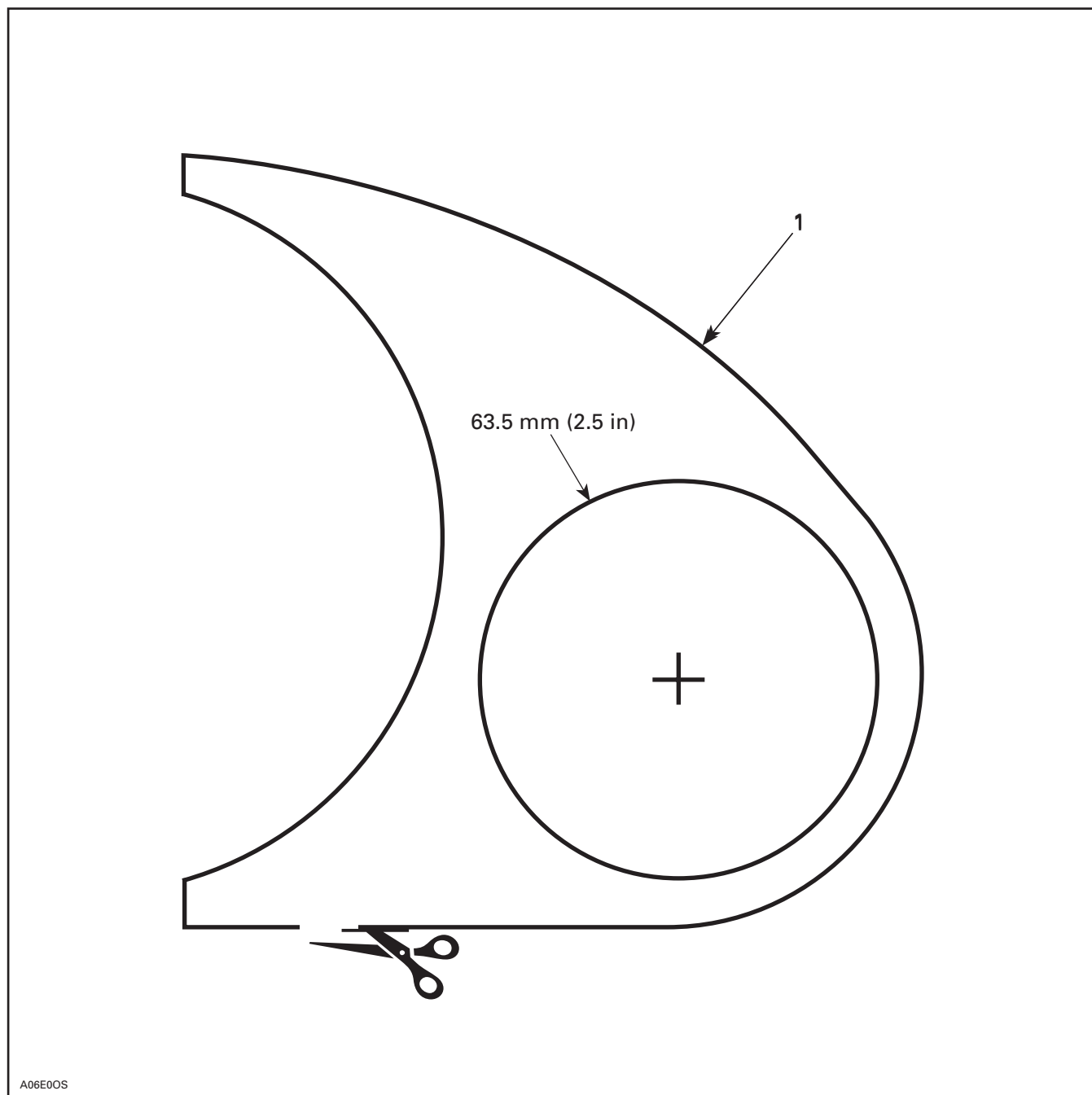
Test gauge operation with fuel tank empty and full. Ensure there is no fuel leak at sender.

Connect seat harness and reinstall seat.

THIS PAGE IS PURPOSELY BLANK

DRILLING TEMPLATE

Use this template to position drill hole for gauge in dashboard.



A06E00S

1. Position over dashboard decal

861 5040 00

1.	415 0981 00	Fuel Gauge Black	Indicateur de niveau de carburant noir
2.	414 8072 00	Gauge Packing	Joint torique
3.	517 2586 00	Formed Washer	Rondelle
4.	414 8066 00	Gauge Holder	Support d'indicateur
5.	391 3017 00	Flat Washer 7/32 (2)	Rondelle plate 7/32 (2)
6.	414 8337 00	Lock Washer (2)	Rondelle-frein (2)
7.	414 8336 00	Nut (2)	Écrou (2)
8.	561 5034 00	Male Connector (4)	Raccord mâle (4)
9.	409 2093 00	4-connector Housing	Logement de raccords à 4 circuits
10.	409 2042 00	3-connector Housing	Logement de raccord à 3 circuits
11.	513 0325 00	Float Support, S-Series	Support de flotteur, série S
12.	415 1147 00	Fuel Sender	Capteur de niveau de carburant
13.	228 7410 45	Flanged Nut M4 (5), S-Series	Écrou à épaulement M4 (5), série S
14.	228 7510 45	Flanged Nut M5 (5), F-Series	Écrou à épaulement M5 (5), série F
15.	414 1152 00	Locking Tie	Attache
16.	572 0396 00	Fuel Tank Cap	Bouchon de réservoir de carburant