

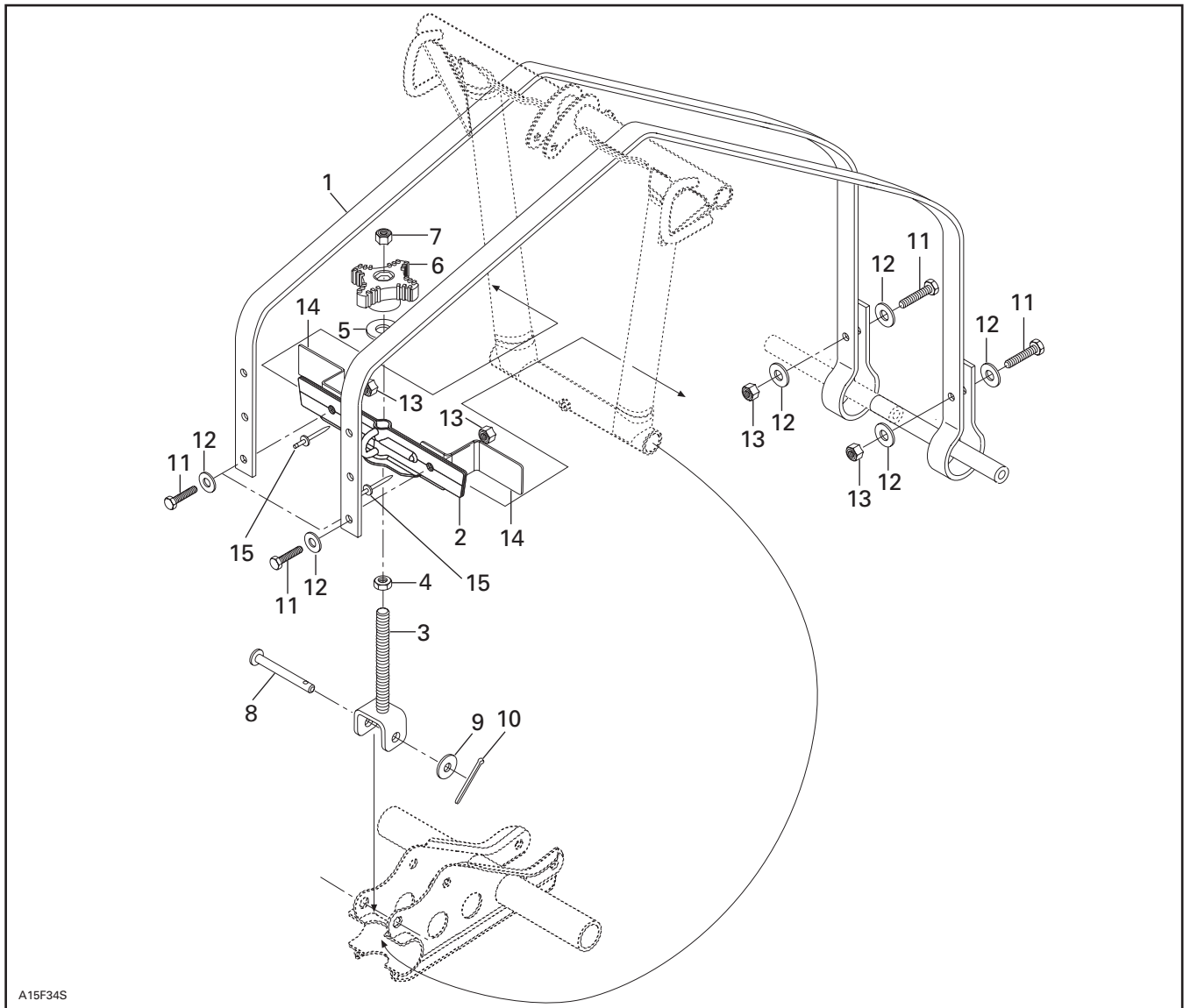


◆ WARNING

For safety reasons, this kit must be installed by an authorized Bombardier snowmobile dealer. Should removal of a locking device be required when undergoing disassembly/assembly, always replace with a new one. This instruction sheet should be given to the purchaser. This kit is designed for specific applicable models only. It is not recommended for vehicles other than those for which it was sold.

NOTE: Installation time is approximately 1.5 hours.

PARTS TO BE INSTALLED



A15F34S

1. Strap (2)
2. Strap Link
3. Adjustment Screw
4. Nut M10
5. Washer
6. Adjuster Knob
7. Elastic Nut M10
8. Clevis Pin

9. Washer
10. Cotter Pin
11. Screw M8 X 25 (4)
12. Washer (6)
13. Elastic Nut M8 (4)
14. "L" Shape Plate (2)
15. Rivet (2)

INSTRUCTIONS

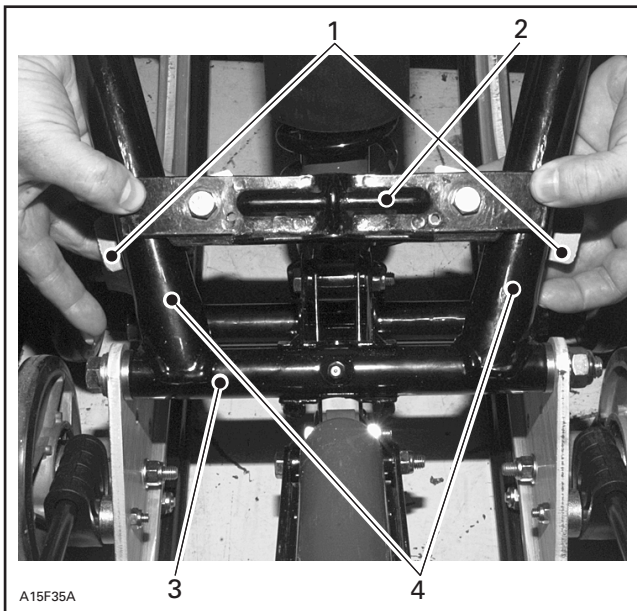
Preparation

Remove rear suspension. Refer to REAR SUSPENSION section of *Shop Manual*.

Temporary assemble "L" shape plates no. 14 to the strap link no. 2 with screws no. 11 and elastic nuts no. 13. Slightly tighten for now.

Temporary position strap link assembly parallel to lower axle of front arm suspension then position "L" shape plates perpendicular to front arm, as shown on the next photo.

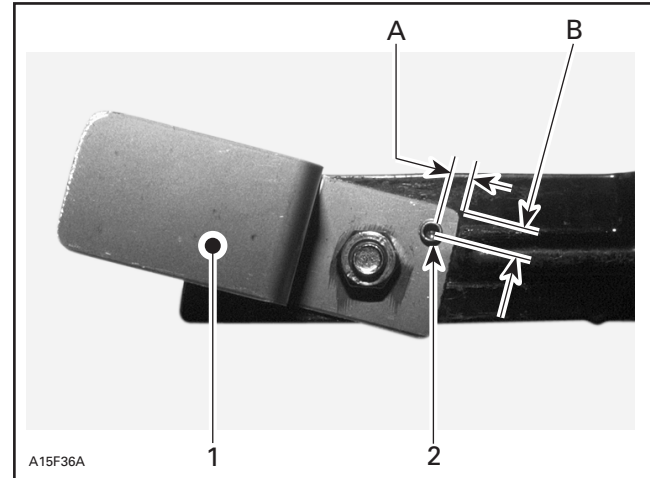
Temporary tighten to hold plates in place.



1. "L" shape plate
2. Strap link
3. Lower axle of front arm
4. Front arm

Slide strap link assembly upward to remove it.

Drill 2 holes with a drill bit 4.75 mm (3/16 in) then secure with rivets no. 15, as shown on the following photo.



VIEW FROM UNDER STRAP LINK

1. "L" shape plate
2. Rivet
- A. 6.4 mm (1/4 in)
- B. 6.4 mm (1/4 in)

Installation

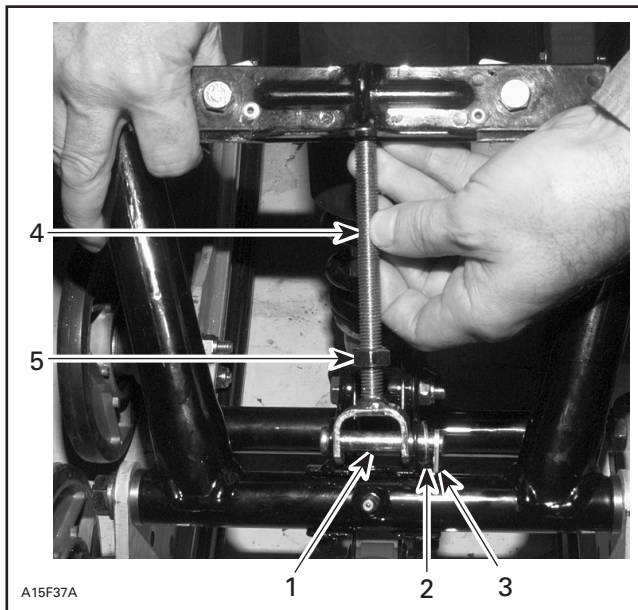
Install adjustment screw no. 3 on suspension with clevis pin no. 8, washer no. 9 and cotter pin no. 10.

Install nut M10 no. 4 on adjustment screw.

Insert adjustment screw into strap link assembly then slide down strap link, as shown on the next photo.

▼ CAUTION

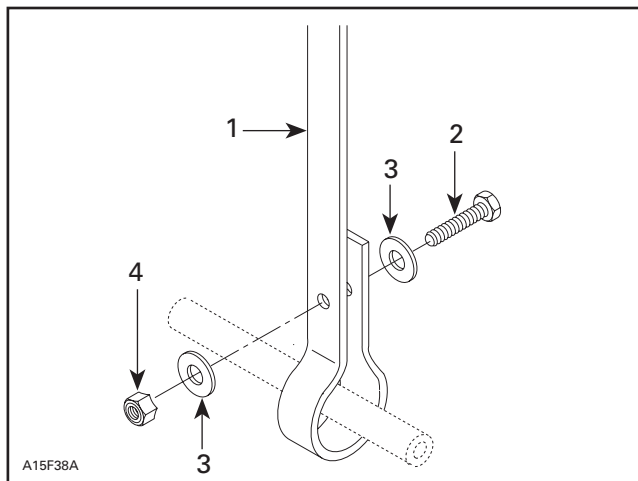
Ensure that strap link assembly is properly positioned. "L" shape plate under front arm and strap link over front arm.



1. Clevis pin
2. Washer
3. Cotter pin
4. Adjustment screw
5. Nut M10

Remove existing straps.

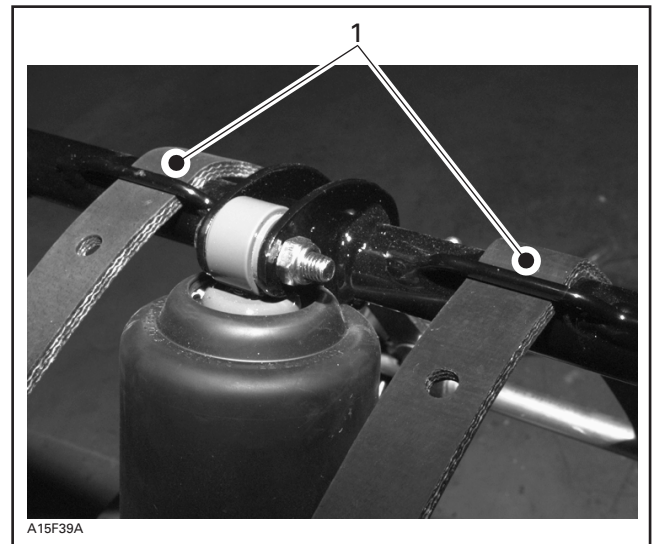
Install the new straps no. 1 with screws no. 11, washers no. 12 and elastic nuts no. 13. Refer to the following illustration.



LEFT HAND SIDE SHOWN, IDENTICAL ON RIGHT HAND SIDE

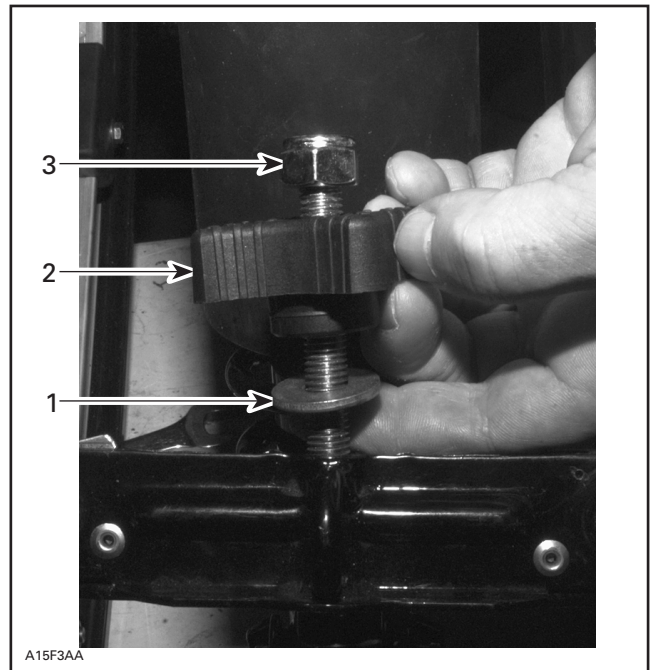
1. Strap
2. Screw
3. Washers
4. Elastic nut

Route straps over and pass them through brackets of front arm upper axle, as shown on the next photo.



1. Straps properly routed into brackets of front arm upper axle

Install washer no. 5, adjuster knob no. 6 and elastic nut no. 7, as shown on the next photo.

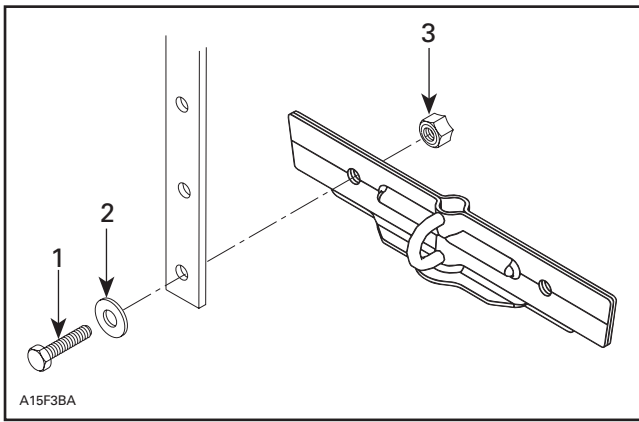


1. Washer
2. Adjuster knob
3. Elastic nut

Remove strap link assembly screws.

Apply pressure on front arm upper axle to compress suspension.

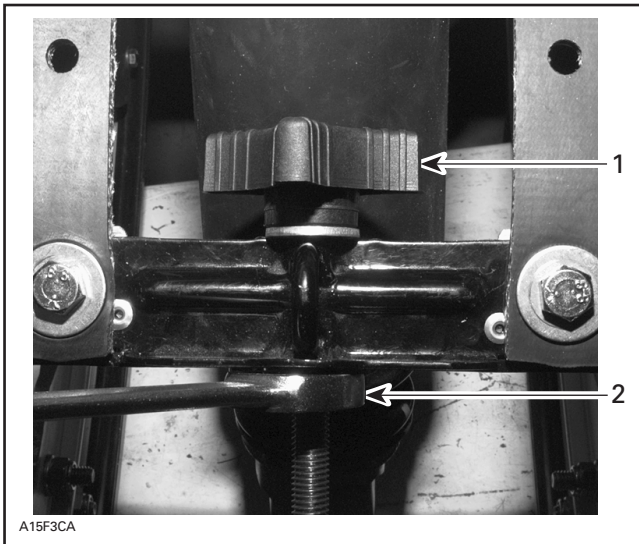
Secure straps to strap link assembly with previously removed screws no. 11, washer no. 12 and elastic nut no. 13, as shown on the next illustration.



LEFT HAND SIDE SHOWN, IDENTICAL ON RIGHT HAND SIDE

1. Screw
2. Washer
3. Elastic nut

Adjust suspension with adjuster knob and secure with nut, as shown on the next photo.



1. Adjuster knob
2. Secure with nut

Reinstall rear suspension onto snowmobile.

861 7602 00

1.	570 0497 00	Strap (2)	Courroie (2)
2.	503 1700 00	Strap Link	Tendeur de courroie
3.	503 1663 00	Adjustment Screw	Vis de réglage
4.	228 0010 45	Nut M10	Écrou M10
5.	224 0022 51	Washer	Rondelle
6.	572 0340 00	Adjuster Knob	Bouton de réglage
7.	228 5010 45	Elastic Nut M10	Écrou élastique M10
8.	414 8039 00	Clevis Pin	Axe de chape
9.	224 0012 11	Washer	Rondelle
10.	371 8010 00	Cotter Pin	Goupille fendue
11.	222 0825 65	Screw M8 X 25 (4)	Vis M8 X 25 (4)
12.	224 0802 51	Washer (6)	Rondelle (6)
13.	228 5810 45	Elastic Nut M8 (4)	Écrou élastique M8 (4)
14.	503 1766 00	"L" Shape Plate (2)	Plaque en L (2)
15.	390 4043 00	Rivet (2)	Rivet (2)