

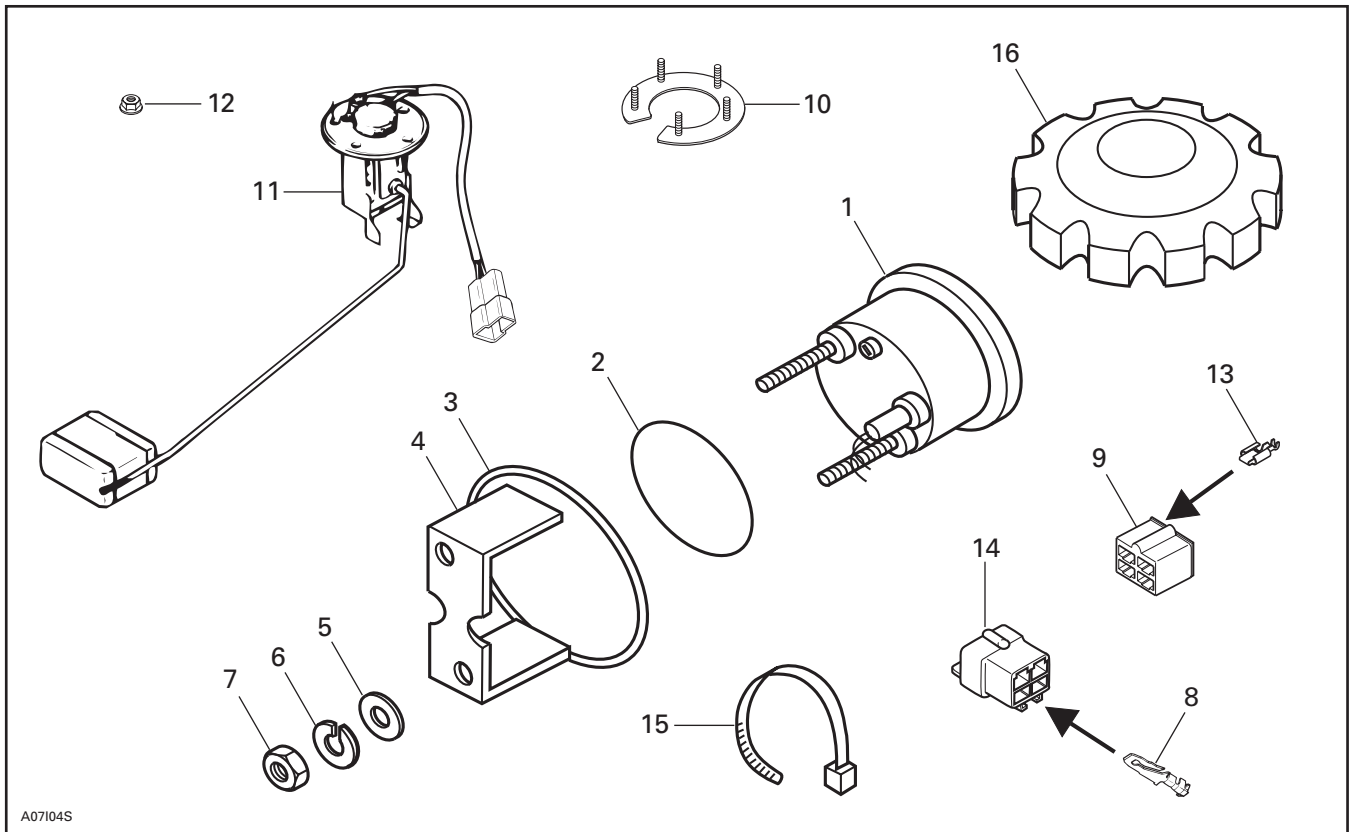


◆ WARNING

For safety reasons, this kit must be installed by an authorized Bombardier snowmobile dealer. Should removal of a locking device be required when undergoing disassembly/assembly, always replace with a new one. This instruction sheet should be given to the purchaser. This kit is designed for specific applicable models only. It is not recommended for vehicles other than those for which it was sold.

NOTE: Installation time is approximately 1.0 hour.

PARTS TO BE INSTALLED



A07104S

- | | |
|-----------------------|--------------------------------|
| 1. Fuel Gauge | 9. 4-Connectors Housing |
| 2. Gauge O-ring | 10. Float Support |
| 3. Formed Washer | 11. Fuel Sensor |
| 4. Gauge Holder | 12. Elastic Flanged Nut M4 (5) |
| 5. Washer 7/32 (2) | 13. Female Connector (4) |
| 6. Lock Washer (2) | 14. 4-Connectors Housing |
| 7. Nut (2) | 15. Locking tie |
| 8. Male Connector (4) | 16. Fuel Tank Cap |

INSTRUCTIONS

Fuel Sensor Installation

Disconnect the battery (if equipped).

◆ WARNING

Always disconnect battery cables exactly in the specified order, BLACK negative cable first. Electrolyte or fuel vapors can be present and a spark might ignite them and possibly cause personal injuries.

◆ WARNING

Verify the fuel system, if any leak is found, do not start the engine and wipe off any fuel leakage. Failure to correct a leak could lead to an explosion. Do not use electric powered tools on snowmobile unless system has passed a leakage test.

Open the seat.

◆ WARNING

Fuel is flammable and explosive under certain conditions. Always manipulate in a well ventilated area. Do not smoke or allow open flames or sparks in the vicinity.

Close fuel shut-off valve (if equipped).

Drain the fuel tank completely.

Position tank template (found on the last pages of this document) onto tank recess. Mark all hole centers.

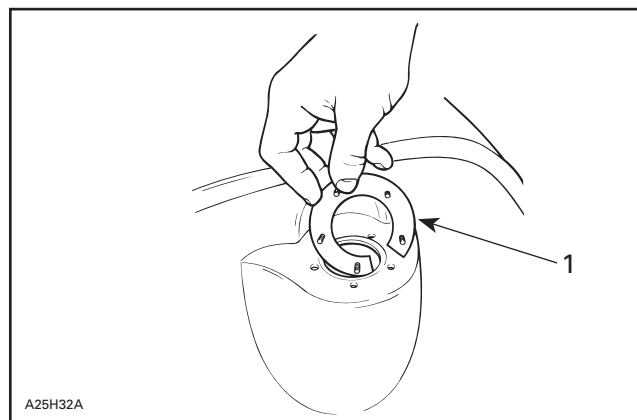
Using a 42 mm (1-21/32 in) hole saw cut the tank fuel sensor hole.

NOTE: Put a small dab of grease on the drill bit to minimize the quantity of particles from falling in the fuel tank.

Using a 4.2 mm (11/64 in) drill bit, drill the 5 fuel sensor retaining screw holes using marks as a center guide.

Thoroughly clean the fuel tank.

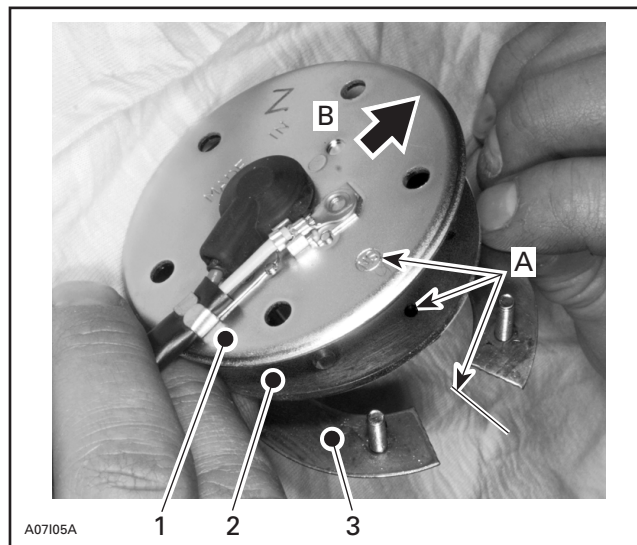
Install the float support **no. 10**, gasket (included with fuel sensor) and fuel sensor **no. 11**.



1. Float support

NOTE: Ensure that fuel sensor and gasket marks are properly aligned with center of the float support opening, as shown on the next photo.

NOTE: Fuel sensor and gasket must be installed outside tank; float support inside tank.



1. Fuel sensor
 2. Gasket (included with fuel sensor)
 3. Float support
- A. All marks aligned with center of float support opening
B. UP

Secure with elastic flanged nuts **no. 12** (M4), initially torque to 1 N•m (8 lbf•in) then finalize torque in criss-cross sequence to 2.5 N•m (22 lbf•in).

Replace the fuel tank cap with the one supplied **no. 16**.

Connect fuel sensor harness to vehicle harness. Do not close seat yet.

◆ WARNING

Reverify the fuel system, if any leak is found, do not start the engine and wipe off any fuel leakage. Failure to correct a leak could lead to an explosion.

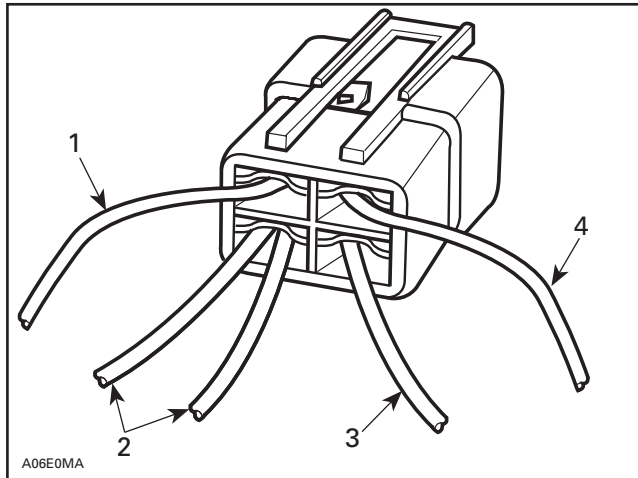
Electric Fuel Gauge Installation

Position dashboard template (found on the last pages of this document) on the center of the right side of the dashboard, cut a 63.5 mm (2.5 in) hole.

▼ CAUTION

Ensure not to damage oil tank cap. Ensure there are no wires behind the dashboard that might be damaged.

Install male connectors **no. 8** on gauge wires and position in 4-connectors housing **no. 14** as per following illustration.

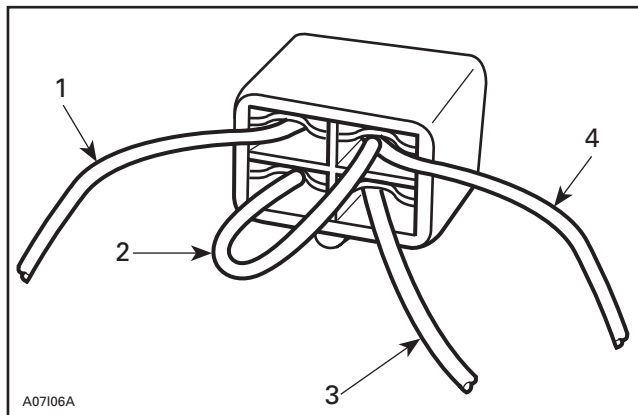


TYPICAL — FUEL GAUGE COLOR CODE

1. RED/YELLOW
2. YELLOW/BLACK
3. YELLOW
4. BLUE

Remove existing vehicle 4-connectors housing and connectors.

Replace with 4-connectors housing **no. 9** and connectors **no. 13**.



TYPICAL — VEHICLE COLOR CODE

1. BLUE
2. YELLOW
3. GREEN/YELLOW
4. YELLOW

Ensure that gauge wires correspond to vehicle wires as per following table.

GAUGE HARNESS	VEHICLE HARNESS
1. RED/YELLOW	YELLOW AND YELLOW
2. YELLOW/BLACK AND YELLOW/BLACK	GREEN/YELLOW
3. YELLOW	YELLOW
4. BLUE	BLUE

Install electric fuel gauge **no. 1** with gauge O-ring **no. 2**, formed washer **no. 3** and gauge holder **no. 4** with washers **no. 5**, lock washers **no. 6** and nuts **no. 7**.

Secure wire harness with a tie rap **no. 15**.

Connect housings.

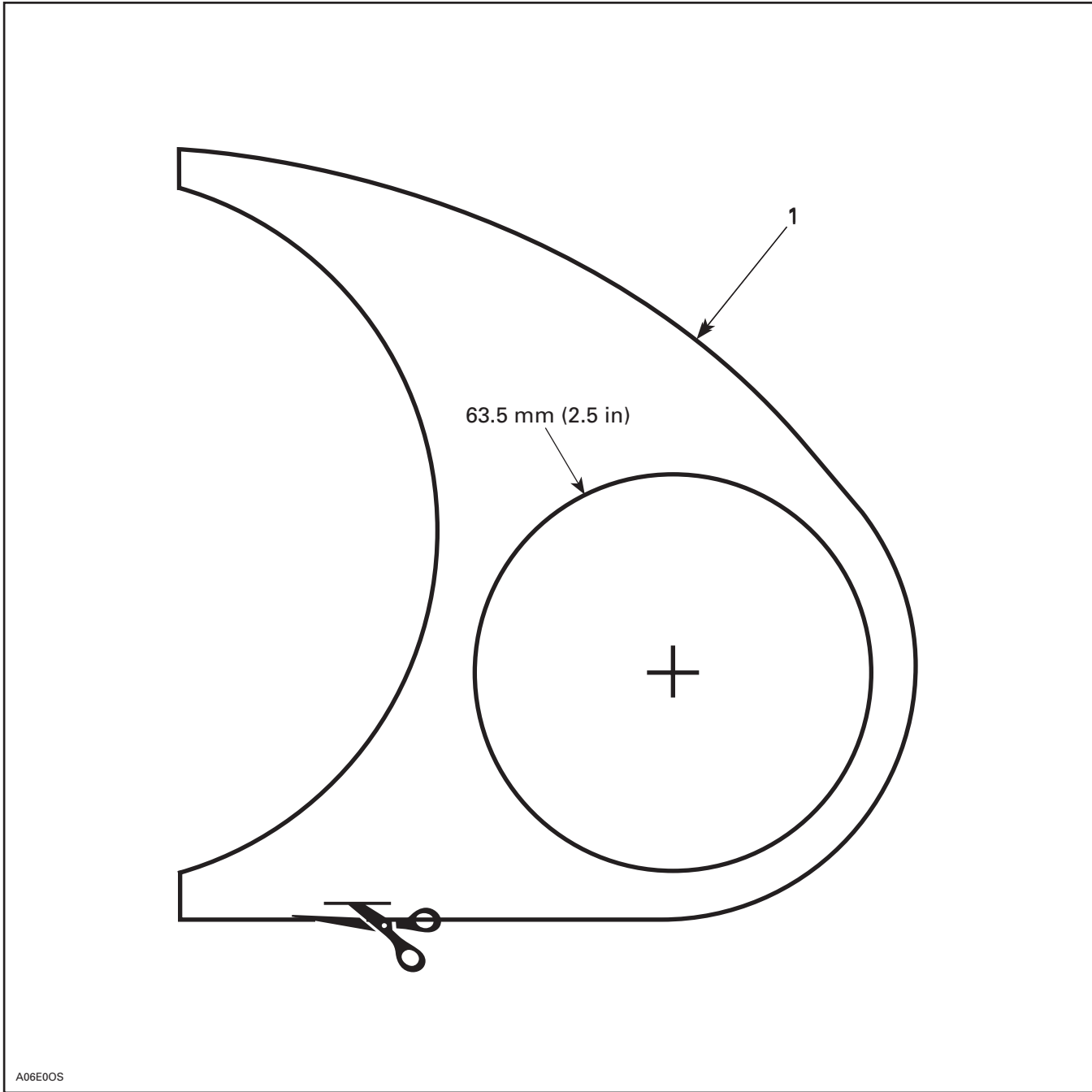
Test gauge operation with fuel tank empty and full. Ensure there is no fuel leak at the fuel sensor.

Close seat.

THIS PAGE IS PURPOSELY BLANK

DASHBOARD TEMPLATE

Use this template to position drill hole for gauge in dashboard.

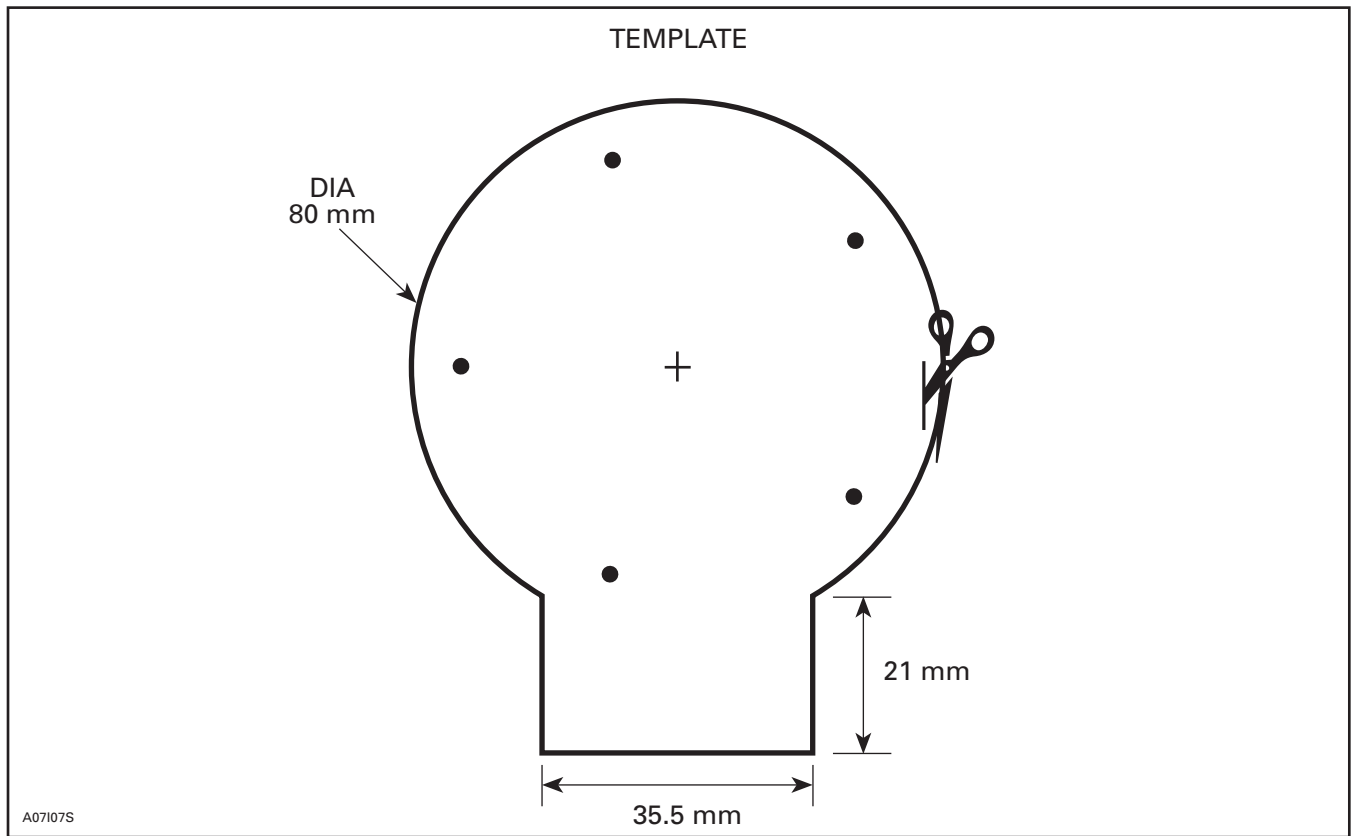


1. Position over dashboard decal

THIS PAGE IS PURPOSELY BLANK

TANK TEMPLATE

Use this template to position drill hole for fuel sensor on tank.



1. Position over tank

861 5034 00

1.	414 8063 00	Fuel Gauge	Indicateur de niveau de carburant
2.	414 8072 00	Gauge O-ring	Joint torique de l'indicateur
3.	517 2586 00	Formed Washer	Rondelle formée
4.	414 8066 00	Gauge Holder	Support de l'indicateur
5.	391 3017 00	Washer 7/32 (2)	Rondelle 7/32 (2)
6.	414 8337 00	Lock Washer (2)	Rondelle-frein (2)
7.	414 8336 00	Nut (2)	Écrou (2)
8.	561 5034 00	Male Connector (4)	Raccord mâle (4)
9.	409 2093 00	4-Connectors Housing	Logement à 4 raccords
10.	513 0325 00	Float Support	Support du flotteur
11.	410 1123 00	Fuel Sensor	Sonde de niveau de carburant
12.	228 7410 45	Elastic Flanged Nut M4 (5)	Écrou à épaulement élastique M4 (5)
13.	561 5032 00	Female Connector (4)	Raccord femelle (4)
14.	409 2049 00	4-Connectors Housing	Logement à 4 raccords
15.	414 1152 00	Locking Tie	Attache
16.	572 0396 00	Fuel Tank Cap	Bouchon du réservoir de carburant