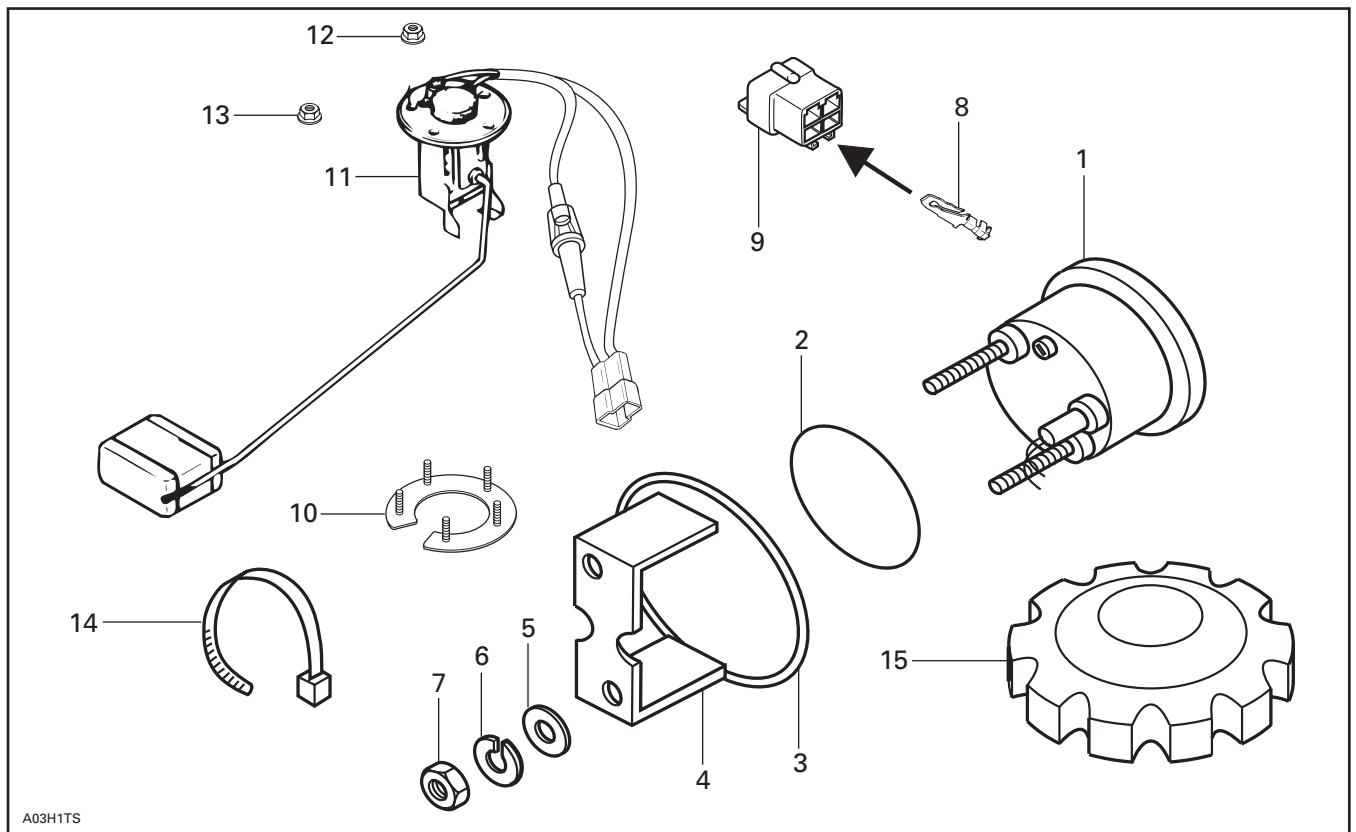




◆ **WARNING :** For safety reasons, this kit must be installed by an authorized Bombardier snowmobile dealer. Should removal of a locking device be required when undergoing disassembly/assembly, always replace with a new one. This instruction sheet should be given to the purchaser. This kit is designed for specific applicable models only. It is not recommended for vehicles other than those for which it was sold.

○ **NOTE :** Installation time is approximately 1.0 hour.

PARTS TO BE INSTALLED



- | | |
|---------------------|----------------------------------|
| 1. Fuel Gauge Black | 8. Male Connector (4) |
| 1. Fuel Gauge White | 9. 4-Connector Housing |
| 2. Gauge Packing | 10. Float Support, S-Series |
| 3. Formed Washer | 11. Fuel Sender |
| 4. Gauge Holder | 12. Flanged Nut M4 (5), S-Series |
| 5. Washer 7/32 (2) | 13. Flanged Nut M5 (5), F-Series |
| 6. Lock washer (2) | 14. Locking Tie |
| 7. Nut (2) | 15. Fuel Tank Cap |

INSTRUCTIONS

Fuel Level Sender

Disconnect the battery (if equipped).

◆ **WARNING** : Always disconnect battery cables exactly in the specified order. Disconnect **BLACK** negative ground cable first, Then **RED** positive cable. Electrolyte or fuel vapors can be present and a spark might ignite them and possibly cause personal injuries.

Remove the seat. Disconnect the connector housing between the fuel tank and the seat.

Close fuel shut-off valve (if equipped). Squeeze fuel supply line with hose pincher then unplug fuel line from valve.

S-Series Models

Drain the fuel tank completely.

Remove the tank from the vehicle.

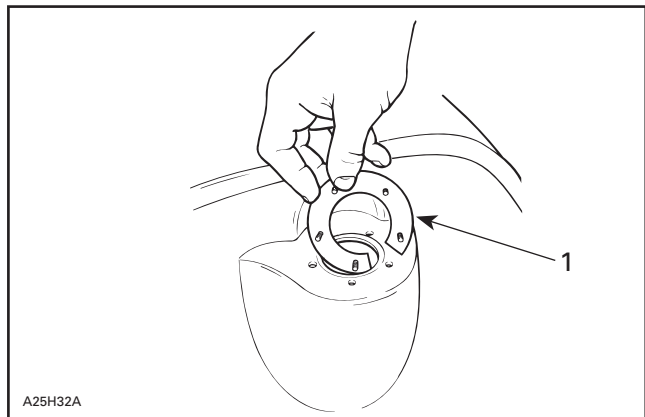
Using a 42 mm (1-21/32 in) hole saw cut the tank sender hole **using the dot as center guide**.

○ **NOTE** : Put a small dab of grease on the drill bit to minimize the quantity of particles from falling in to the fuel tank.

Using a 4.2 mm (11/64 in) drill bit, drill the 5 sender retaining screw holes using dots as a center guide.

Thoroughly clean the fuel tank.

Install the float support **no. 10**, gasket and sender unit **no. 11**.



1. Float support

Secure with flanged nuts **no. 12** (M4), initially torque to 1 N•m (8 lbf•in) then finalize torque in criss-cross sequence to 2.5 N•m (22 lbf•in).

Replace the fuel tank cap with the one supplied **no. 15**.

Properly reinstall the fuel tank. Connect sender harness. Do not reinstall seat yet.

F-Series Models

Remove the steering padding.

To lift the tank cover, drill rivets near the foot rests and remove the 2 nuts in the back of the tank cover.

Remove the tank from vehicle.

Drain the fuel tank completely.

Using a 42 mm (1-21/32 in) hole saw, cut the tank sender hole in the center of the studs.

○ **NOTE** : Put a small dab of grease on the drill bit to minimize the quantity of particles from falling in to the fuel tank.

Thoroughly clean the fuel tank.

Install the gasket and sender unit **no. 11**.

Secure with flanged nuts **no. 13** (M5), initially torque to 1 N•m (8 lbf•in) then finalize torquing in a criss-cross sequence to 2.5 N•m (22 lbf•in).

Replace the fuel tank cap with the one supplied **no. 15**.

Properly reinstall the fuel tank then the fuel tank cover with new rivets (not included). Connect sender harness. Reinstall the steering padding. Do not reinstall the seat yet.

Electric Fuel Gauge

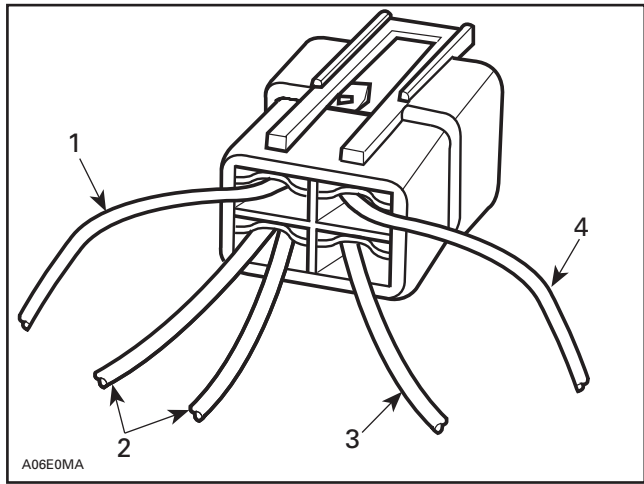
S and F-Series Models

Remove windshield .

Position template (found on the last page of this document) on the center of the RH side of the dashboard, cut a 63.5 mm (2.5 in) hole.

▼ **CAUTION** : Ensure there are no wires behind the dashboard that might be damaged.

Install male connector **no. 8** on gauge wires and position in housing **no. 9** as per following illustration.



- 1. RED/YELLOW
- 2. YELLOW/BLACK
- 3. YELLOW
- 4. BLUE

Ensure that gauge wires correspond to vehicle wires as per following table.

GAUGE HARNESS	VEHICLE HARNESS
1. RED/YELLOW	YELLOW AND YELLOW
2. YELLOW/BLACK AND YELLOW/ BLACK	YELLOW/BLACK
3. YELLOW	YELLOW
4. BLUE	BLUE

Install gauge packing **no. 2** on fuel gauge **no. 1** then install into dashboard.

Install formed washer **no. 3** then gauge holder **no. 4**.

Install flat washers **no. 5**, lock washers **no. 6** then nuts **no. 7**.

Connect housings.

Secure wire harness with a locking tie **no. 14**.

Reinstall windshield

Connect battery cables.

◆ **WARNING : Connect RED positive cable FIRST, then BLACK negative cable.**

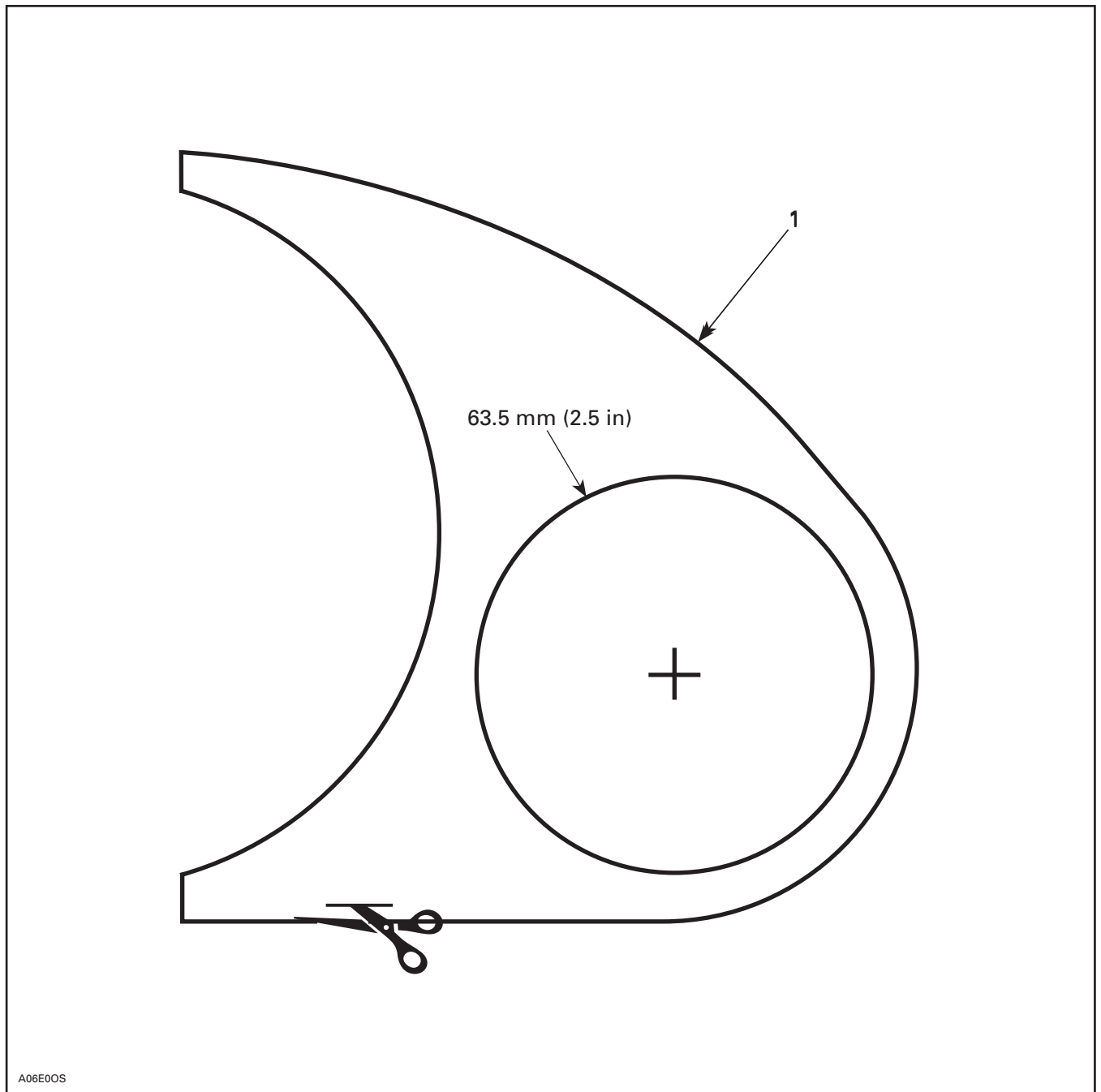
Test gauge operation with fuel tank empty and full. Ensure there is no fuel leak at the sender.

Connect seat harness and reinstall seat.

THIS PAGE IS PURPOSELY BLANK

DRILLING TEMPLATE

Use this template to position drill hole for gauge in dashboard.



A06E00S

1. Position over dashboard decal

861 5035 00

861 5036 00

1.	414 8063 00	Fuel Gauge Black	Indicateur de niveau de carburant (noir)
1.	415 0429 00	Fuel Gauge White	Indicateur de niveau de carburant (blanc)
2.	414 8072 00	Gauge Packing	Joint torique
3.	517 2586 00	Formed Washer	Rondelle
4.	414 8066 00	Gauge Holder	Support d'indicateur
5.	391 3017 00	Washer 7/32 (2)	Rondelle 7/32 (2)
6.	414 8337 00	Lock Washer (2)	Rondelle-frein (2)
7.	414 8336 00	Nut (2)	Écrou (2)
8.	561 5034 00	Male Connector (4)	Raccord (4)
9.	409 2093 00	4-Connector Housing	Logement de raccords à 4 circuits
10.	513 0325 00	Float Support, S-Series	Support de flotteur, série S
11.	580 6511 00	Fuel Sender	Capteur de niveau de carburant
12.	228 7410 45	Flanged Nut M4 (5), S-Series	Écrou à épaulement M4 (5), série S
13.	228 7510 45	Flanged Nut M5 (5), F-Series	Écrou à épaulement M5 (5), série F
14.	414 1152 00	Locking Tie	Attache
15.	572 0396 00	Fuel Tank Cap	Bouchon de réservoir de carburant