

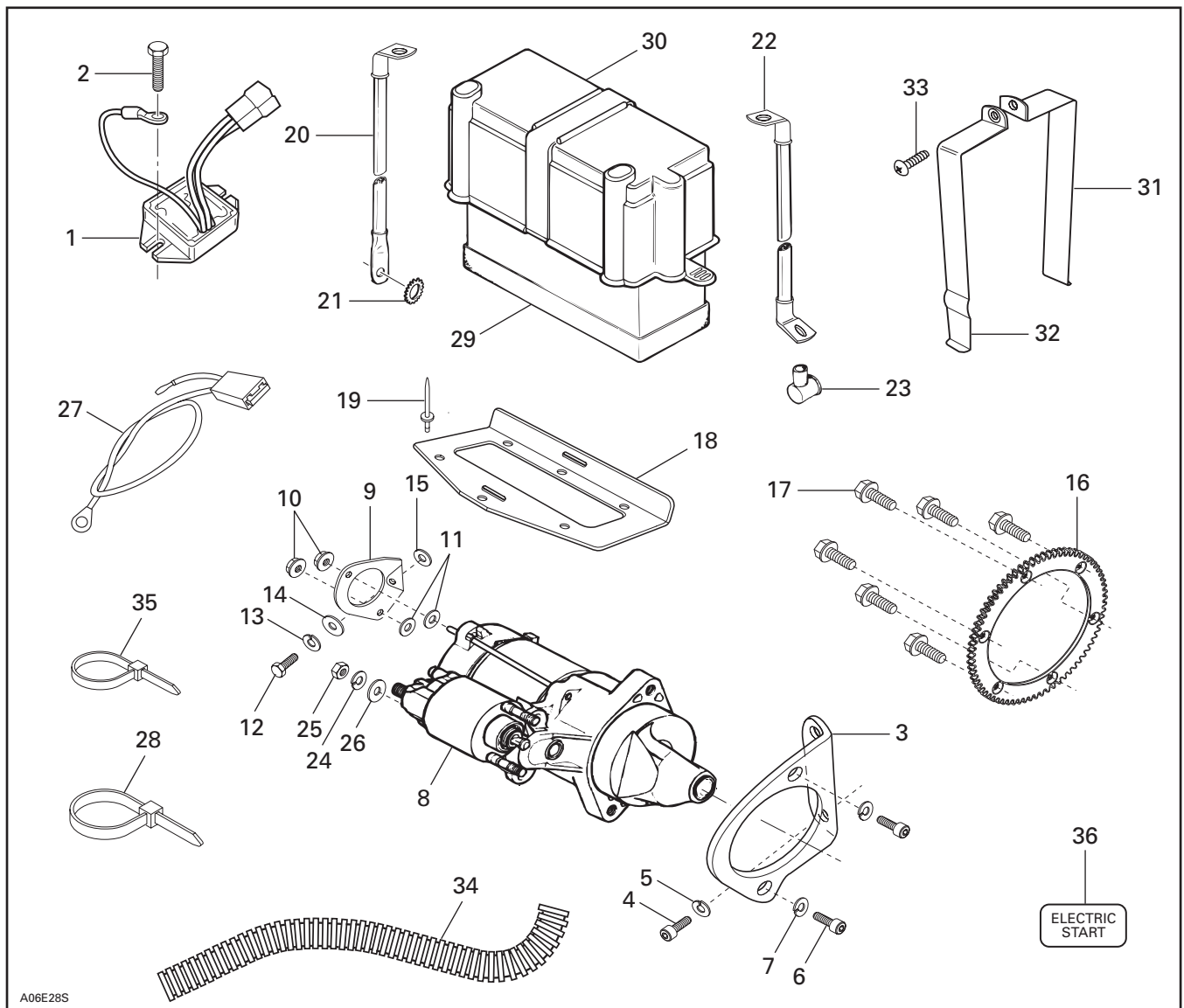


◆ WARNING

For safety reasons, this kit must be installed by an authorized Bombardier snowmobile dealer. Should removal of a locking device be required when undergoing disassembly/assembly, always replace with a new one. This instruction sheet should be given to the purchaser. This kit is designed for specific applicable models only. It is not recommended for vehicles other than those for which it was sold.

NOTE: Installation time is approximately 4 hours.

PARTS TO BE INSTALLED



1. Regulator/Rectifier
2. Self-Tapping Screw M6 X 16 (2)
3. Starter Support PTO
4. Socket Screw M8 x 20 (2)
5. Lock Washer M8 (2)
6. Socket Screw M8 x 25 (2)
7. Lock Washer M8 (2)
8. Starter
9. Starter Support MAG
10. Elastic Flanged Nut M5 (2)
11. Washer 7/32 (2)
12. Socket Screw M8 x 20
13. Lock Washer M8
14. Washer M8
15. Hardened Washer (2)
16. Ring Gear
17. Self-Tapping Screw M8 X 16 (6)
18. Battery Seat

19. Rivet (6)
20. Black Negative Ground Cable
21. Star Washer 1/4
22. Red Positive Battery Cable
23. Protector Cap
24. Lock Washer M8
25. Nut M8
26. Washer M8
27. Fuse Holder
28. Locking Tie (8)
29. Battery
30. Battery Cover
31. Welded Steel Strip
32. Steel Strip
33. Machine Screw M5 X 20
34. Protector
35. Locking Tie
36. Decal

INSTRUCTIONS

Battery Preparation

Prior to electric starter kit installation, battery must be charged. Refer to Shop Manual for procedure.

WARNING

Never charge or boost battery while connected or installed on vehicle.

Vehicle Preparation

Close fuel shut off valve.

Remove tuned pipes, muffler, belt guard, drive belt, air intake silencer.

Loosen drive pulley retaining screw for later removal.

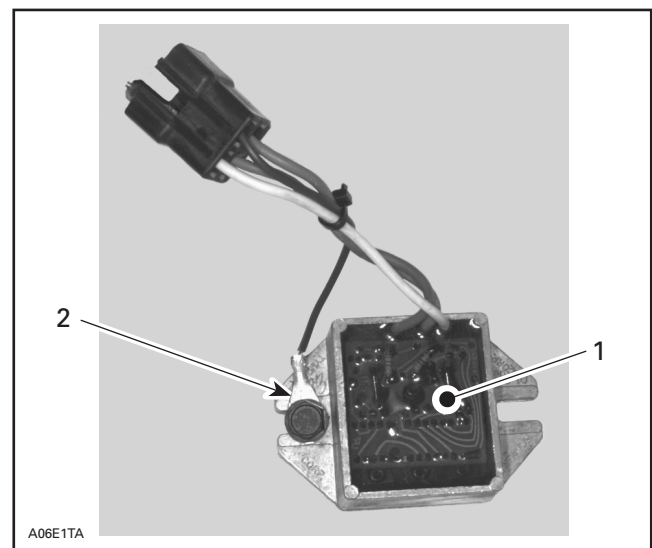
Regulator/Rectifier

Unscrew front engine support bolts from vehicle frame. Lift engine enough so a hand can pass under to reach the rectifier. Support the engine using a wood block.

CAUTION

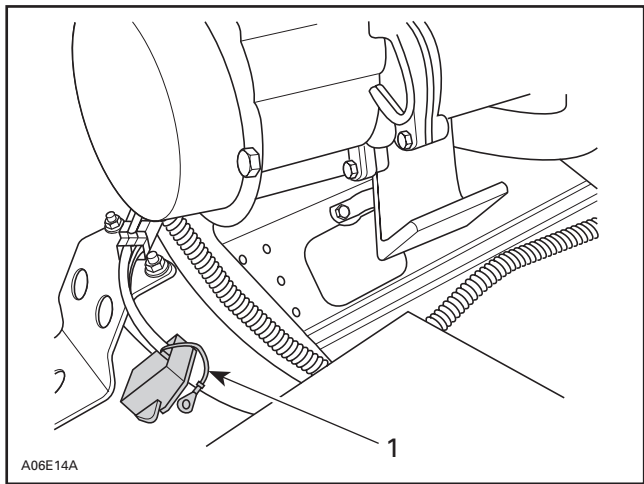
In order to prevent oil lines damage, do not lift engine supports more than 4 inches.

Replace original regulator/rectifier, located along RH side member of frame. Discard fasteners. Secure the regulator/rectifier **no. 1** on both sides with a self-tapping bolt M6 **no. 2** and the ground wire from regulator/rectifier.



1. Regulator/Rectifier
2. Connect ground wire here

Apply silicone dielectric grease (P/N 413 7017 00) in connectors of regulator/rectifier and vehicle harness then connect them. Secure connectors with a locking tie **no. 28**.



A. Regulator/Rectifier

NOTE: Ensure wire colors are matched as follows:

REGULATOR/ RECTIFIER WIRES	VEHICLE WIRES
RED	RED/BLUE
YELLOW	YELLOW
GREEN	YELLOW/BLACK
BLACK	BLACK

Ring Gear

Remove drive pulley. Refer to appropriate *Shop Manual* to perform drive pulley disassembly/assembly procedures and to proceed with pulley alignment.

Secure ring gear **no. 16** on inner half using self-tapping screws **no. 17**. Apply Loctite 271 (red) on screw threads.

▼ CAUTION

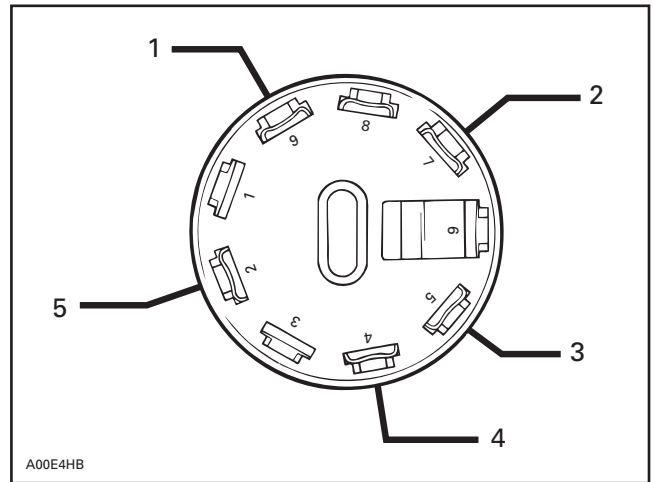
Loctite 271 (red) must be applied to safely assemble ring gear.

Torque screws in a criss-cross sequence to 27 N•m (20 lbf•ft).

Do not reinstall drive pulley at this time.

Ignition Switch

Cut locking tie and separate connector from ignition switch. Slide the shortest wire of fuse holder **no. 27** inside connector boot. Connect the terminal in position **no. 7**.



1. RED/GREEN wire to solenoid
2. RED wire with fuse to battery
3. BLACK
4. RED/BLUE
5. BLACK/YELLOW

Replug connector to switch and secure wires with locking ties.

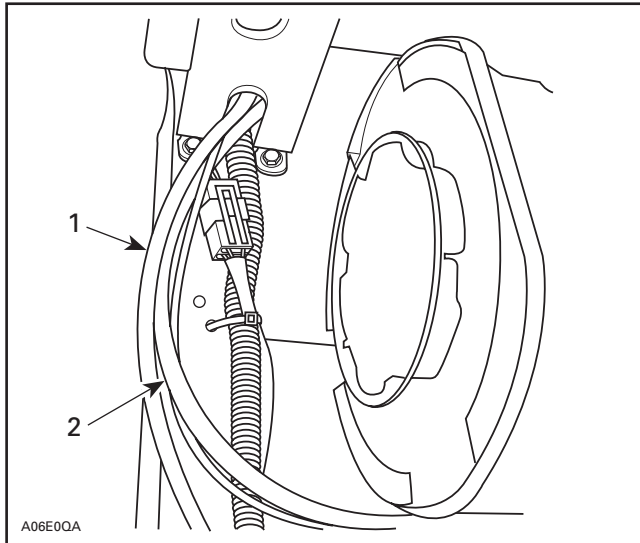


1. Locking tie

Wire/Cable Connections and Routing

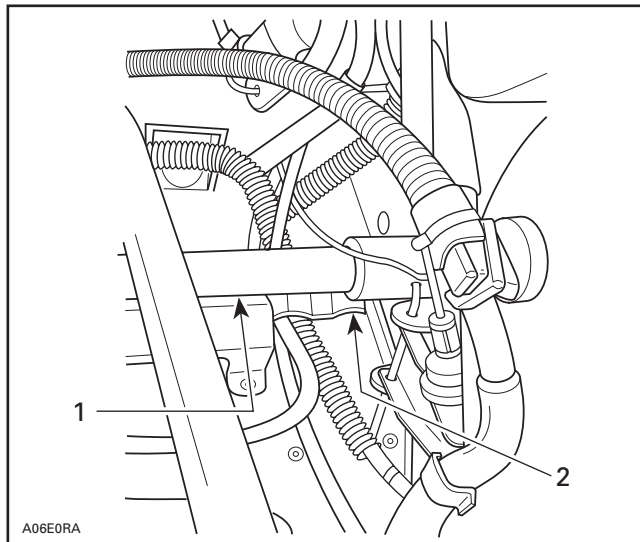
Ensure that 1 terminal of each battery cable **no. 20** and **no. 22** is bent to 90°. Bend as necessary.

Starting from battery location, route battery cables toward starter location along vehicle harness. The bent terminals will be connected to the battery.



1. RED cable to battery
2. BLACK cable to battery

NOTE: Route cables through free bracket underneath countershaft.

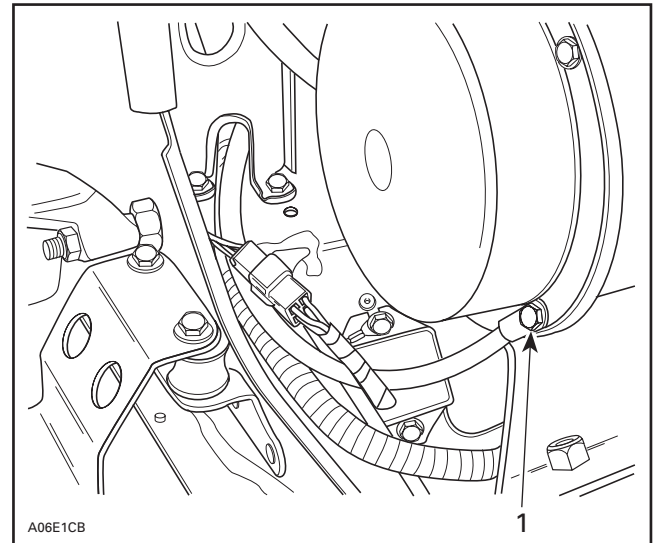


1. Countershaft
2. Bracket

Lower engine then secure using existing washers and bolts.

Install BLACK battery ground cable **no. 20** with star washer **no. 21** to the rewind starter. Secure with the existing rewind starter screw. Refer to the following illustration for proper cable positioning.

NOTE: Connect BLACK ground cable in the specified order. Position star washer first then BLACK ground cable and tighten with original screw.



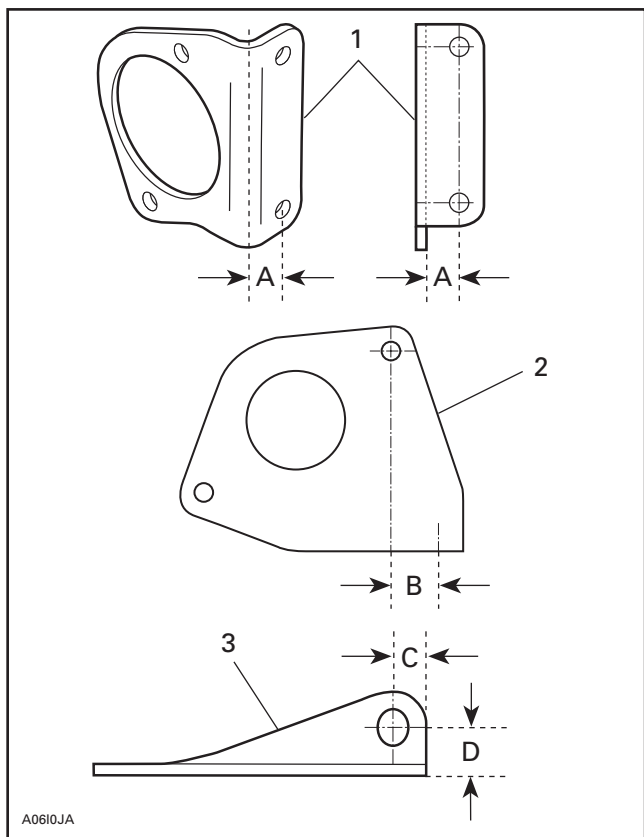
TYPICAL

Electric Starter

▼ CAUTION

Apply Loctite 271 (red) on all fastener threads of starter supports.

Install starter support PTO side **no. 3** to engine using socket screws **no. 4** and lock washers **no. 5**. Tighten firmly.



1. Starter support PTO side
2. Starter support MAG side (front view)
3. Starter support MAG side (side view)
- A. 17.8 mm (11/16 in)
- B. 17.7 mm (11/16 in)
- C. 9 mm (11/32 in)
- D. 13.8 mm (17/32 in)

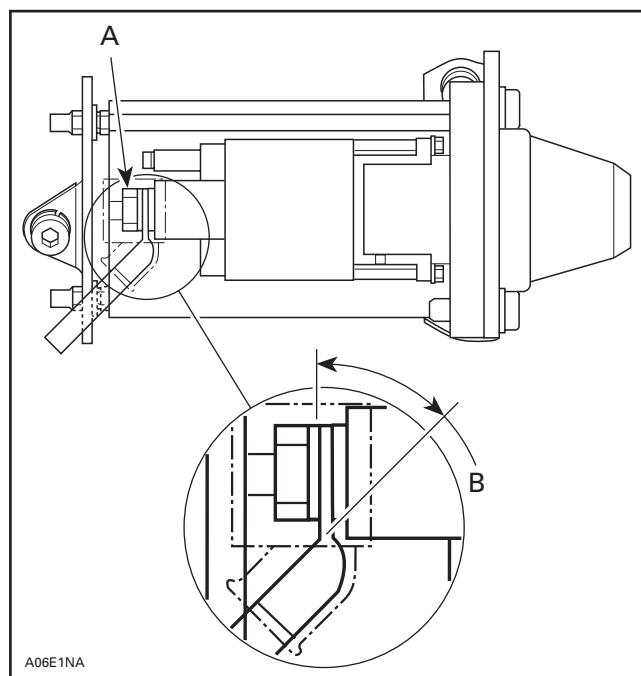
Install electric starter **no. 8** on support, bottom bolts first and secure it using M8 x 25 socket screws **no. 6** and lock washers M8 **no. 7**.

Install flat washers M6 **no. 11** over nuts of starter through bolts.

Install starter support MAG side **no. 9** to starter and secure with M5 nuts **no. 10**.

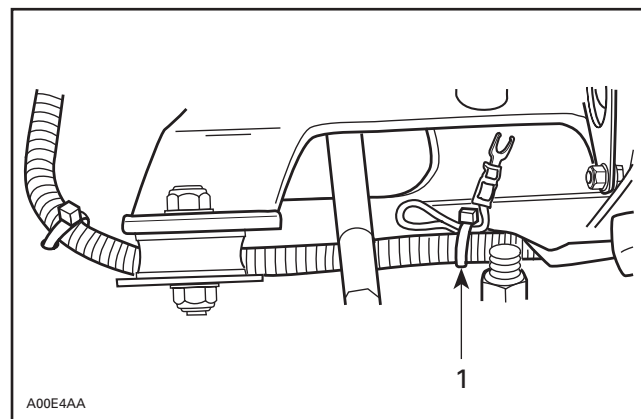
If necessary, install hardened washer(s) **no. 15** to fill the gap between the support and the engine. Secure the support to engine with M8 x 20 screw **no. 12**, flat washer **no. 14** and lock washer **no. 13**.

Slide protector **no. 34** and protection cap **no. 23** on the positive RED battery wire **no. 22**. Install RED wire, flat washer M8 **no. 26**, lock washer M8 **no. 24** and nut M8 **no. 25** to the starter, turn cable end as much as possible towards the engine. Tighten nut to 13 N•m (10 lbf•ft). Bend cable end at 45° and cover the terminal with protector cap **no. 23**.



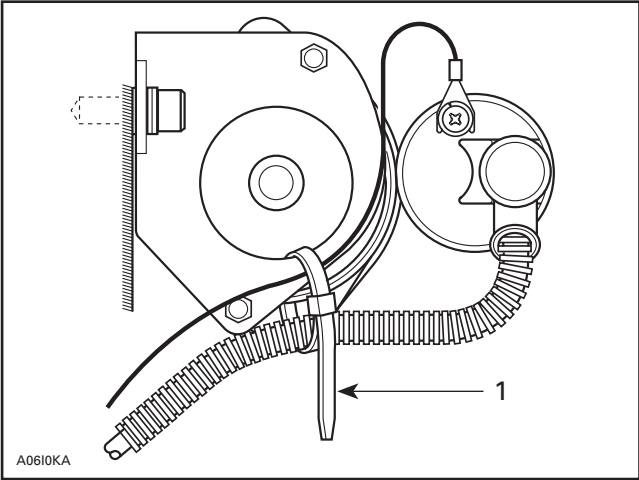
- A. 13 N•m (10 lbf•ft)
- B. 45°

Cut the locking tie as illustrated. Connect RED/GREEN wire to the small post on solenoid. Position terminal under lock washer.



1. Locking tie

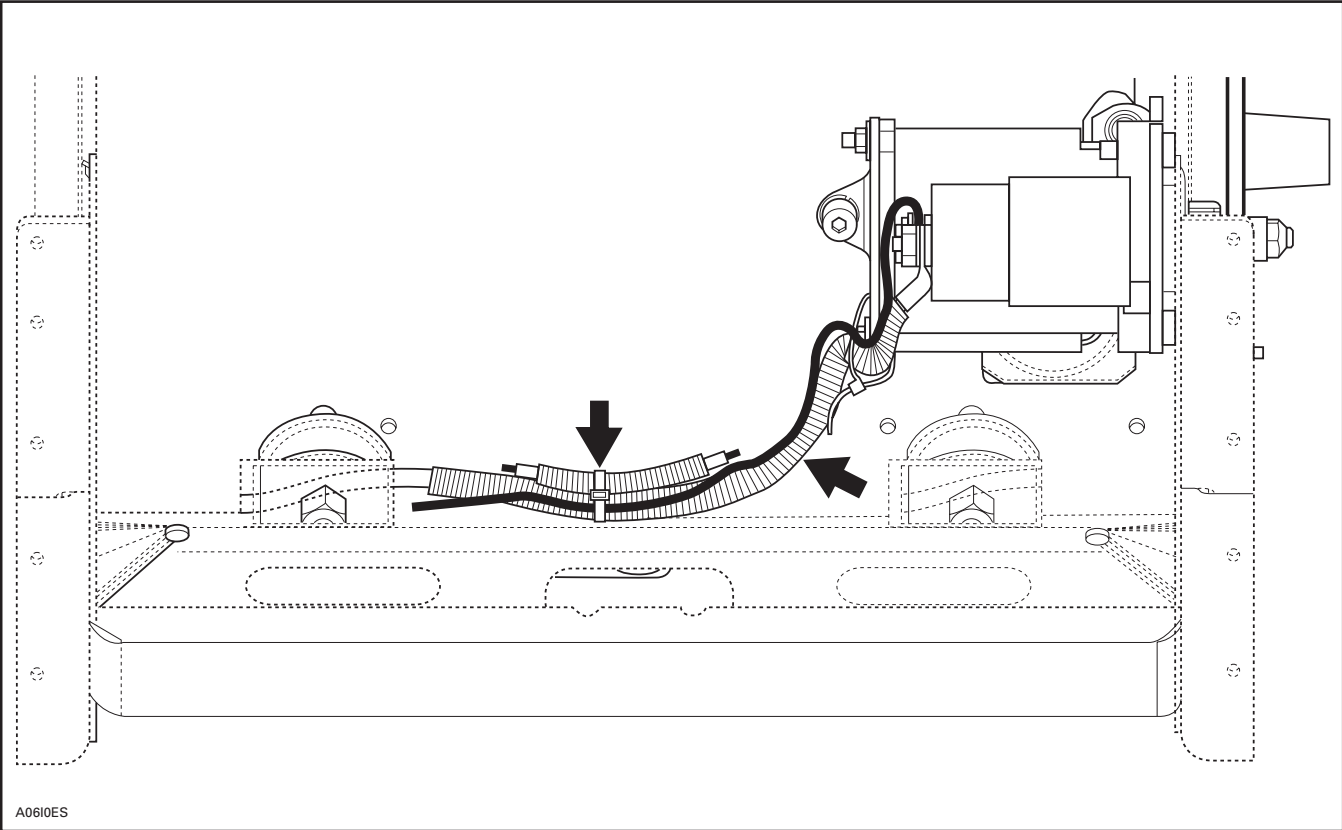
Using locking tie **no. 28**, tie down positive cable loosely to starter rear bracket as illustrated.



1. Tie loosely

Pull out excess amount of cable from underneath engine.

Using long locking tie **no. 35** secure harnesses to torsion bar under central steering tie-rod as illustrated on the following illustration.



TOP VIEW

Secure all cables/wires with locking ties **no. 28** supplied.

◆ **WARNING**

Ensure all terminals are properly crimped on wires/cables and that all connector housings are properly fastened. Keep wires away from any rotating, moving, heating, vibrating and sharp edge. Use proper fastening devices as required.

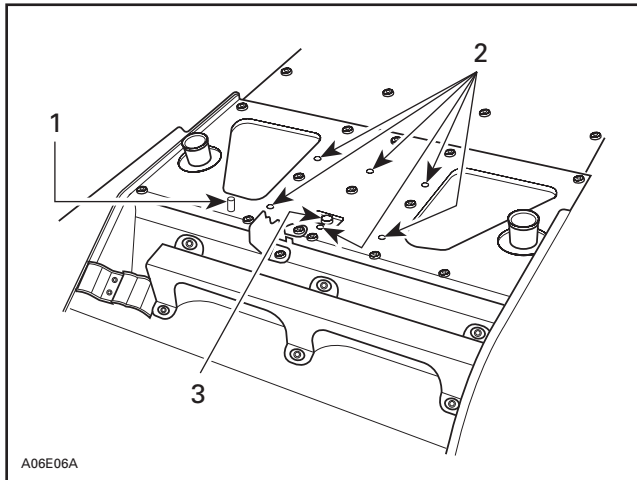
Battery and Rack

▼ **CAUTION**

Cover carburetor intakes with a clean rag during the following drilling operation.

Drill 6 holes in chassis with a 5.2 mm (13/64 in) drill bit as shown. Use existing holes in chassis as a template. Push down the plastic cap.

Secure battery rack with rivets **no. 19**.



1. Hollow rivet
2. Drill 5.2 mm (13/64 in) holes
3. Push down plastic cap

Install battery **no. 29** in rack. Connect vent tube to battery and other end to hollow rivet of chassis. Cut vent tube to proper length as necessary. Ensure that the tube used is not kinked or bent.

◆ **WARNING**

Vent tube must be free and open. A kinked or bent tube will restrict battery ventilation and allow gas accumulation that could cause an explosion.

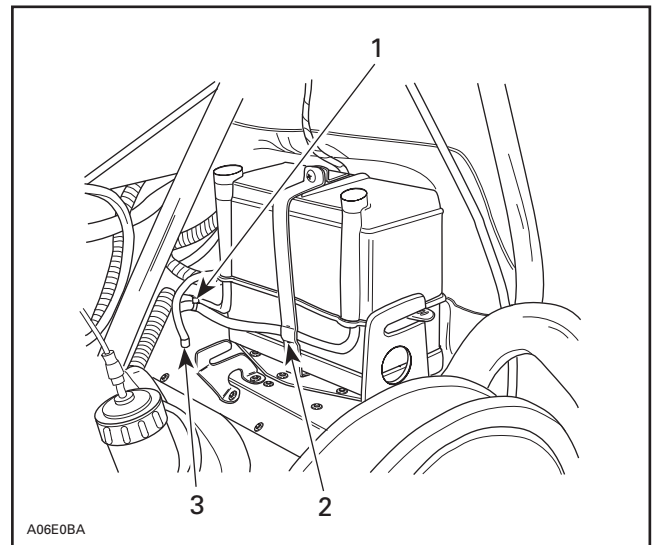
Connect RED positive battery cable and RED wire with fuse (from ignition switch) to battery then connect BLACK ground cable. Secure cables on top of the battery posts.

◆ **WARNING**

Always connect the battery cables exactly in the specified order. Connect RED positive cable first, then BLACK negative ground cable.

Install battery cover **no. 30** and secure with strips, **no. 32** and **no. 31** and M5 x 20 screw **no. 33**. Position RED cable and RED wire in indentation on strip.

Fasten battery cables using a locking tie **no. 28** as shown.



1. Locking tie on battery cables here
2. RED cable secured by strip
3. Vent tube on hollow rivet

Finalizing Assembly

Refer to the Ski-Doo Shop Manual for proper reinstallation procedure.

Reinstall drive pulley.

Check pulley alignment.

WARNING

Drive pulley alignment must always be checked whenever pulleys have been removed, replaced or disassembled.

Reinstall remaining removed parts.

NOTE: Apply Dow Corning sealer no. 736 RTV on exhaust manifold ball joint.

Test electrical starting and ignition cut-out systems as per normal starting procedure for electric starter models.

Decal

Clean decal region with soapy water or isopropyl alcohol using a soft clean cloth and dry thoroughly.

CAUTION

Do not apply isopropyl alcohol on decal.

Remove backing from decal.

Apply decal no. **36** beside heating grip decal on the left side of hood.

861 5032 00

1.	515 1639 00	Regulator/Rectifier	Régulateur/redresseur
2.	732 6000 02	Self-Tapping Screw M6 X 16 (2)	Vis autotaraudeuse M6 X 16 (2)
3.	512 0538 00	Starter Support PTO	Support de démarreur côté PDM
4.	222 9820 65	Socket Screw M8 x 20 (2)	Vis à tête creuse M8 x 20 (2)
5.	420 9457 52	Lock Washer M8 (2)	Rondelle-frein M8 (2)
6.	222 9825 65	Socket Screw M8 x 25 (2)	Vis à tête creuse M8 x 25 (2)
7.	224 7811 40	Lock Washer M8 (2)	Rondelle-frein M8 (2)
8.	410 2124 00	Starter	Démarreur
9.	512 0537 00	Starter Support MAG	Support de démarreur côté MAG
10.	228 7510 45	Elastic Flanged Nut M5 (2)	Écrou à épaulement élastique M5 (2)
11.	391 3017 00	Washer 7/32 (2)	Rondelle 7/32 (2)
12.	222 9820 65	Socket Screw M8 x 20	Vis à tête creuse M8 x 20
13.	420 9457 52	Lock Washer M8	Rondelle-frein M8
14.	224 0811 71	Washer M8	Rondelle M8
15.	503 0079 00	Hardened Washer (2)	Rondelle trempée (2)
16.	415 0431 00	Ring Gear	Couronne de lancement
17.	732 6012 46	Self-Tapping Screw M8 X 16 (6)	Vis autotaraudeuse M8 X 16 (6)
18.	517 2862 00	Battery Seat	Base de batterie
19.	390 4022 00	Rivet (6)	Rivet (6)
20.	515 1575 00	Black Negative Ground Cable	Câble de masse négatif (NOIR)
21.	394 0019 00	Star Washer 1/4	Rondelle-étoile 1/4
22.	515 1613 00	Red Positive Battery Cable	Câble positif de la batterie (ROUGE)
23.	570 1510 00	Protector Cap	Capuchon de protection
24.	420 9457 52	Lock Washer M8	Rondelle-frein M8
25.	228 0810 45	Nut M8	Écrou M8
26.	224 0811 71	Washer M8	Rondelle M8
27.	515 1573 00	Fuse Holder	Porte-fusible
28.	414 1152 00	Locking Tie (8)	Attache (8)
29.	410 3011 00	Battery	Batterie
30.	570 0220 00	Battery Cover	Couvercle de batterie
31.	517 2860 00	Welded Steel Strip	Bande d'acier soudée
32.	517 2861 00	Steel Strip	Bande d'acier
33.	222 0520 65	Machine Screw M5 X 20	Vis à métaux M5 X 20
34.	414 6273 00	Protector	Gaine de protection
35.	748 0010 01	Locking tie	Attache
36.	418 0013 00	Decal	Autocollant