



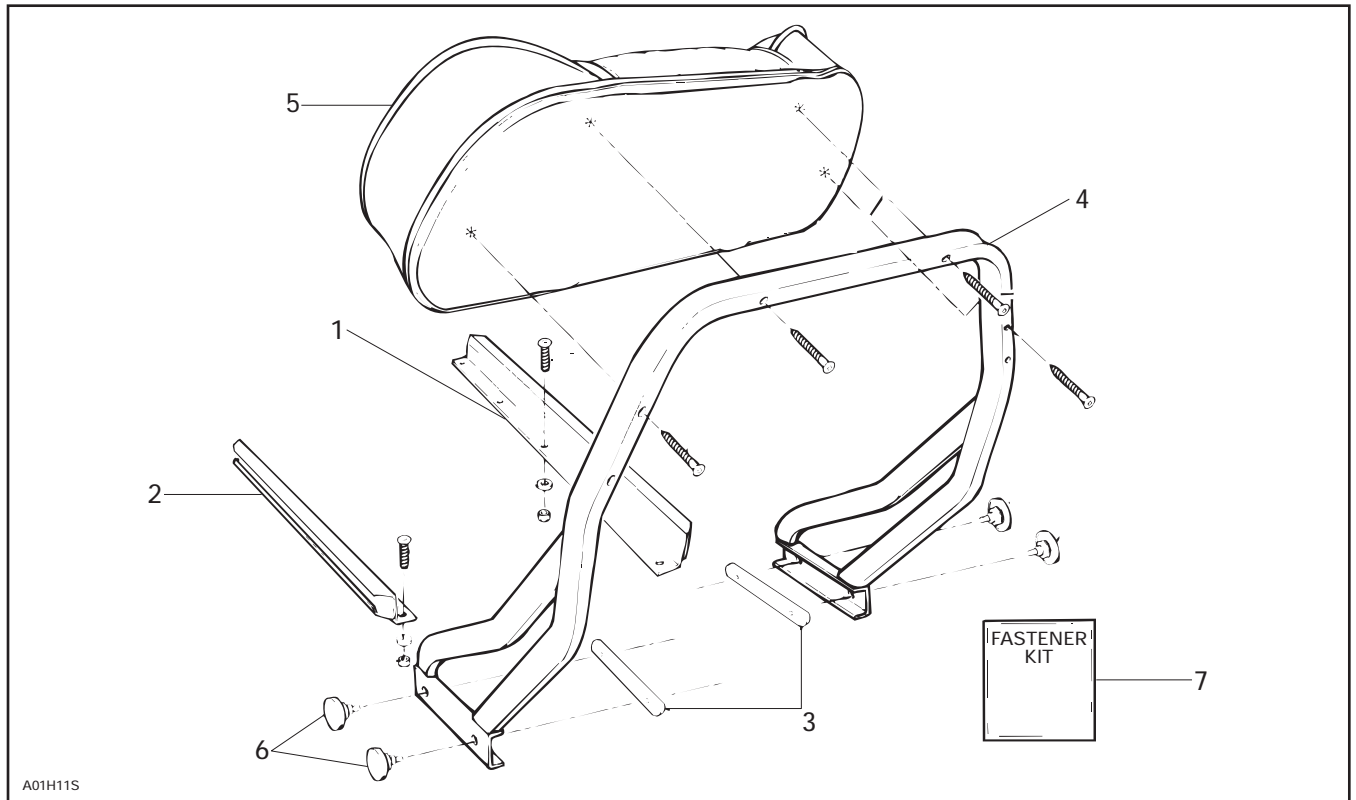
◆ **WARNING** : For safety reasons, this kit must be installed by an authorized BombardierSki-Doo snowmobile dealer. Should removal of a locking device be required when undergoing disassembly/assembly, always replace with a new one. This instruction sheet should be given to the purchaser after modification. This kit is designed for specific applicable models only. It is not recommended for snowmobiles other than those for which it was sold.

▼ **CAUTION** : Do not install any baggage rack with this kit.

○ **NOTE** : Ask your dealer about adjustable backrest kit with luggage rack.

○ **NOTE** : installation time is approximately 1.0 hour.

PARTS TO BE INSTALLED



- 1. Rail, Right Side
- 2. Rail, Left Side
- 3. Sliding Plate (2)
- 4. Backrest Frame

- 5. Cushion
- 6. Adjustable Knob (4)
- 7. Mounting Hardware (Bag containing Bolts, Washers, Nuts and Wood Screws)

PREPARATION

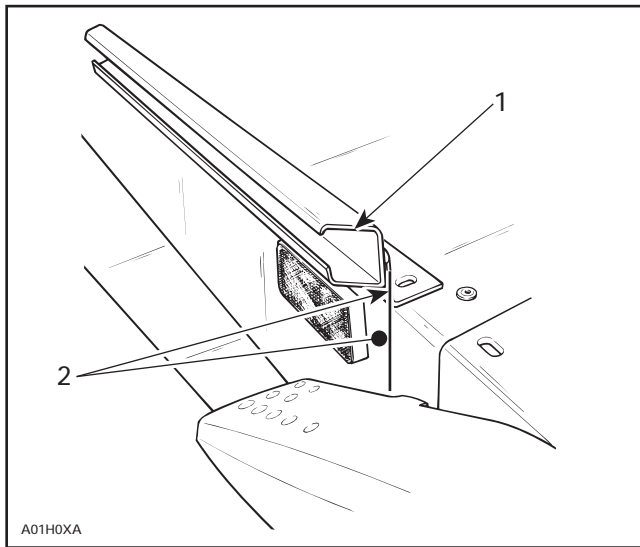
Tools Required

- Measuring tape
- Drill
- 6.5 mm (1/4 in) drill bit
- Robertson screwdriver **no. 3** (black, square tip)
- 10 mm (3/8 in) and 11 mm (7/16 in) wrenches or sockets with 30 mm (12 in) extension and ratchet.

INSTALLATION

Remove seat from vehicle.

Lean rail **no. 1** on tunnel so that the back of the steel angle is flush with edge of tunnel.



1. Slide of rail higher than tunnel
2. Flush with edge of tunnel

Install rail so that the slots align with those that are on the tunnel.

Hold rail firmly and using a punch, mark the slots on the tunnel for drilling references.

Using rail as a template, drill holes in frame with a 6.5 mm (1/4 in) drill bit.

▼ **CAUTION** : When drilling, align the drill bit in the center of the slot and at the outer edge to allow proper adjustment.

◆ **WARNING** : Be careful not to drill heat exchangers underneath frame.

Install rail with mounting hardware **no. 7**. Insert bolts from top and then washers and nuts from beneath.

○ **NOTE** : Wood screws from the mounting hardware bag will be used later in the installation.

Use the ratchet and extension for easy access beneath the tunnel. Tighten the nuts loosely for now. Repeat procedure for the other side using left hand rail **no. 2**.

Reinstall seat (do not tighten) to adjust the rail distance accordingly.

Insert the sliding plates **no. 3** into the rails, the backrest frame **no. 4** onto rails and install the adjustable knobs **no. 6**. Tighten knobs loosely.

Slide the backrest frame forward and back to assure the rails are parallel and that the frame movement is unobstructed.

Remove seat and tighten the bolts on each rail.

Slide the backrest frame forward and back again to assure easy movement.

IMPORTANT: Adjust backrest width prior to installing cushion.

Position the cushion **no. 5** on the backrest frame so that it is centered both from side to side and top to bottom.

Secure cushion with wood screws **no. 7**.

Apply a light coat of grease on sliding surface of rails.

Adjust backrest to desired position and tighten adjustment knobs.

Reinstall seat.

◆ **WARNING** : Periodically check the adjustment knobs to assure that they are tight.

861 7542 00

1.	415 0100 00	Rail, Right Side	Rail (côté droit)
2.	415 0101 00	Rail, Left Side	Rail (côté droit)
3.	414 7359 00	Sliding Plate (2)	Plaque coulissante (2)
4.	415 0373 00	Backrest Frame	Châssis de dossier
5.	415 0374 00	Cushion	Coussin
6.	414 7183 00	Adjustable Knob (4)	Bouton réglable (4)
7.	414 7362 00	Mounting Hardware (Bag containing Bolts, Washers, Nuts and Wood Screws)	Dispositifs de fixation (sac contenant les boulons, les rondelles, les écrous et les vis à bois)