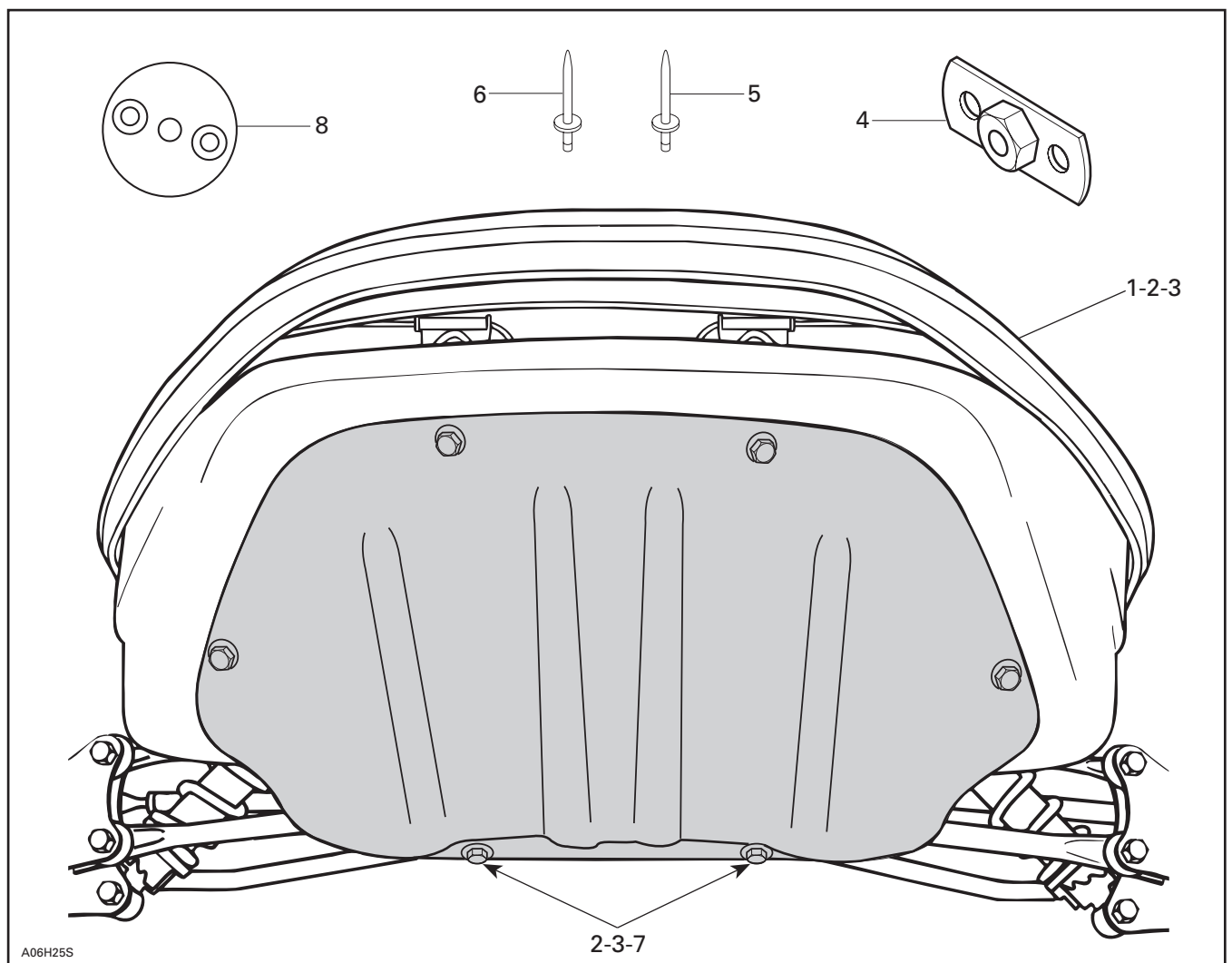




◆ **WARNING :** For safety reasons, this kit must be installed by an authorized Bombardier snowmobile dealer. Should removal of a locking device be required when undergoing disassembly / assembly, always replace with a new one. This instruction sheet should be given to the purchaser. This kit is designed for specific applicable models only. It is not recommended for vehicles other than those for which it was sold.

○ **NOTE :** Installation time is approximately 1.0 hour.

### PARTS TO BE INSTALLED



A06H25S

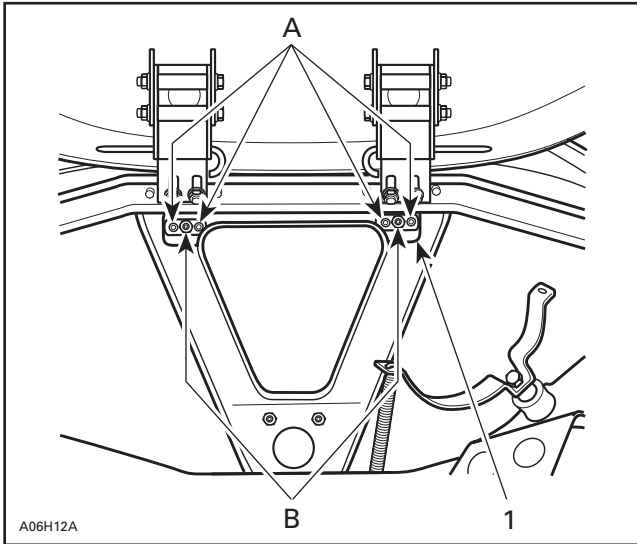
- 1. Skid Plate (Black)
- 1. Skid Plate (Red)
- 2. Bolt M6 x 35 (2)
- 3. Bolt M6 x 25 (4)
- 4. Lock Washer M6 (6)

- 5. Washer M6 (6)
- 6. Spacer (2)
- 7. Plate (6)
- 8. Rivet Black (8)
- 9. Rivet (4)

# INSTRUCTIONS

Remove tuned pipe(s).

Push bottom pan away from front reinforcement, then insert a screwdriver handle between them.



- 1. Template
- A. 4.8 mm (3/16 in) holes.
- B. 8 mm (5/16 in) holes.

For models that the holes are not already drilled, position template (see last page of this instruction sheet) on front reinforcement as illustrated. With a center punch, mark center of small holes (4) then drill 4.8 mm (3/16 in).

Remove screwdriver from behind front reinforcement. Drill 8 mm (5/16 in) center hole through reinforcement and bottom pan (both sides).

Install spacer **no. 6** between front reinforcement and bottom pan. Install 2 plates **no. 7** on top of reinforcement then secure with rivets **no. 9**.

Safely lift and hold front of vehicle to work under.

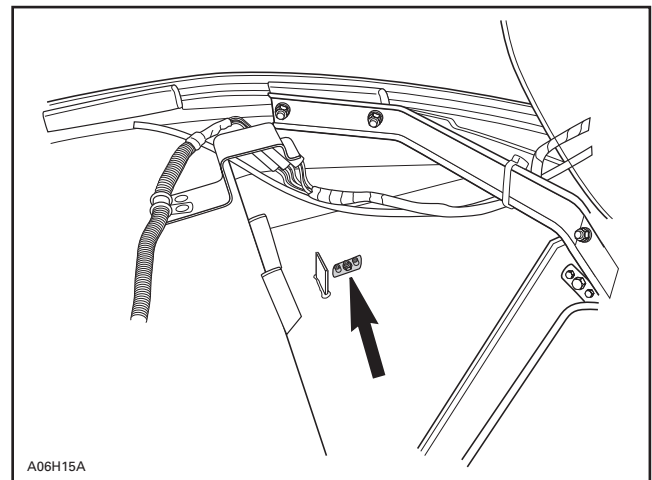
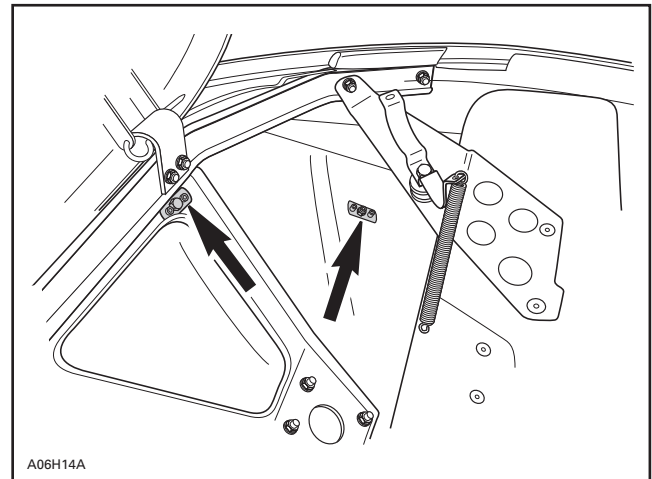
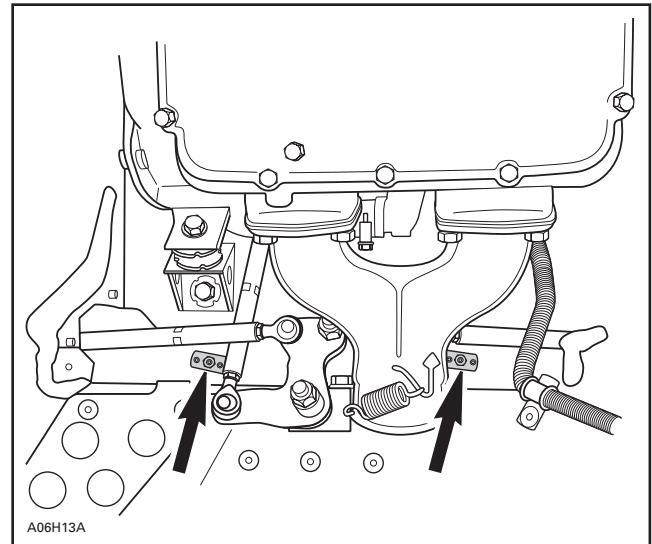
Temporarily install skid plate **no. 1** using M6 x 35 bolts **no. 2**, M6 lock washers **no. 4** and flat washers **no. 5** (hand tight).

Center skid plate with bottom pan and drill all other 8 mm (5/16 in) holes.

Remove skid plate.

Using plate **no. 7** as a jig, drill all (8) 4.8 mm (3/16 in) holes if necessary.

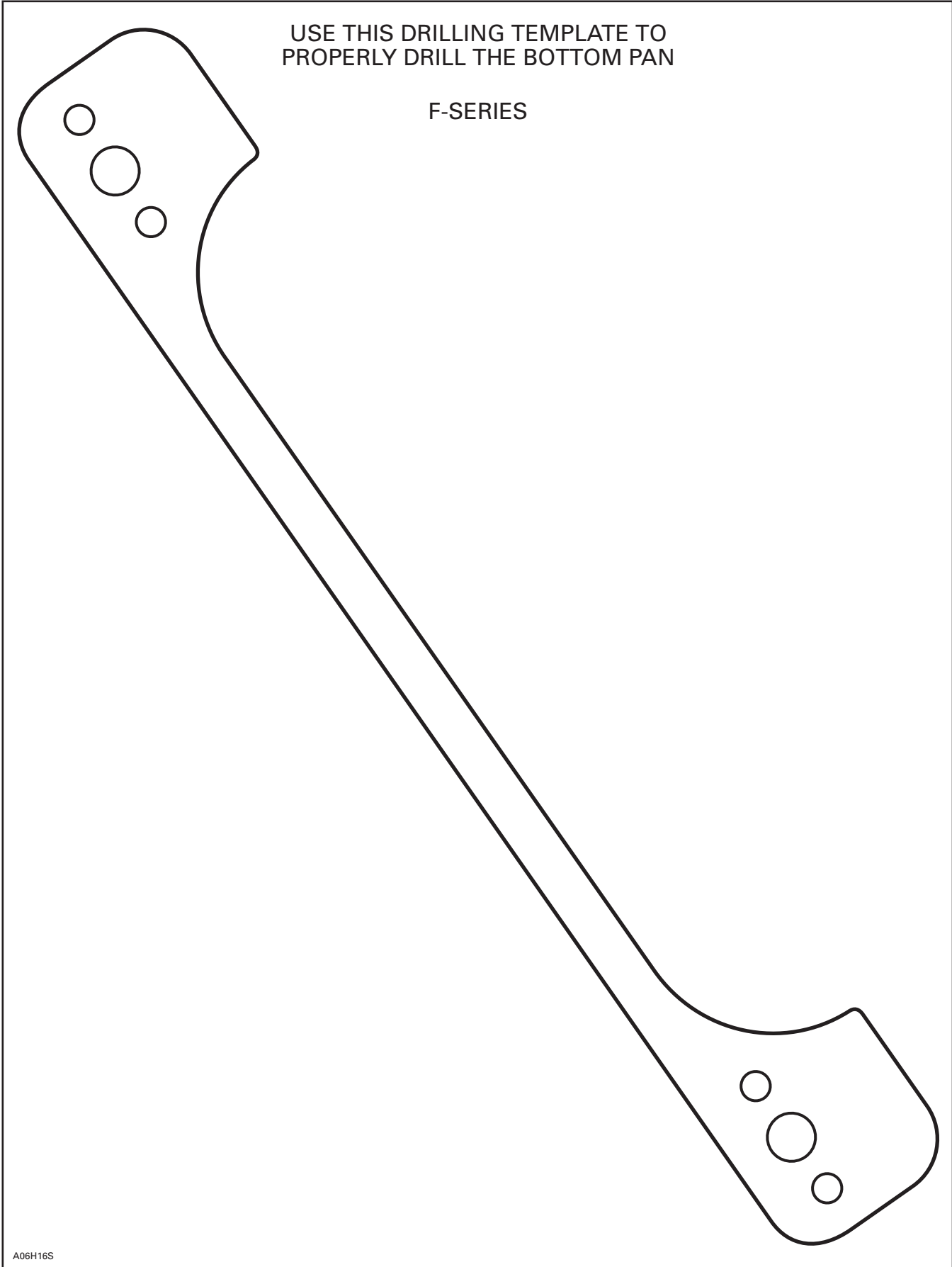
Secure brackets with black rivets **no. 8** (from outside).



Install and secure with M6 x 25 bolts **no. 3**, M6 lock **no. 4** and flat washers **no. 5**.

Reinstall tuned pipe(s).

USE THIS DRILLING TEMPLATE TO PROPERLY DRILL THE BOTTOM PAN



861 7472 00  
861 7536 00

1.	572 0727 00	Skid Plate (Black)	Plaque protectrice (noire)
1.	572 0829 00	Skid Plate (Red)	Plaque protectrice (rouge)
2.	222 0635 65	Bolt M6 x 35 (2)	Boulon M6 x 35 (2)
3.	222 0625 65	Bolt M6 x 25 (4)	Boulon M6 x 25 (4)
4.	224 7611 10	Lock Washer M6 (6)	Rondelle-frein M6 (6)
5.	224 0612 01	Washer M6 (6)	Rondelle M6 (6)
6.	517 2698 03	Spacer (2)	Entretoise (2)
7.	517 2698 00	Plate (6)	Plaque (6)
8.	390 4096 00	Rivet Black (8)	Rivet noir (8)
9.	390 4023 00	Rivet (4)	Rivet (4)