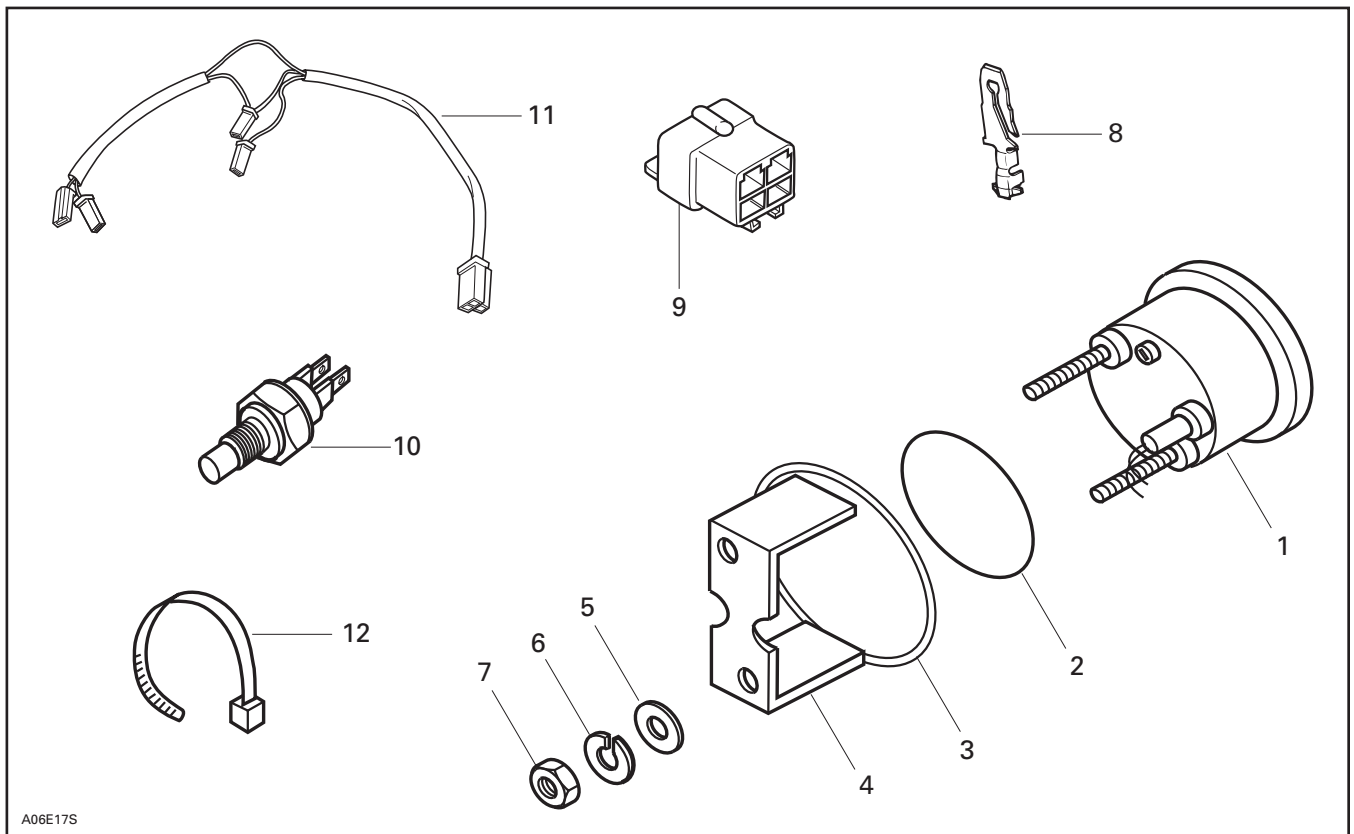




◆ **WARNING :** For safety reasons, this kit must be installed by an authorized Bombardier Ski-Doo snowmobile dealer. Should removal of a locking device be required when undergoing disassembly/assembly, always replace with a new one. This instruction sheet should be given to the purchaser after modification. This kit is designed for specific applicable models only. It is not recommended for snowmobiles other than those for which it was sold.

○ **NOTE :** Installation time is approximately 0.5 hour.

PARTS TO BE INSTALLED



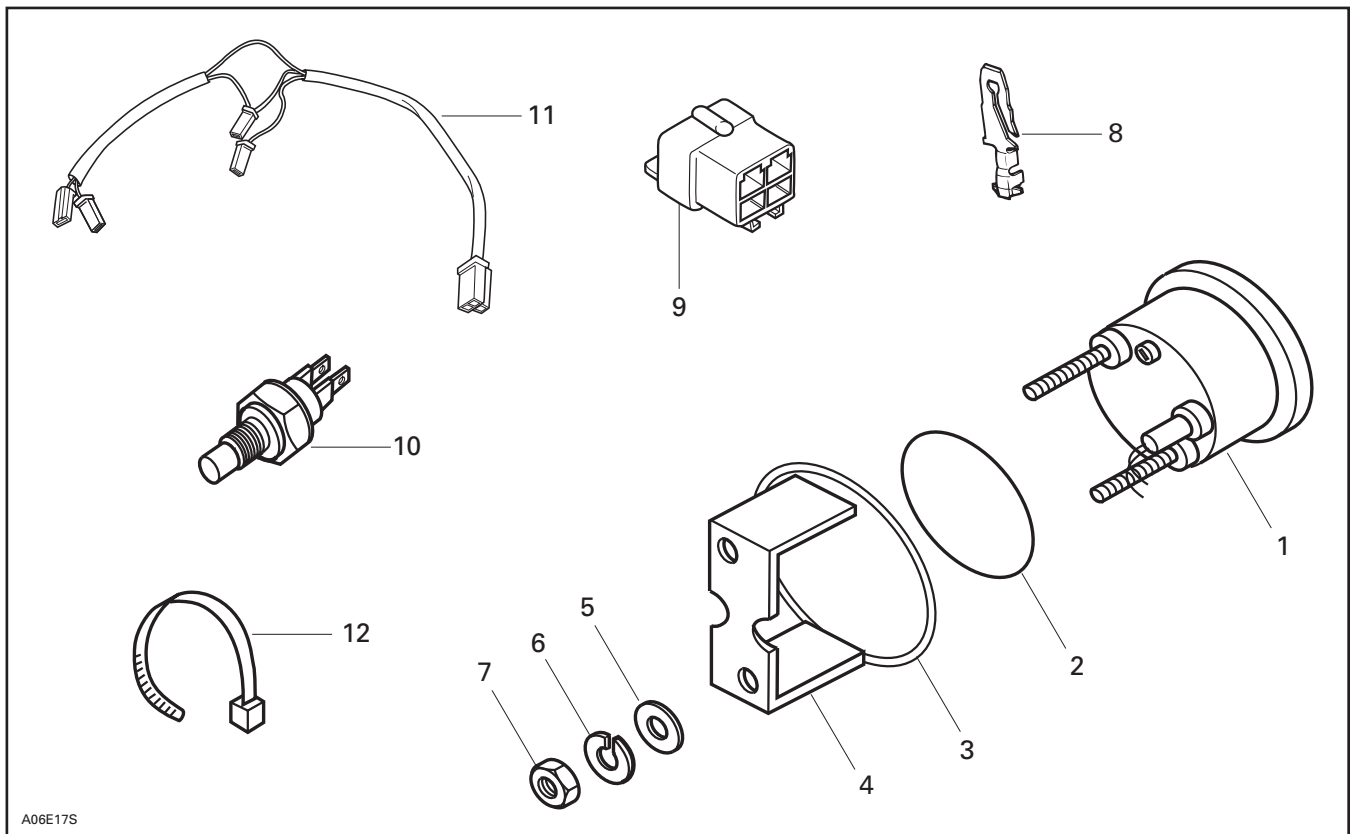
- | | |
|----------------------|--------------------|
| 1. Temperature Gauge | 7. Washer (2) |
| 2. Tab Connector (4) | 8. Nut (2) |
| 3. Tab Housing | 9. Sender Unit |
| 4. Gauge Holder | 10. Locking Tie |
| 5. Gauge Packing | 11. Formed Washer |
| 6. Lock Washer (2) | 12. Wiring Harness |



◆ **WARNING :** For safety reasons, this kit must be installed by an authorized Bombardier Ski-Doo snowmobile dealer. Should removal of a locking device be required when undergoing disassembly/assembly, always replace with a new one. This instruction sheet should be given to the purchaser after modification. This kit is designed for specific applicable models only. It is not recommended for snowmobiles other than those for which it was sold.

○ **NOTE :** Installation time is approximately 0.5 hour.

PARTS TO BE INSTALLED



- | | |
|----------------------|--------------------|
| 1. Temperature Gauge | 7. Washer (2) |
| 2. Tab Connector (4) | 8. Nut (2) |
| 3. Tab Housing | 9. Sender Unit |
| 4. Gauge Holder | 10. Locking Tie |
| 5. Gauge Packing | 11. Formed Washer |
| 6. Lock Washer (2) | 12. Wiring Harness |

INSTRUCTIONS FOR 1993 MX-Z

Temperature Sender

◆ **WARNING** : This procedure must be performed when engine is cold and turned off.

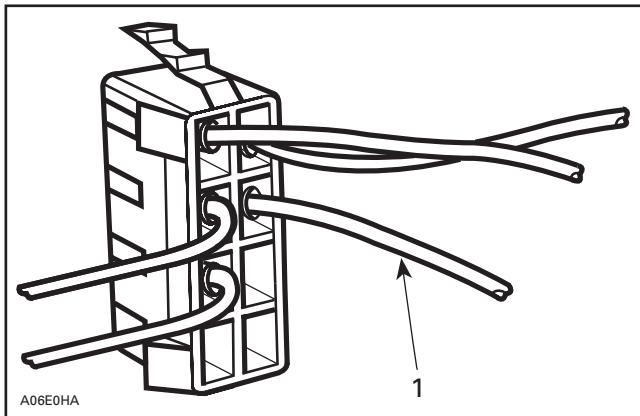
Apply pipe sealant (P/N 413 7023 00) on threads of new sender **no. 9**.

○ **NOTE** : The new sender is a variable resistor instead of a thermo-switch.

Unscrew sender from engine and quickly plug hole using your finger until ready to install the new sender. Torque sender to **6 N•m (53 lbf•in)**. Reconnect connectors (polarity is not important).

Remove oil tank support bracket and heat shield close to chaincase. Remove 8-circuit connector from its support.

Unplug PURPLE wire from 8-circuit connector and move it up one slot.



1. Move PURPLE wire to this position

Reinstall connector, heat shield and bracket.

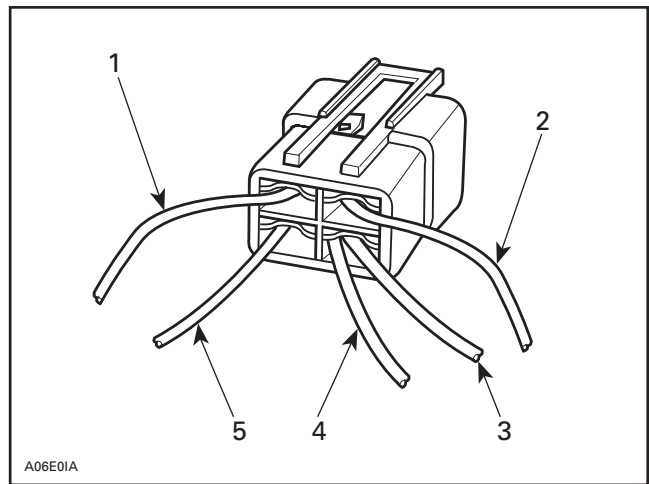
Temperature Gauge

Remove windshield.

Position template (supplied on last page of this instruction sheet) over dashboard. Using a hole saw, drill a 63.5 mm (2.5 in) hole in LH side of dashboard.

▼ **CAUTION** : Ensure there are no wires behind dashboard in order to avoid any damages.

Install tab connector **no. 2** on wires and position in tab housing **no. 3** as per the following illustration.



- 1. Brown
- 2. Red/Yellow
- 3. Green
- 4. Yellow/Black
- 5. Yellow

Ensure that the gauge wires correspond to vehicle wires as per the following table.

GAUGE HARNESS	VEHICLE HARNESS
RED/YELLOW	YELLOW
GREEN AND YELLOW/BLACK	YELLOW/BLACK
YELLOW	YELLOW
BROWN	GREEN

Install gauge packing **no. 5** on temperature gauge **no. 1** then install into dashboard. Connect housing.

Install formed washer **no. 11** then gauge holder **no. 4**.

Install washers **no. 7**, lock washers **no. 6** and tighten with nuts **no. 8**.

Secure gauge harness with locking tie **no. 10**.

Reinstall windshield.

Test gauge operation and ensure there is no fluid leak at sender.

Replenish cooling system if necessary.

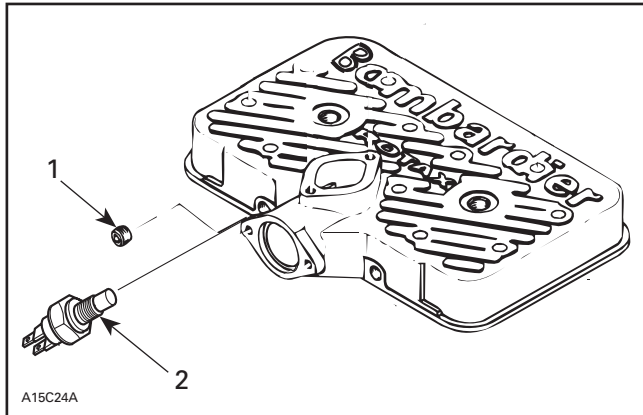
INSTRUCTIONS FOR F AND S SERIES MODELS EQUIPPED WITH 583 ENGINE

Temperature Sender

◆ **WARNING :** This procedure must be performed when engine is cold and turned off.

Apply pipe sealant (P/N 413 7023 00) on threads of new sender **no. 9**.

○ **NOTE :** The new sender is a variable resistor instead of a thermo-switch.



1. Allen machine screw
2. Sender

Unscrew Allen machine screw from left side of engine water outlet and quickly plug hold using your finger until ready to install the new sender.

Install the new sender, and torque to 6 N•m (53 lbf•in).

Disconnect and discard old sender electrical harness.

Connect new wiring harness **no. 12** to each (new and old) sender. Connect the other end to the 3-port connector.

○ **NOTE :** The new and the old circuits are the same.

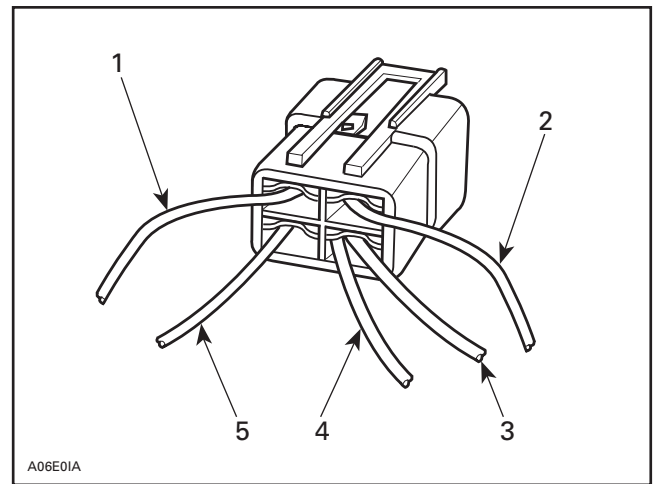
Temperature Gauge

Remove windshield if necessary.

Position template (supplied on last page of this instruction sheet) over dashboard. Using a hole saw, drill a 63.5 mm (2.5 in) hole in LH side of dashboard.

▼ **CAUTION :** Ensure there are no wires behind dashboard in order to avoid any damages.

Install tab connectors **no. 2** on wires and position in tab housing **no. 3** as per the following illustration.



1. Brown
2. Red/Yellow
3. Green
4. Yellow/Black
5. Yellow

Ensure that the gauge wires correspond to vehicle wires as per the following table.

GAUGE HARNESS	VEHICLE HARNESS
RED/YELLOW	YELLOW
GREEN AND YELLOW/BLACK	YELLOW/BLACK
YELLOW	YELLOW
BROWN	GREEN

Install gauge packing **no. 5** on temperature gauge **no. 1** then install into dashboard. Connect housing.

Install formed washer **no. 11** then gauge holder **no. 4**.

Install washers **no. 7**, lock washers **no. 6** and tighten with nuts **no. 8**.

Secure gauge harness with locking tie **no. 10**.

Reinstall windshield, if necessary.

Test gauge operation and ensure there are no fluid leaks at sender.

Replenish cooling system if necessary.

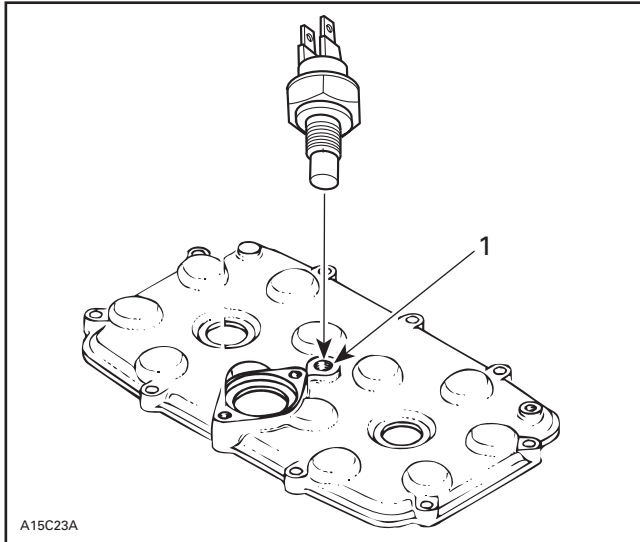
INSTRUCTIONS FOR F SERIES MODELS EQUIPPED WITH 470 ENGINE

Temperature Sender

◆ **WARNING :** This procedure must be performed when engine is cold and turned off.

Apply pipe sealant (P/N 413 7023 00) on threads of new sender **no. 9**.

○ **NOTE :** The new sender is a variable resistor instead of a thermo-switch.



1. New sender location

Unscrew Allen machine screw from top of engine water outlet and quickly plug hold using your finger until ready to install the new sender.

Install the new sender, and torque to 6 N•m (53 lbf•in).

Disconnect and discard old sender electrical harness.

Connect new wiring harness **no. 12** to each (new and old) sender. Connect the other end to the 3-port connector.

○ **NOTE :** The new and the old circuits are the same.

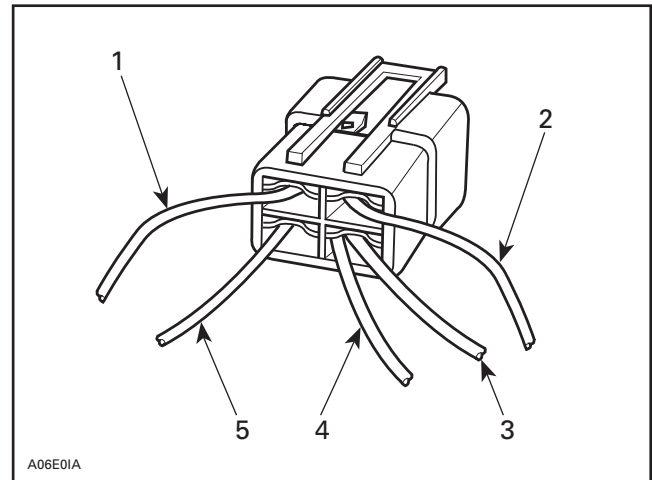
Temperature Gauge

Remove windshield, if necessary.

Position template (supplied on last page of this instruction sheet) over dashboard decal. Using a hole saw, drill a 63.5 mm (2.5 in) hole in LH side of dashboard.

▼ **CAUTION :** Ensure there are no wires behind dashboard in order to avoid any damages.

Install tab connectors **no. 2** on wires and position in tab housing **no. 3** as per the following illustration.



- 1. Brown
- 2. Red/Yellow
- 3. Green
- 4. Yellow/Black
- 5. Yellow

Ensure that the gauge wires correspond to vehicle wires as per the following table.

GAUGE HARNESS	VEHICLE HARNESS
RED / YELLOW	YELLOW
GREEN AND YELLOW / BLACK	YELLOW / BLACK
YELLOW	YELLOW
BROWN	GREEN

Install gauge packing **no. 5** on temperature gauge **no. 1** then install into dashboard. Connect housing.

Install the formed washer **no. 11** then gauge holder **no. 4**.

Install washers **no. 7**, lock washers **no. 6** and tighten with nuts **no. 8**.

Secure gauge harness with locking tie **no. 10**.

Reinstall windshield, if necessary.

Test gauge operation and ensure there are no fluid leaks at sender.

Replenish cooling system if necessary.

INSTRUCTIONS FOR F AND S SERIES MODELS EQUIPPED WITH 670 ENGINE OR 494 ENGINE

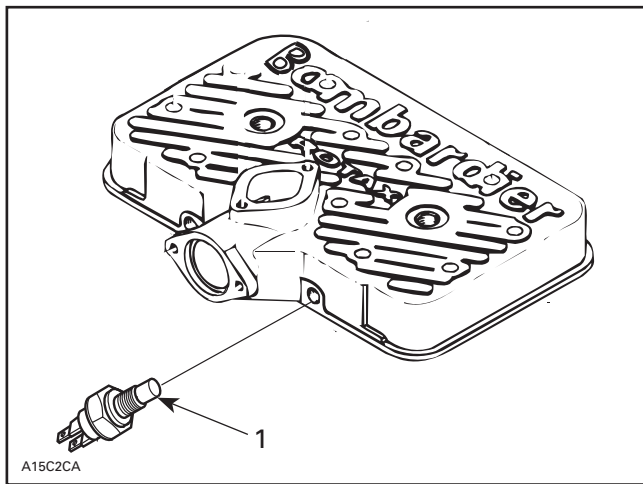
Temperature Sender

◆ **WARNING :** This procedure must be performed when engine is cold and turned off.

Disconnect connectors from temperature sender on engine.

Apply pipe sealant (P/N 413 7023 00) on threads of new sender **no. 9**.

○ **NOTE :** The new sender is a variable resistor instead of a thermo-switch.



1. Sender

Unscrew sender from engine and quickly plug hole using your finger until ready to install the new sender.

Install the new sender.

Torque sender to 6 N•m (53 lbf•in).

F Series Only

Reconnect connectors (polarity is not important).

Unplug VIOLET wire from 3-circuit connector and move it to the free slot. (Connector location is near the water expansion tank).

Reinstall connector and bracket.

Temperature Gauge

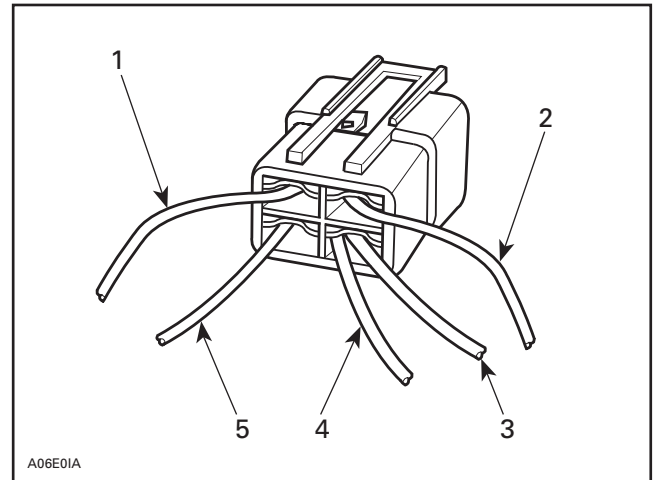
All Models

Remove windshield, if necessary.

Position template (supplied on last page of this instruction sheet) over dashboard decal. Using a hole saw, drill a 63.5 mm (2.5 in) hole in LH side of dashboard.

▼ **CAUTION :** Ensure there are no wires behind dashboard in order to avoid any damages.

Install tab connectors **no. 2** on wires and position in tab housing **no. 3** as per the following illustration.



1. Brown
2. Red/Yellow
3. Green
4. Yellow/Black
5. Yellow

Ensure that the gauge wires correspond to vehicle wires as per the following table.

GAUGE HARNESS	VEHICLE HARNESS
RED/YELLOW	YELLOW
GREEN AND YELLOW/BLACK	YELLOW/BLACK
YELLOW	YELLOW
BROWN	GREEN

Install gauge packing **no. 5** on temperature gauge **no. 1** then install into dashboard. Connect housing.

Install the formed washer **no. 11** then gauge holder **no. 4**.

Install washers **no. 7**, lock washers **no. 6** and tighten with nuts **no. 8**.

Secure gauge harness with locking tie **no. 10**.

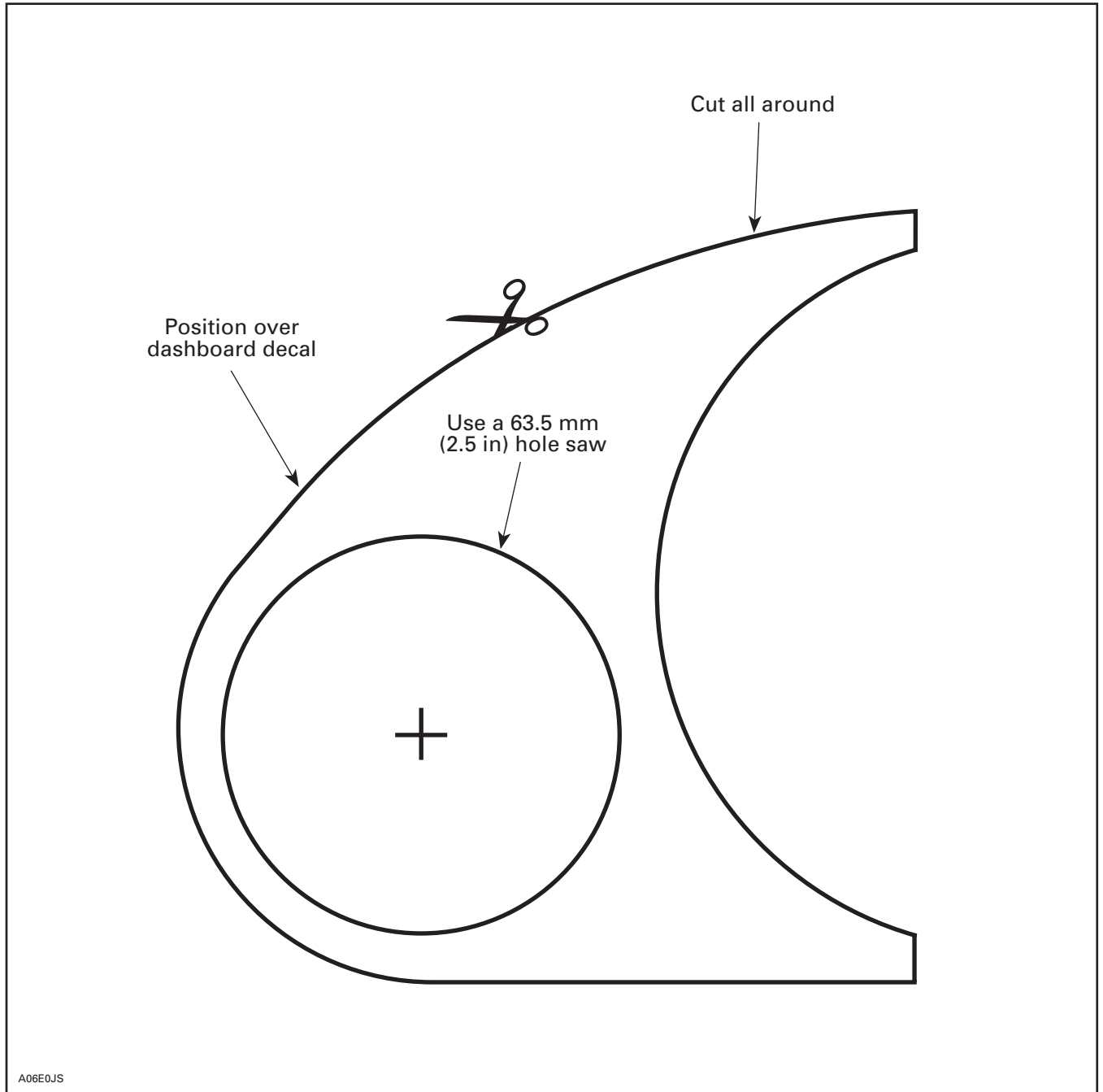
Reinstall windshield, if necessary.

Test gauge operation and ensure there are no fluid leaks at sender.

Replenish cooling system if necessary.

DRILLING TEMPLATE

Use this template to properly drill hole for gauge in dashboard.
Hole is to be drilled on left hand side.



861 7494 00

1.	415 0164 00	Temperature Gauge	Indicateur de température
2.	561 5034 00	Tab Connector (4)	Raccord mâle (4)
3.	409 2093 00	Tab Housing	Logement de raccords
4.	414 8066 00	Gauge Holder	Support d'indicateur
5.	414 8072 00	Gauge Packing	Joint torique
6.	414 8337 00	Lock Washer (2)	Rondelle-frein (2)
7.	391 3017 00	Washer (2)	Rondelle (2)
8.	414 8336 00	Nut (2)	Écrou (2)
9.	414 7287 00	Sender Unit	Sonde de température
10.	414 1152 00	Locking Tie	Attache
11.	517 2586 00	Formed Washer	Rondelle formée
12.	515 1554 00	Wiring Harness	Faisceau de fils