



TOOL BOOKLET



ski-doo®

Bombardier
P/N 414 7795 04



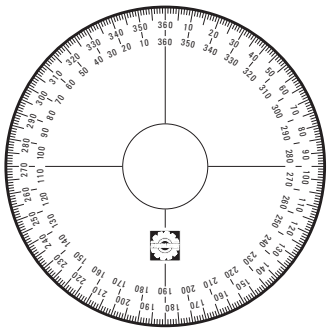
SERVICE TOOLS

This is a list of tools to properly service Ski-Doo snowmobiles. The list includes both the mandatory tools and the optional tools that are ordered separately. The list of Service Products, both mandatory and optional, are not part of any kit and must all be ordered separately. If you need to replace or add to your tool inventory these items can be ordered through the regular parts channel.

NOTE: The numbers outlined in black (example: **1**) are reference numbers to tools from other divisions (Sea-Doo Watercraft and/or Sea-Doo Jet Boats). Matching reference numbers indicate the same tool is being used even if the part numbers are different.

ENGINE — MANDATORY SERVICE TOOLS

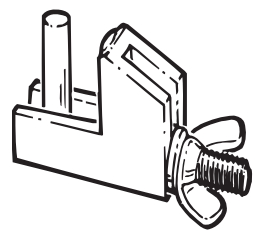
Degree wheel
(P/N 414 3529 00) **1**



A00B334

APPLICATION
All rotary valve engines.

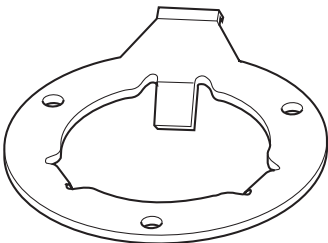
Hose pincher (2)
(P/N 529 0099 00) **2**



A01B2I4

APPLICATION
All vehicles.

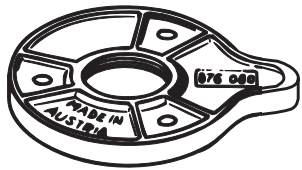
Fan holder
P/N 420 8763 57) **3**



A00C0Q4

APPLICATION
377, 443 and 503 engines.

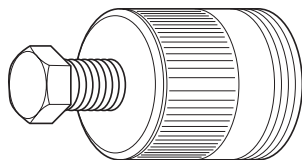
Magneto puller ring
(P/N 420 8760 80) **4**



A00C1R4

APPLICATION
All engines except 247.

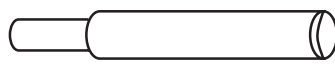
Magneto puller
(P/N 529 0225 00) **5**



A00C1A4

APPLICATION
All engines except 247.

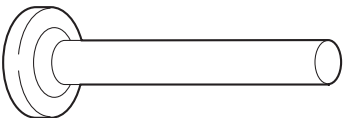
Aligning pin (4)
(P/N 529 0189 00) **6**



A00A1D4

APPLICATION
467 and 582 engines.

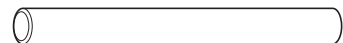
Pusher
(washer behind the impeller)
(P/N 529 0207 00) **7**



A00C3H4

APPLICATION
Rotary valve engines.

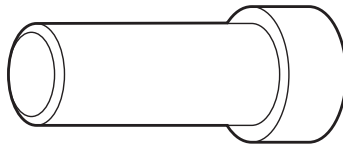
Rotary valve shaft pusher
(P/N 420 8766 12) **8**



A00C0F4

APPLICATION
Rotary valve engines with a 10 mm impeller shaft.


Rotary valve seal pusher
(valve side)
(P/N 420 8766 07) **9**



A00C0Y4

APPLICATION
Rotary valve engines.

Rotary valve shaft seal pusher
(inner, water pump side)
(P/N 420 8765 12) **10**



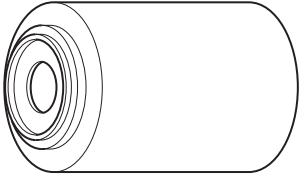
A00C374

APPLICATION
Rotary valve engines, 1991 and newer with a 10 mm impeller shaft.

ENGINE (continued) — MANDATORY SERVICE TOOLS

11

Rotary valve shaft seal pusher
(outer, water pump side)
(P/N 420 8770 50)



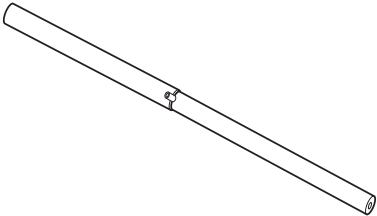
A00C0X4

APPLICATION
Rotary valve engines.

19

Choke plunger tool
(P/N 529 0321 00)

NEW



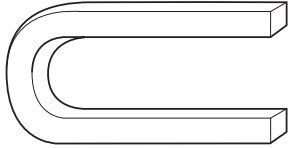
A01C5D4

APPLICATION
All models equipped with chokes.

Rotary valve circlip tool

A) (P/N 529 0291 00) **18**

B) (P/N 529 0208 00) **15**

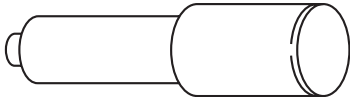


A00C314

APPLICATION
A) 454 and 670 engines.
B) All rotary valve engines except the 454 and 670.

12

Bearing pusher
(rotary valve)
(P/N 420 8765 00)

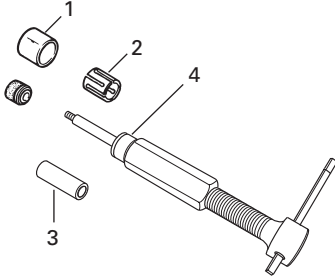


A00B2J4

APPLICATION
Rotary valve engines.

16

Piston pin puller
(P/N 529 0290 00)



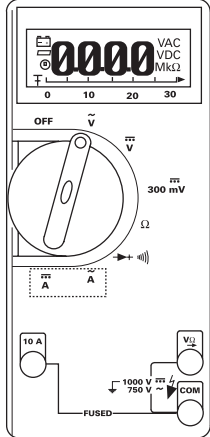
A01B4H4

APPLICATION
All engines.

242

Fluke multimeter
(P/N 529 0220 00)

NEW

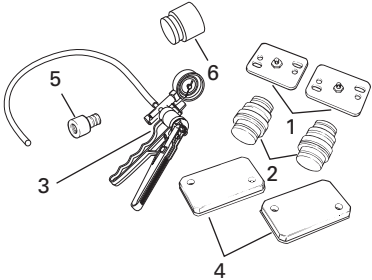


F01B104

APPLICATION
All models.

14

Engine leak tester kit
(P/N 861 7491 00)

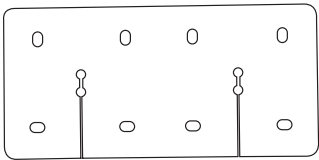


A01B2D4

APPLICATION
All engines.

17

Rubber pad
(P/N 529 0234 00)



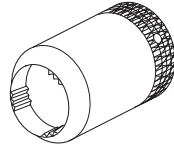
A01B4C4

APPLICATION
All cageless bearing engines (277 and 503).

782

Choke nut tool
(P/N 529 0322 00)

NEW



A01B554

APPLICATION
All vehicles equipped with a choke.

ENGINE (continued) — RECOMMENDED SERVICE TOOLS

The following tools are highly recommended to optimize your basic tool kit and reduce repair time.

1-2) Crankshaft bearing puller with screw (P/N 420 8762 98) **200**

A

5,6,7 —

3 —

4 —

8 —

9 —

10,11 —

A00C3L4

APPLICATION
247, 277, 377, 443, 503, 582 and 583 engines.

1-2) Crankshaft bearing puller with screw (P/N 420 8776 35) **250**

B

6 —

5,7 —

9,12 —

10,11,13 —

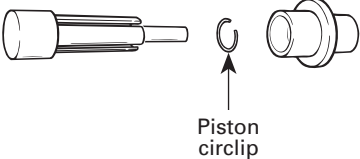
A01B544

APPLICATION
247, 277, 377, 443, 454, 494, 503, 582, 583, 599, 670, 699, 779 and 809 engines.

Use with crankshaft bearing pullers A (P/N 420 8762 98) or B (P/N 420 8776 35).	
1) Bolt (M16 x 1.5 x 150) For either A or B pullers.	(P/N 420 9407 55) 258
2) Screw M8 x 40 (4) A puller MAG side, B puller MAG and PTO side.	(P/N 420 8406 81) 559
3) Screw M8 x 70 (4) A puller only, PTO side.	(P/N 420 8412 01) 560
4) Crankshaft protector 247 engine.	(P/N 420 9768 90) 260
5) Crankshaft protector PTO A or B puller; all engines except 247.	(P/N 420 8765 52) 259
6) Crankshaft protector MAG A or B puller; all engines except 247.	(P/N 420 8765 57) 554
7) Distance ring PTO A puller; 377, 443, 503, 582 and 583 engines.	(P/N 420 8765 69) 557
8) Puller ring Use with half rings (P/N 420 9774 75 or 420 2760 25).	(P/N 420 9774 90) 555
9) Half ring (2) A or B puller; for 72 mm O.D. bearings.	(P/N 420 9774 75) 556
10) Half ring A or B puller; for 62 mm O.D. bearings.	(P/N 420 2760 25) 558
11) Puller ring For half rings (P/N 420 9774 79).	(P/N 420 9774 94) 251
12) Half ring B puller only; 80 mm O.D. bearings.	(P/N 420 9774 79) 252

ENGINE (continued) — RECOMMENDED SERVICE TOOLS

Piston circlip installer
 A) (P/N 529 0169 00) **202**
 B) (P/N 290 8770 16) **548**

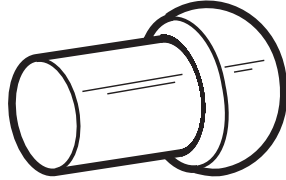


A01B1P4

APPLICATION
 A) All engines except 670.
 B) 670 engines.

Piston pin/connecting rod bearing centering tool
 (P/N 529 0091 00) **203**

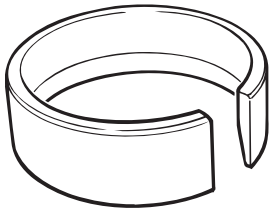
NOTE: New diameter is 9.65 mm (0.380’’).



A01B1R4

APPLICATION
 All engines.

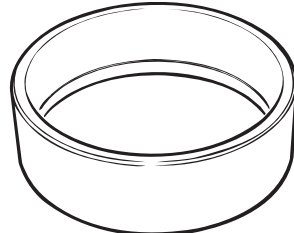
Ring compressor
 A) (P/N 420 8760 90) **204** (62 mm)
 B) (P/N 420 8769 74) **205** (69.5 mm)
 C) (P/N 420 8769 70) **206** (72 mm)
 D) (P/N 420 8769 72) **207** (76 mm)
 E) (P/N 420 8769 75) **208** (67.5 mm)
 F) (P/N 529 0308 00) **262** (78 mm)



A01B1T4

APPLICATION
 A) 377 engines.
 B) 467 engines.
 C) 503, 253 and 536 engines.
 D) 582, 583 and 643 engines.
 E) 447 engines.
 F) 670 engines.

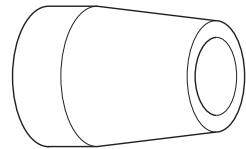
Magneto coil centering ring
 (P/N 420 8769 22) **209**



A01B1V4

APPLICATION
 All engines with Nippondenso CDI (160 W).

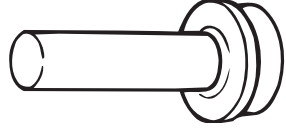
Seal protector sleeve
 (P/N 420 2769 00) **211**
 (MAG)



A00C0D4

APPLICATION
 247 engine.

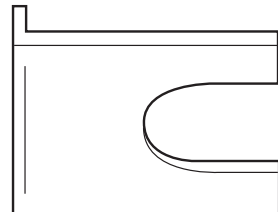
Polyamid ring pusher
 (P/N 420 2769 30) **213**



A00C0Z4

APPLICATION
 247 engine.

Crankshaft feeler gauge
 (P/N 420 8766 20) **216**



A00C114

APPLICATION
 377, 443, 447 and 503 engines.

ENGINE (continued) — RECOMMENDED SERVICE TOOLS

Crankshaft distance gauge (5.7 mm)
(P/N 420 8768 22) **217**

A00C294

APPLICATION
377, 443 and 447 engines.

Crankshaft distance gauge (12.7 mm)
(P/N 420 8768 24) **218**

A00C3A4

APPLICATION
503 engine.

Cylinder aligning tool

A) (P/N 420 8769 02) **220**
(on exhaust side)

B) (P/N 420 8761 71) **221**
(on intake side)

A00B084

APPLICATION
A) 467, 536, 537, 582, 583, 643 and 670 engines.
B) 377, 443, 447 and 503 engines.

Mikuni carburetor tool kit
(P/N 404 1120 00) **222**

A00B2F4

APPLICATION
All models.

Circuit tester (continuity light)
(P/N 414 0122 00) **223**

A00C214

APPLICATION
All vehicles.

Stroboscopic timing light
(P/N 529 0319 00) **225**

NEW

A00B4F4

APPLICATION
All engines.

RAVE movement indicator
(P/N 861 7258 00) **226**

A18B014

APPLICATION
All RAVE equipped engines.

Air pressure gauge, 0-200 inch of water
(P/N 529 0104 00) **227**

A18B034

APPLICATION
For pressure testing gauge.

Dial indicator (TDC gauge)
(P/N 414 1047 00) **230**

A00B4E4

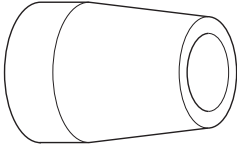
APPLICATION
All engines.

ENGINE (continued) — RECOMMENDED SERVICE TOOLS

Seal protector sleeve

A) (P/N 420 8769 80) **231**

B) (P/N 420 8764 90) **232**

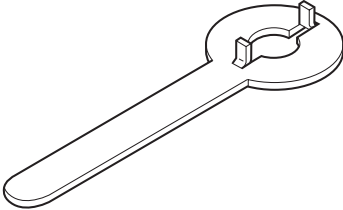


A00C0D4

APPLICATION
467, 582, 583 and 670 engines.

Injection pump gear holder **235**

(P/N 420 2779 05)

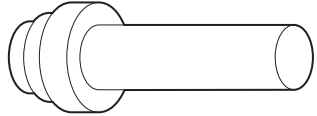


A00C164

APPLICATION
467, 494, 536, 537, 582, 583, 643, 670 and 779 engines.

MAG seal pusher **243**

(P/N 420 2778 75)

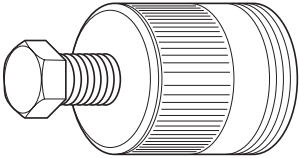


A00C0V4

APPLICATION
277 engine.

Magneto puller **233**

(P/N 420 9762 35)

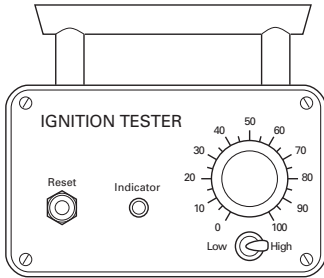


A00C1A4

APPLICATION
247 engine.

Bombardier magneto tester **236**

(P/N 419 0033 00)

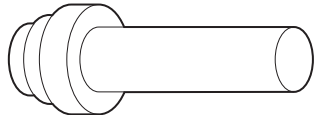


A00C1K4

APPLICATION
All engines.

PTO seal pusher **244**

(P/N 420 8766 60)

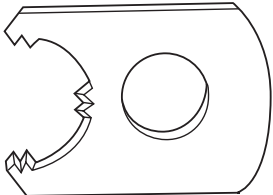


A00C0V4

APPLICATION
277 engine.

Injection pump gear holder **234**

(P/N 420 8766 95)

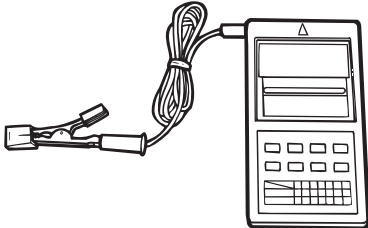


A00B314

APPLICATION
253, 377, 447 and 503 engines.

Digital/induction type tachometer **237**

(P/N 529 0145 00)

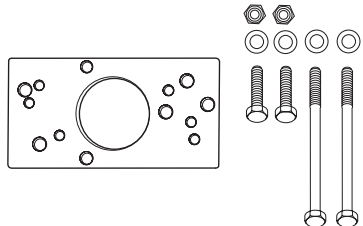


F01B1G4

APPLICATION
All engines.

Base puller plate kit **245**

(P/N 529 0249 00)



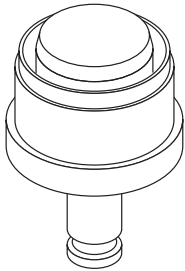
A05C0M4

APPLICATION
277 engine.

ENGINE (continued) — RECOMMENDED SERVICE TOOLS

Insertion jig
(magneto side seal)
(P/N 420 8765 16)

247

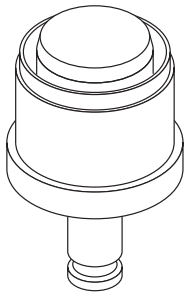


A00C3T4

APPLICATION
779 engine.

Insertion jig
(magneto seal)
(P/N 420 8765 14)

248

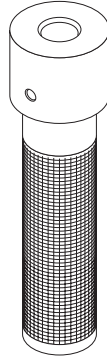


A00C3U4

APPLICATION
454 and 670 engines.

Handle for insertion jig
(P/N 420 8776 50)

249

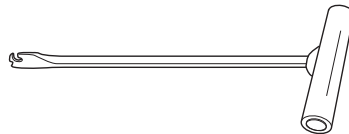


A00C3V4

APPLICATION
454, 670 and 779 engines.

Exhaust spring installer/
remover
(P/N 529 0281 00)

253

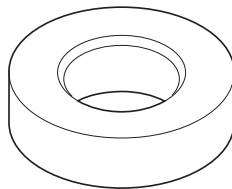


A00C3S4

APPLICATION
All models.

Bearing simulator
(P/N 420 8761 55)

219

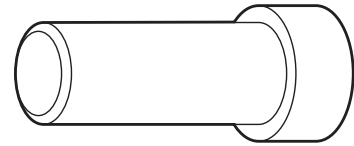


A00C1H4

APPLICATION
253, 305, 343, 402 and 440
engines.

Rotary valve seal and
shaft pusher
(P/N 420 8766 05)

229



A00C0Y4

APPLICATION

Rotary valve engines 1990 models
and older.

Seal pusher (rotary valve)
(P/N 420 8765 10)

240



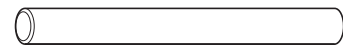
A00C374

APPLICATION

All rotary valve shaft seals with a
12 mm I.D.

Rotary valve shaft pusher
(P/N 420 8766 10)

239



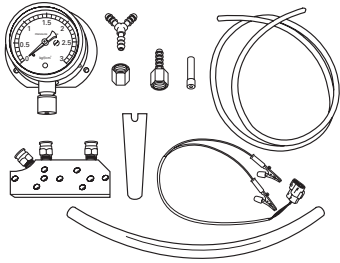
A00C0F4

APPLICATION

All rotary valve engines with 12
mm shaft.

ENGINE (continued) — RECOMMENDED SERVICE TOOLS

Self fuel control injection
(S.F.C.I.) system test kit **241**
(P/N 861 7391 00)

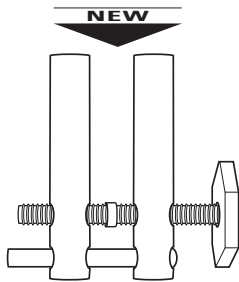


A28E034

APPLICATION

1993 Formula Plus EFI.

Large hose pincher **773**
(P/N 529 0325 00
(TYPICAL)




F01B234

APPLICATION

All vehicles.

TRANSMISSION — MANDATORY SERVICE TOOLS

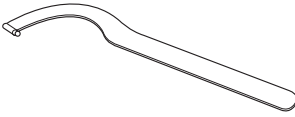
Clutch holder
(P/N 529 0064 00) **51**



A01B154

APPLICATION
All TRA drive pulleys.

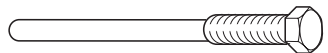
Clutch holder
(P/N 529 0276 00) **79**



A02B034

APPLICATION
Bombardier Lite drive pulley.

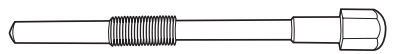
Drive pulley puller
(P/N 529 0314 00) **53**



A18B044

APPLICATION
Bombardier Lite drive pulley, except Élan.

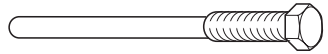
TRA drive pulley puller
(P/N 529 0224 00) **75**



A06B014

APPLICATION
TRA drive pulley for the 454, 494, 599, 670, 699, 779 and 809 engines.

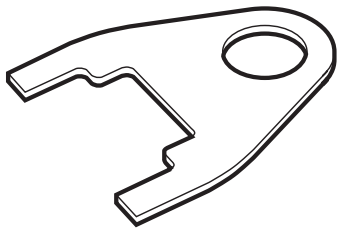
TRA drive pulley puller
(P/N 529 0079 00) (25 mm) **55**



A18B044

APPLICATION
TRA drive pulley (except 599, 670, 699, 779 and 809 engines).

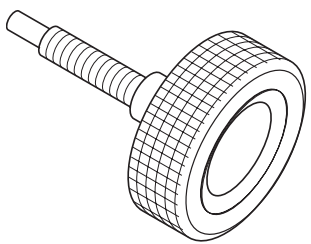
Forks (3)
(P/N 529 0055 00) **57**



A16B014

APPLICATION
All vehicles equipped with a TRA drive pulley.


Drive belt installer
(P/N 529 0172 00) **58**



A00A1A4

APPLICATION
All vehicles except Élan and Tundra II.

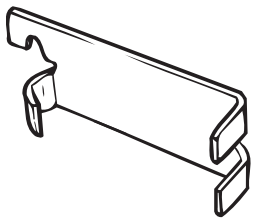
Transmission alignment bar
A) (P/N 529 0267 00) **78**
B) (P/N 529 0269 00) **60**
C) (P/N 529 0300 00) **80**
D) (P/N 529 0268 00) **73**



A01B4D4

APPLICATION
A) F-Series and S-Series.
B) Tundra II.
C) S-Series with Bombardier Lite.
D) Safari L.

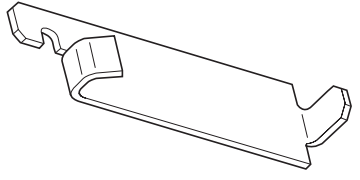
Spring scale hook (long)
(P/N 529 0152 00) **62**



A01B514

APPLICATION
1994 models and older except Alpine II.

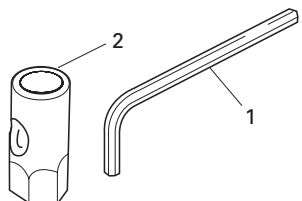
Spring scale hook (long)
(P/N 529 0309 00) **84**



A00B4A4

APPLICATION
F-Series and S-Series (1995 and newer).

Drive belt tension adjuster tool
(P/N 529 0087 00) **63**



A15B044

APPLICATION
All vehicles except Élan, Tundra II and Skandic WT.

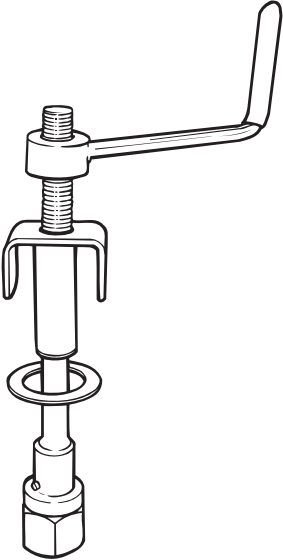
Parts included:
1) Hex wrench
(P/N 420 8767 30)
2) Socket wrench
(P/N 529 0150 00)

TRANSMISSION (continued) — MANDATORY SERVICE TOOLS

Spring compressor/
TRA clutch flare tool
(P/N 529 0186 00)

Parts included in the kit:

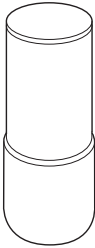
**1) Spring compressor
(P/N 529 0151 00)**



A01B334

APPLICATION (1)
S and F-Series and Alpine II driven pulley type.
All TRA pulley.


Burnishing bar
(P/N 529 0264 02)



A00B464

APPLICATION
Safari L and Skandic.


Tension tester
(P/N 414 3482 00)



A00C074

APPLICATION
All models.

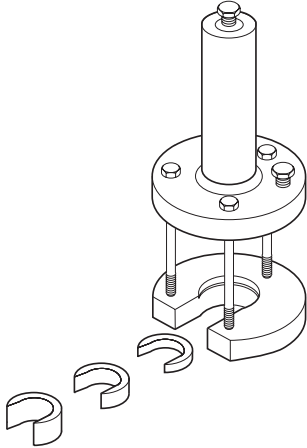
Countershaft bearing installer
(P/N 529 0302 00)



A00A194

APPLICATION
S-Series and F-Series.

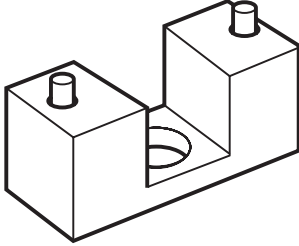
Countershaft bearing remover
(P/N 529 0301 00)



A00A274

APPLICATION
S-Series and F-Series.

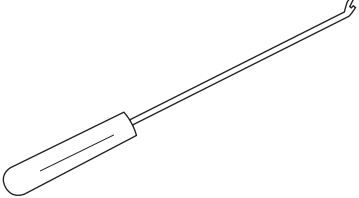
Spring cover tool
(P/N 529 0273 00)



A01B4M4

APPLICATION
Bombardier Lite drive pulley.

Transmission adjuster
(P/N 529 0285 00)



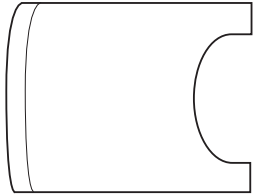
A00D0X4

APPLICATION
F-Series equipped with "twist shifter" reverse transmission.

TRANSMISSION (continued) — RECOMMENDED SERVICE TOOLS

The following tools are highly recommended to optimize your basic tool kit and reduce repair time.

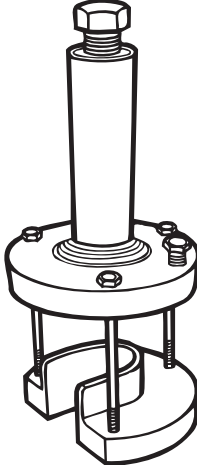
Alignment tool
(P/N 420 4760 10) **306**



A00C1D4

APPLICATION
Skandic WT and Alpine II gearbox.

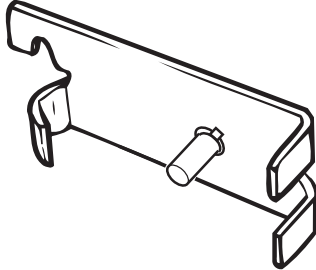
Countershaft bearing remover
(P/N 529 0187 00) **502**



A00A164

APPLICATION
PRS chassis.

Spring scale hook (short)
(P/N 529 0065 00) **323**



A01B174

APPLICATION
Alpine II 1994 and older.

Countershaft bearing installer
(P/N 529 0188 00) **501**



A00A194

APPLICATION
PRS chassis.


Alignment bar

A) (P/N 529 0256 00) **324**

B) (P/N 529 0282 00) **320**


C) (P/N 529 0283 00) **321**

D) (P/N 529 0310 00)



A01B4D4

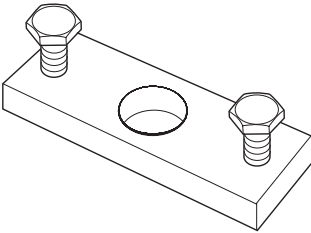
E) (P/N 529 0083 00) **300**



A03B034

APPLICATION
A) PRS chassis.
B) Alpine II.
C) Élan.
D) Skandic WT 1996.
E) Scout.

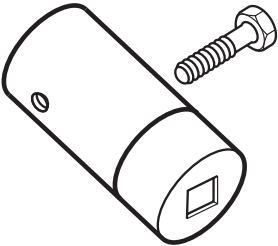
Cam pusher
(P/N 529 0129 00) **309**



A18B064

APPLICATION
Tundra II LT.

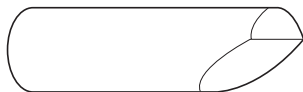
Drive pulley puller
(P/N 529 0231 00) **318**



A00C3J4

APPLICATION
Élan.

Transmission ball mounting pin
(P/N 420 4760 20) **305**



A00C1C4

APPLICATION
Alpine II 3-speed gearbox.

TRANSMISSION (continued) — RECOMMENDED SERVICE TOOLS

3-speed transmission bearing extractor

- 1) Screw M8 x 25 (2) (P/N 222 0825 65) **301**
- 2) Plate **304**
- 3) Half ring (2) (P/N 420 8763 30) **304**
- 4) Ring (P/N 420 9774 80) **303**

A00C1B4

APPLICATION
Alpine II 3-speed transmission.

Driven pulley support extractor (P/N 529 0135 00) **310**

A25B0F4

APPLICATION
Safari (except Cheyenne), Stratos/E, Citation E/LS/LSE, Escapade, Skandic 503, SS-25 and Formula SP/SS (no vehicles equipped with reverse).

TRA clutch spring cover remover cap (P/N 529 0103 00) **312**

A16B054

Spacer (P/N 529 0054 00) **311**

A16B044

APPLICATION
For use with drive pulley puller (P/N 529 0079 00) to remove spring cover. Refer to *1991 Shop manual*.

Drive pulley retainer (P/N 529 0017 00) **313**

A00C224

APPLICATION
Round shaft drive pulley.

Transmission shifter template (P/N 529 0198 00) **314**

A15H3J4

APPLICATION
1991 to 1994 PRS chassis.

Drive pulley puller (P/N 529 0021 00) (standard threads) **319**

A00C084

APPLICATION
Square shaft, standard (SAE) threads.

TRA drive pulley puller (27 mm) (P/N 529 0101 00) **322**

A18B044

APPLICATION
TRA drive pulley (27 mm) shaft except 454, 670 and 779 engines.

Drive pulley puller (P/N 860 4142 00) (square shaft metric) **400**

Consist of:

529 0030 00 529 0028 00

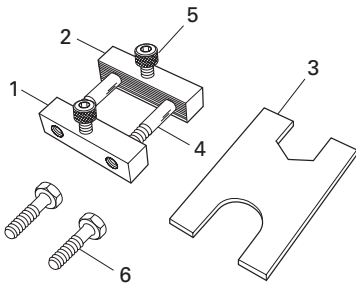
A00C095

APPLICATION
Square shaft, metric threads drive pulley.

TRANSMISSION (continued) — RECOMMENDED SERVICE TOOLS

Drive axle sprocket
adjuster
(P/N 861 7257 00)

340



A01B204

APPLICATION

All vehicles except Élan.

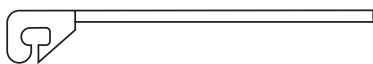
Parts included in the kit:

- 1) Block with threads
(P/N 529 0107 00)
- 2) Block without threads
(P/N 529 0108 00)
- 3) Plate
(P/N 529 0106 00)
- 4) Bolt M10 (2)
(P/N 222 0075 65)
- 5) Allen screw M8 (2)
(P/N 222 9830 65)
- 6) Screw M8 (2)
(P/N 222 0825 65)

NOTE: When the tool is to be use between tunnel and sprocket use screw M8.

Transmission adjuster
(P/N 529 0303 00)

504



A03D1T4

APPLICATION

Vehicles equipped with "push-pull shifter" reverse transmission.

SUSPENSION — MANDATORY SERVICE TOOLS

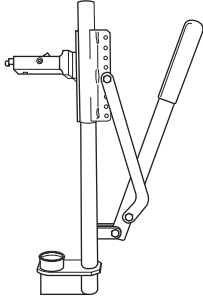
Shock spring removal kit

65

(P/N 529 0271 00)

Replacement clevis pin:

(P/N 414 5284 00)



A01B404

APPLICATION

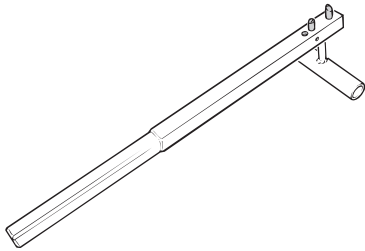
All suspensions with coil spring.

SUSPENSION (continued) — RECOMMENDED SERVICE TOOLS

A) Track cleat remover
(P/N 529 0082 00) **345**

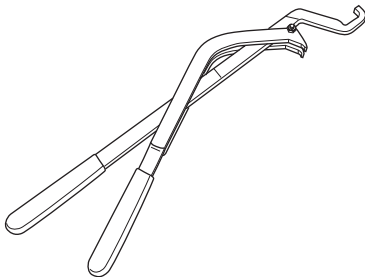
Pins
(P/N 529 0082 04) **346**

NOTE: Pins can be rotated 180° depending on whether the tool is used by a left-hander or right-hander.



A01B1J4

B) TRA track cleat remover
(P/N 529 0287 00) **254**



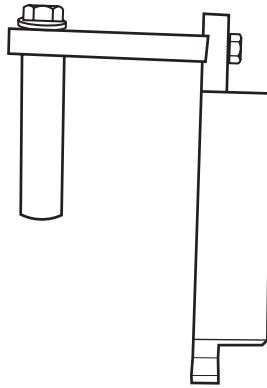
A01F224

APPLICATION

- A) 1993 and older.
- B) 1994 and newer except Élan and Tundra II.

Camber angle tool
(P/N 529 0216 00) **343**

NOTE: Angle finder with a magnetic base must be used.
Suggestion: K-D tool no. 2968

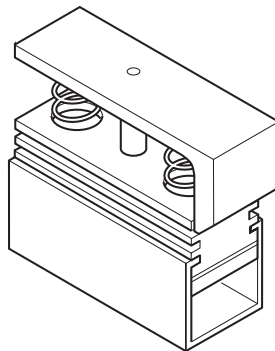


A06B024

APPLICATION

All DSA front suspensions.

Track tension gauge
(P/N 529 0215 00) **342**



A00B3X4

APPLICATION

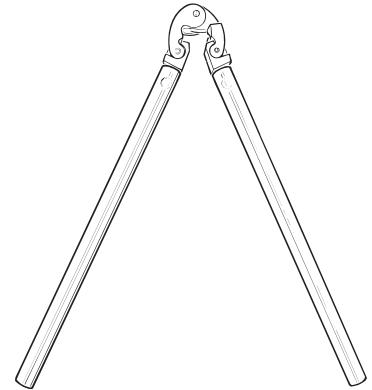
All models except Élan.

Track cleat installer

A) (P/N 529 0085 00) **347**
Narrow

B) (P/N 529 0288 00) **255**
Narrow

C) (P/N 529 0077 00) **344**
Wide



A01B1M4

APPLICATION

- A) 1993 and older.
- B) 1994 and newer.
- C) 1992 and older with wide cleat opening.

Dome guide
(P/N 529 0265 00) **349**



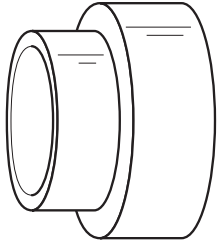
A06F1B4

APPLICATION

MX Z T/A shocks.

SUSPENSION (continued) — RECOMMENDED SERVICE TOOLS

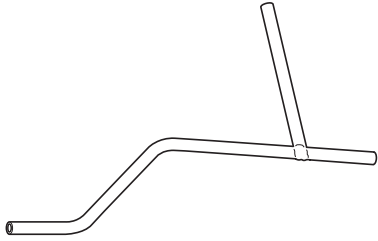
Piston guide
(P/N 529 0266 00) **500**



A06F1C4

APPLICATION
MX Z T/A shocks.

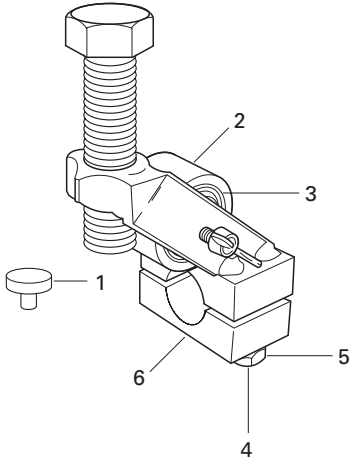
Spring installer (bar)
(P/N 529 0050 00) **326**



A00C114

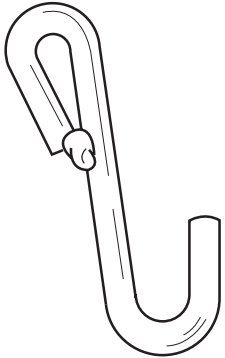
APPLICATION
Tundra II LT, Scout and all SC-10 suspensions.

Bushing installer/
remover
(P/N 529 0119 00) **331**



A25B054

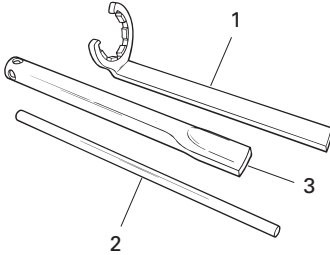
Suspension spring
installer (hook)
(P/N 529 0066 00) **325**



A19B034

APPLICATION
Cheyenne.

Spring cam adjuster key
(P/N 861 7317 00) **330**



A25B0D4

APPLICATION
Safari A-arm suspension spring.

Replacement parts:

- 1) Adjustment key
(P/N 529 0138 00)
- 2) Handle
(P/N 529 0140 00)
- 3) Key extension
(P/N 529 0139 00)

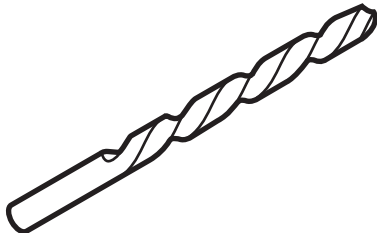
APPLICATION
A-arm suspension.

Parts included in the kit:

- 1) Buffer
(P/N 529 0118 00)
- 2) Outer sleeve
(P/N 529 0125 00)
- 3) Inner sleeve
(P/N 529 0126 00)
- 4) Hexagonal screw (2)
(P/N 222 0830 65)
- 5) Flat washer (2)
(P/N 224 0812 01)
- 6) Lower retainer
(P/N 529 0121 00)

Drill bit
(P/N 529 0318 00) **508**

NEW

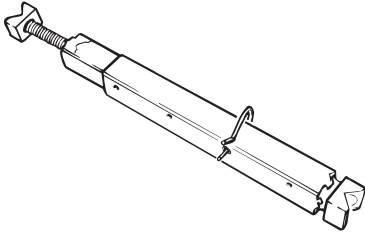


A01B564

APPLICATION
All 3/16 inch rivets.

SUSPENSION (continued) — RECOMMENDED SERVICE TOOLS

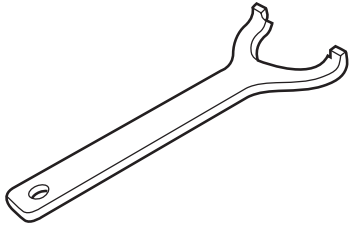
Drive axle holder
(P/N 529 0072 00) **333**



A01B1E4

APPLICATION
All models.

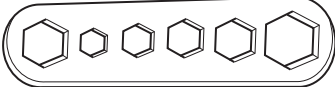
Kayaba shock adjustment tool
(P/N 529 0190 00) **334**



A00A1K4

APPLICATION
C-7 suspension.

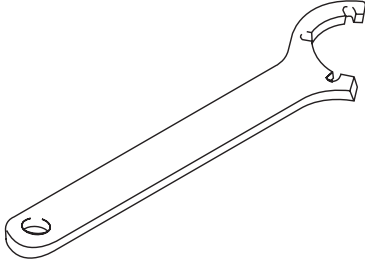
Hexagonal wrench
(P/N 529 0147 00) **335**



A19B024

APPLICATION
Safari and Skandic prior to 1995.


Suspension adjustment wrench
(P/N 529 0122 00) **336**



A25A014

APPLICATION
Rear suspension.

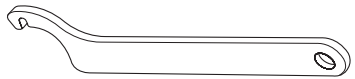
Suspension adjustment wrench
(P/N 529 0098 00) **337**



A24A014

APPLICATION
Models equipped with a mono-shock suspension.

Suspension adjustment wrench
(P/N 529 0171 00) **338**

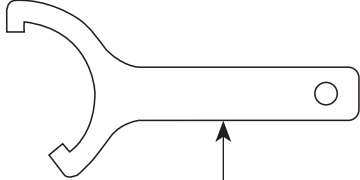


A15B094

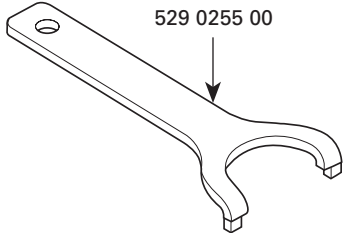
APPLICATION
1992 and old Formula C-7.

Adjustment wrench
(P/N 861 7439 00) **506**

Consists of:



529 0240 00



529 0255 00

A00B4B4

APPLICATION
T/A shock.

VEHICLES — RECOMMENDED SERVICE TOOLS

Protective mat
(P/N 529 0306 00)

503



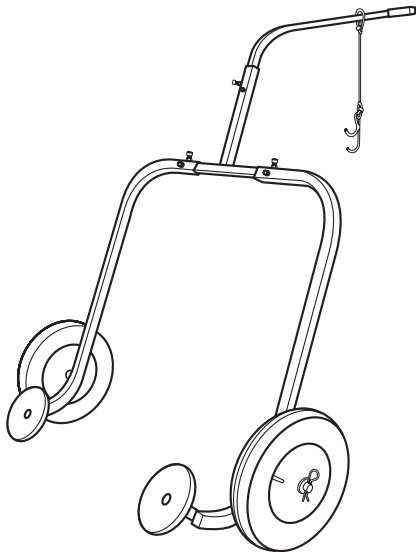
A01B45W

APPLICATION

All vehicles.

Dolly
(P/N 529 0299 00)

348



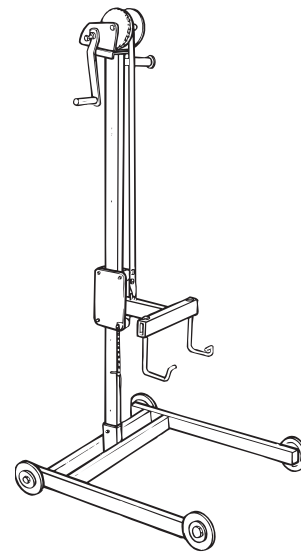
A00B4CJ

APPLICATION

All models.

Snowmobile jack
(P/N 529 0200 00)

341



A01A1JJ

APPLICATION

All models.

SERVICE PRODUCTS


NOTE: The numbers outlined in black (example: **1**) are reference to tool numbers from other divisions (Sea-Doo Watercraft and/or Sea-Doo Jet Boats). Matching reference numbers indicate the same tool is being used, even if the part numbers are different.

MANDATORY SERVICE PRODUCTS

Loctite® is a trademarks of Loctite Corporation.

Dow Corning® is a trademarks of Dow Corning Corporation.


Retaining compound (P/N 413 7031 00) **151**
 Loctite® RC/609:
 Retaining compound (10 mL) (green)



A00B2S4

APPLICATION
 Used for retaining bushings, bearings in slightly worn housing or on shaft.

Medium-strength threadlocker (P/N 413 7030 00) **154**
 Loctite® 242:
 Threadlocker (10 mL) (blue, medium strength)



A00B324

APPLICATION
 Flywheel nut, crankcase studs, etc.


Gasket/paint remover (P/N 413 7085 00) **156**
 Loctite® 79040 Chisel
 510 g (18 oz)



A00B3L4

APPLICATION
 Clean mating surfaces of cylinders and crankcase. Remove carbon in combustion chambers.


Paste gasket (P/N 413 7027 00) **152**
 Loctite® 515:
 Gasket eliminator (50 mL)



A00B2T4

APPLICATION
 Crankcase halves, transmission and gearbox mating surfaces.

High strength threadlocker (P/N 413 7074 00) **155**
 Loctite® 271:
 Threadlocker (10 mL) (red, high strength)



A00B2U4

APPLICATION
 Fasteners and studs up to 1" diameter.

Cleaning solvent (P/N 413 7082 00) **157**
 Loctite® 755-59
 340 g (12 oz)



A00B3M4

APPLICATION
 Clean carburetor parts and degrease all oily surfaces.

MANDATORY SERVICE PRODUCTS (continued)

Loctite® primer **158**
(P/N 413 7081 00)
Loctite® 764-56
Primer N
170 g (6 oz)



A00B3N4

APPLICATION

To prepare mating surfaces before applying paste gasket, retaining compound or threadlockers.

Silicone compound **159**
(P/N 420 8970 61)
Dow Corning® MS4



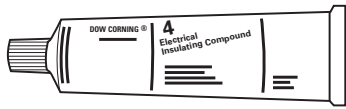
A00B3R4

APPLICATION

Lubricate pawl and pawl lock of rewind starter.

RECOMMENDED SERVICE PRODUCTS

Silicone dielectric grease (3 oz)
(P/N 413 7017 00) **350**



A00B1X4

APPLICATION

On all electric connections. High tension coil and spark plug connections. Connector housings, etc.

Grease LMZ no. 1 (400 g)
(P/N 413 7075 00) **351**



A00B1Y4

APPLICATION

Mainly used between regulators or rectifiers and upper column to transfer the heat build-up and to assure a good ground.

Clutch lube 60 mL (4 oz)
(P/N 413 8007 00) **352**



A00B1Z4

APPLICATION

Roller round shaft drive pulleys.

Chaincase oil (16 x 250 mL)
(P/N 413 8019 00) **353**



A00B2R4

APPLICATION

Chaincase lubricant on Élan and Tundra II.

Synthetic chaincase oil (12 x 355 mL)
(P/N 413 8033 00) **354**



A01B4Q4

APPLICATION

Chaincase lubricant on all models except Élan and Tundra II.

Blizzard oil (12 x 500 mL)
(P/N 413 8031 00) **355**



A00B2Q4

APPLICATION

All models.

Injection oil (P/N 413 8029 00) **356**
(12 x 1 liter)
(P/N 413 8030 00) **357**
(3 x 4 liter)




F01B2H4

APPLICATION

All engines.

RECOMMENDED SERVICE PRODUCTS (continued)


Bombardier-Rotax Formula XP-S synthetic injection oil
(P/N 413 7110 00) **969**
(3 x 4 liter)
(P/N 413 7107 00) **970**
(205 liters)



F01B354

APPLICATION
All engines.


Bombardier-Rotax Formula XP-S synthetic injection oil
(P/N 413 7105 00)
(12 x 1 liter)



F01B2G4

APPLICATION
All models.

Pipe sealant **358**
(P/N 413 7023 00)
Loctite 592 (50 mL)



A00B2W4

APPLICATION
Engine plugs and senders.


High temperature threadlocker **359**
(P/N 420 8997 88)
Loctite 648 (green)
(5 g)



A00B3D4

APPLICATION
For RAVE valve rod distance nut on 583, 670, 779 and 809 engines.

Anti-seize lubricant **362**
(P/N 413 7010 00)
Loctite anti-seize lubricant 454 g (16 oz)



F01B174

APPLICATION
Unpainted surfaces of drive pulley countershaft.

Bearing grease **363**
(400 g)
(P/N 413 7061 00)



A00B2L4

APPLICATION
For idler bearings, ski legs, leaf spring cushion pads, seal interior lips, rear hub bearings, bogie wheels, countershaft bearings, etc.

Storage oil **364**
(350 g spray can)
(12 x 350 g)
(P/N 496 0141 00)




A00B384

APPLICATION
All models.

RECOMMENDED SERVICE PRODUCTS (continued)

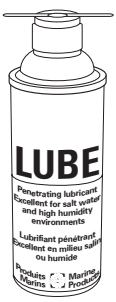
Fuel stabilizer
(12 x 8 oz)
(P/N 413 4086 00)



A00B3V4

APPLICATION
All models.

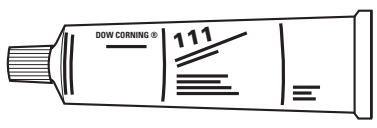
Bombardier Lube
(12 x 14 oz)
(P/N 293 6000 16)



A01B4P4

APPLICATION
Steering ball joints on all models.


Molykote 111
(P/N 413 7070 00)



A00B3W4

APPLICATION
Rotary valve shaft seals.


Super Lube (grease)
(P/N 293 5500 14)



A00B474

APPLICATION
Tie rod bushings.

Shock oil
(32 oz)
(P/N 413 7094 00)



A06F0P4

APPLICATION
MX Z T/A shocks.