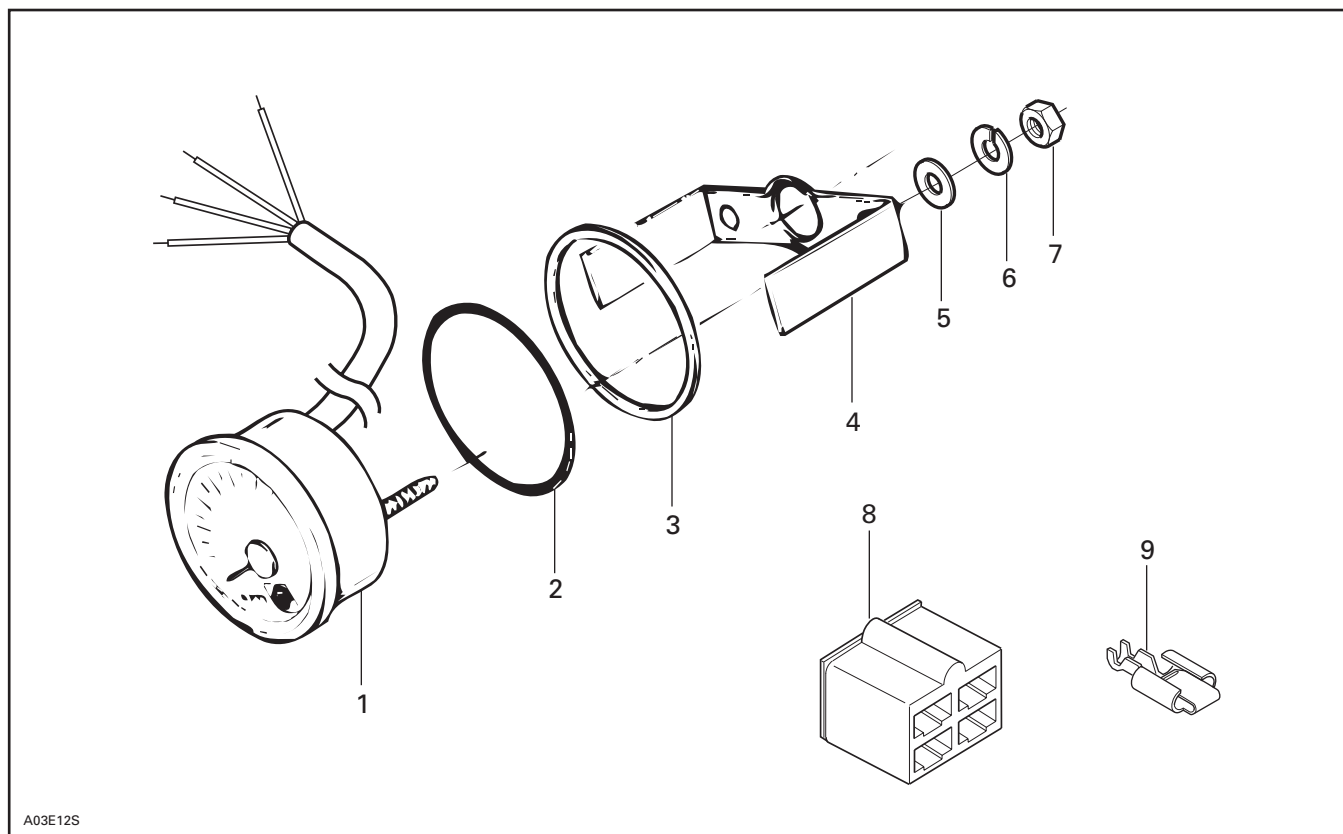




◆ **WARNING :** For safety reasons, this kit must be installed by an authorized Bombardier snowmobile dealer. Should removal of a locking device be required when undergoing disassembly / assembly, always replace with a new one. This instruction sheet should be given to the purchaser. This kit is designed for specific applicable models only. It is not recommended for vehicles other than those for which it was sold.

○ **NOTE :** Installation time is approximately 0.4 hour.

PARTS TO BE INSTALLED



A03E12S

1. Tachometer
2. Gauge Packing
3. Ring
4. Housing Support
5. Washer (2)

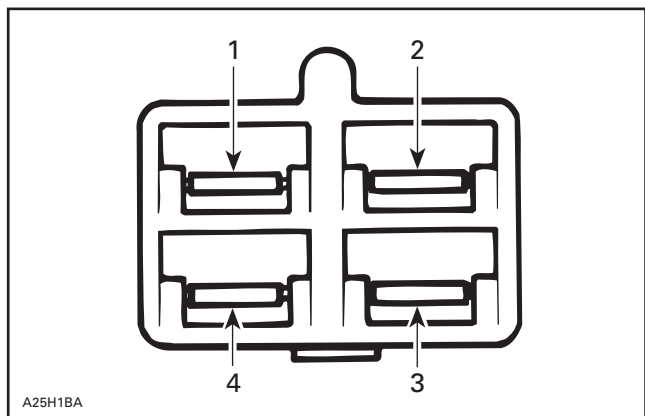
6. Lock Washer (2)
7. Nut (2)
8. 4-Connector Housing
9. Connector Female (4)

INSTRUCTION

▼ **CAUTION** : Always disconnect battery cables exactly in the specified order, if equipped. Disconnect **BLACK** negative ground cable first, then **RED** positive cable.

Crimp the connectors **no. 9** on the gauge wires.

Insert the connectors in the 4 way housing **no. 8** as illustrated.



1. *YELLOW* wire
2. *YELLOW / BLACK* wire
3. *RED / YELLOW* wire
4. *GREEN* wire

Using the last page template drill a 110 mm (4-3/8 in) hole in the instrument panel.

Install gauge packing **no. 2** around the gauge **no. 1** then insert it in its hole.

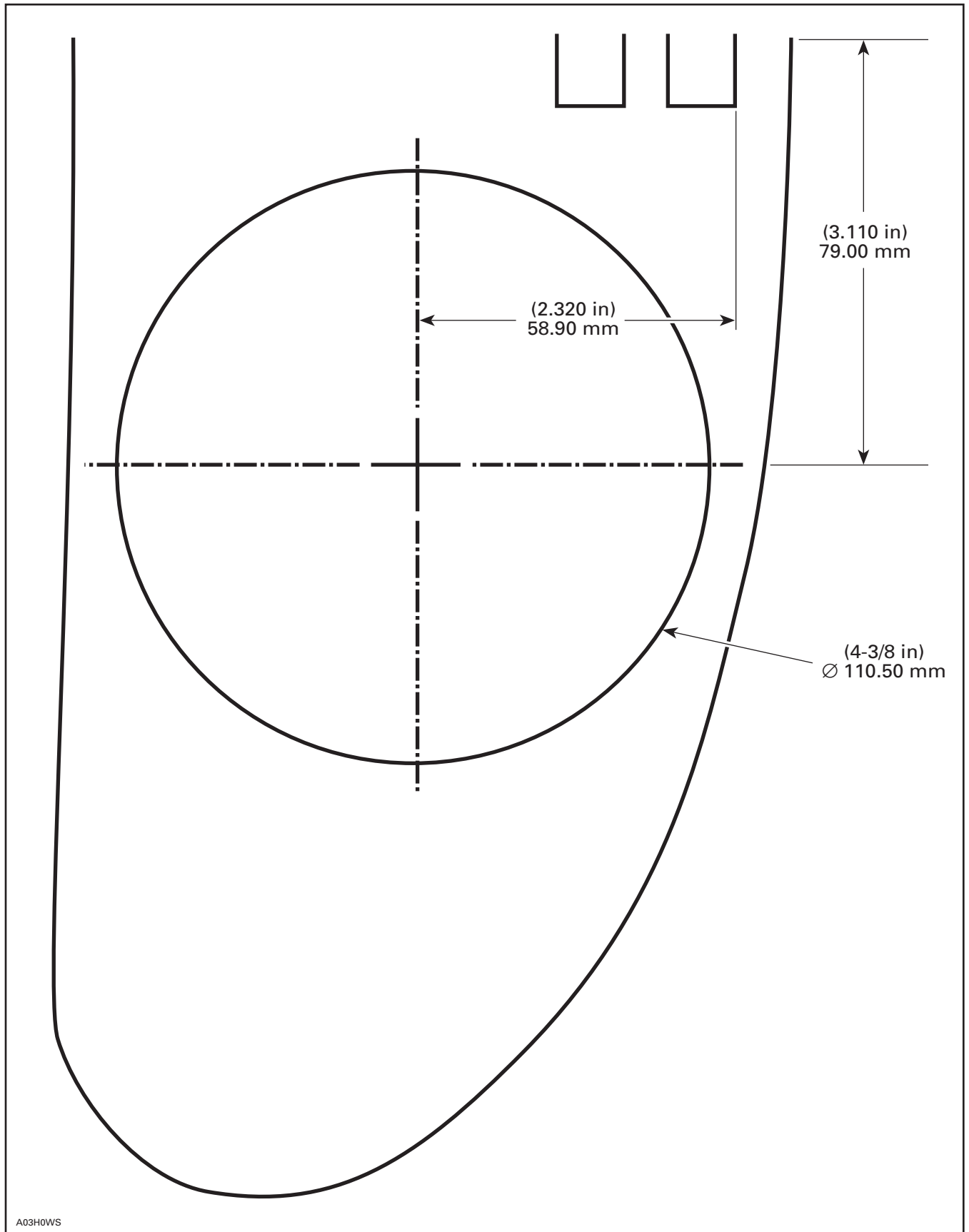
Secure with the ring **no. 3**, the housing support **no. 4**, the washers **no. 5**, lock washers **no. 6** and the nuts **no. 7**. Tighten firmly.

Plug the gauge housing to the free one near the gauge location.

▼ **CAUTION** : Reconnect the battery if equipped as per *Shop Manual* procedure, **RED** positive cable first, then **BLACK** negative ground cable **LAST**.

DRILLING TEMPLATE

Use this template to properly drill the hole in the dashboard.



861 7463 00

1.	414 8074 00	Tachometer	Tachymètre
2.	414 8071 00	Gauge Packing	Joint torique
3.	517 2585 00	Ring	Anneau
4.	414 8065 00	Housing Support	Support d'indicateur
5.	414 8068 00	Washer (2)	Rondelle (2)
6.	414 8067 00	Lock Washer (2)	Rondelle-frein (2)
7.	414 8069 00	Nut (2)	Écrou (2)
8.	409 2049 00	4-Connector Housing	Logement à 4 raccords
9.	561 5032 00	Connector Female (4)	Raccord femelle (4)