

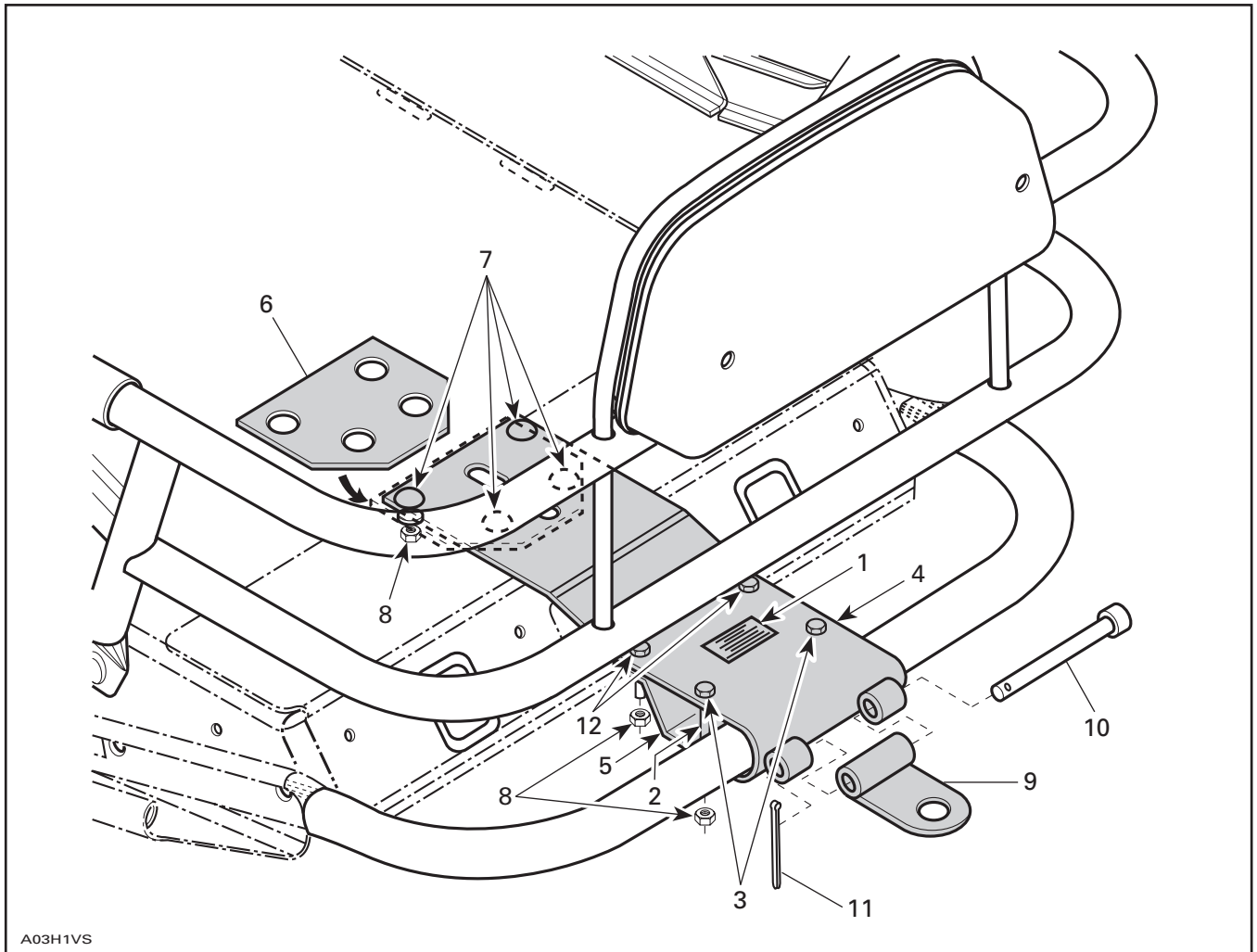


◆ **WARNING**

For safety reasons, this kit must be installed by an authorized Bombardier snowmobile dealer. Should removal of a locking device be required when undergoing disassembly/assembly, always replace with a new one. This instruction sheet should be given to the purchaser. This kit is designed for specific applicable models only. It is not recommended for vehicles other than those for which it was sold.

NOTE: Installation time is approximately 0.5 hour.

PARTS TO BE INSTALLED



A03H1VS

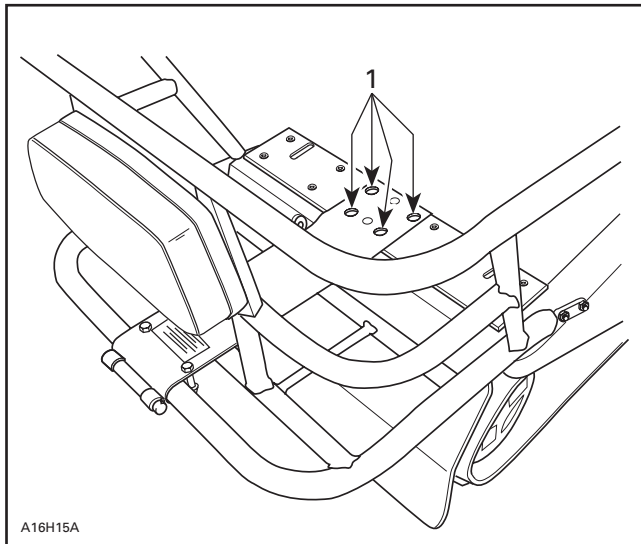
- 1. Label
- 2. Spacer (2)
- 3. Bolt M6 x 50 (2)
- 4. Support
- 5. Reinforcement
- 6. Inner Plate

- 7. Carriage Bolt M6 x 20 (4)
- 8. Stop Nut M6 (8)
- 9. Hitch Plate
- 10. Clevis Pin
- 11. Cotter Pin
- 12. Bolt M6 x 20 (2)

INSTRUCTIONS

Remove seat.

Using the 4 pre-drilled holes in the support **no. 4** as guide, drill through the tunnel using a 6.5 mm (1/4 in) drill bit. See illustration.



1. Pre-drilled holes

Install inner plate **no. 6**, support **no. 4** and secure with carriage bolts **no. 7** and stop nuts **no. 8**.

Install reinforcement **no. 5**, spacers **no. 2**, and secure with bolts **no. 3**, bolts **no. 12** and stop nuts **no. 8**.

Install hitch plate **no. 9**, clevis pin **no. 10**, and secure with cotter pin **no. 11**.

NOTE: Make sure hitch plate swings freely on hitch bracket.

Affix warning label to hitch.

NOTE: A hook-type hitch kit (P/N 861 7225 00) is available for converting the present kit.

861 7593 00

1.	414 1329 00	Label	Étiquette
2.	517 1917 00	Spacer (2)	Entretoise (2)
3.	222 0650 65	Bolt M6 x 50 (2)	Boulon M6 x 50 (2)
4.	517 2755 00	Support	Support
5.	517 2235 00	Reinforcement	Renfort
6.	517 2561 00	Inner Plate	Plaque intérieure
7.	222 2620 65	Carriage Bolt M6 x 20 (4)	Vis de carrosserie M6 x 20 (4)
8.	228 7610 45	Stop Nut M6 (8)	Écrou d'arrêt M6 (8)
9.	517 0087 00	Hitch Plate	Plaque d'attelage
10.	505 0017 00	Clevis Pin	Axe de chape
11.	371 8002 00	Cotter Pin	Goupille fendue
12.	222 0620 65	Bolt M6 x 20 (2)	Boulon M6 x 20 (2)