

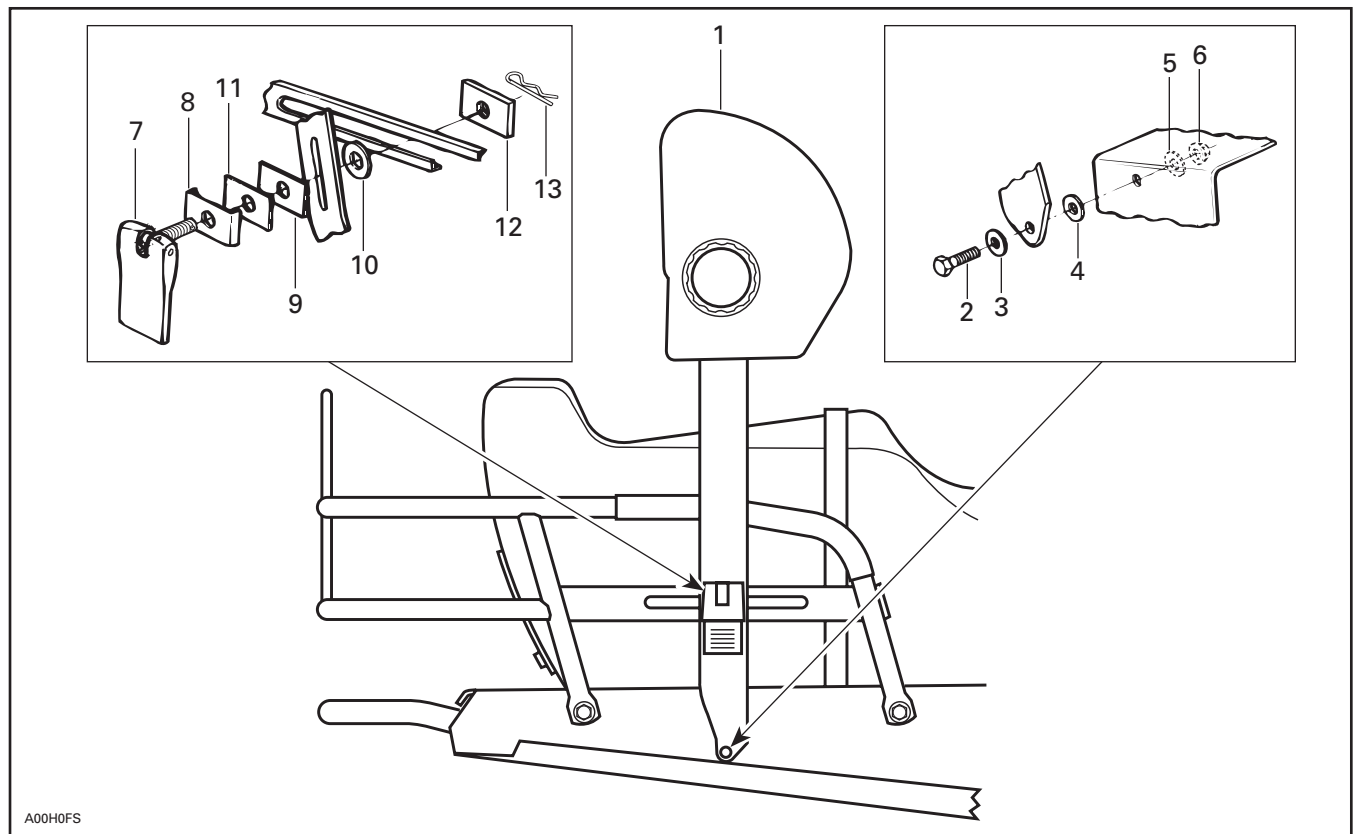


◆ WARNING

For safety reasons, this kit must be installed by an authorized Bombardier snowmobile dealer. Should removal of a locking device be required when undergoing disassembly/assembly, always replace with a new one. This instruction sheet should be given to the purchaser. This kit is designed for specific applicable models only. It is not recommended for vehicles other than those for which it was sold.

○ NOTE: Installation time is approximately 0.5 hour. Prior to install an adjustable backrest kit (G.T.) the vehicle must be equipped with a luggage rack kit (P/N 861 7582 00).

PARTS TO BE INSTALLED

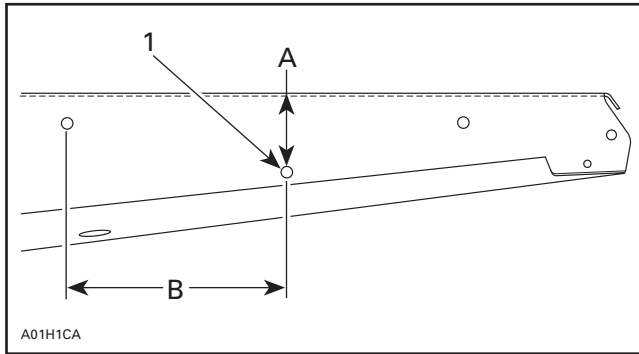


A00H0FS

- | | |
|----------------------|---------------------------|
| 1. Backrest Ass'y | 8. Guide (2) |
| 2. Screw M8 x 25 (2) | 9. Spacer (2) |
| 3. Washer M8 (2) | 10. Flanged Washer M8 (2) |
| 4. Washer M8 (2) | 11. Rubber Shim (2) |
| 5. Washer M8 (2) | 12. Threaded Plate (2) |
| 6. Nut M8 (2) | 13. Hair Pin (2) |
| 7. Lever Ass'y (2) | |

INSTRUCTIONS

Drill a 8.5 mm (21/64 in) hole on the tunnel wall as illustrated.



1. Drill 8.5 mm (21/64)
- A. 70 mm (2 3/4 in)
- B. 155 mm (6 13/64 in)

For 1995 STX LT and Grand Touring models drill the rivet in that location.

Procedure to Remove a Self Piercing Rivet

Mark the center of the rivet to be removed with a center punch.

Drill the rivet out with a cobalt drill bit 8.5 mm (21/64 in).

Straighten up the hole region with an hammer and a steel block.

Enlarge the hole with the same drill bit.

Torque the backrest nuts to the tunnel to 10 N•m (85 lbf•in).

Install the fasteners as illustrated in front page.

861 7554 00

1.	415 0445 04	Backrest Ass'y	Dossier (complet)
2.	732 6011 75	Screw M8 x 25 (2)	Vis M8 x 25 (2)
3.	732 9000 30	Washer M8 (2)	Rondelle M8 (2)
4.	414 8196 00	Washer M8 (2)	Rondelle M8 (2)
5.	224 0802 51	Washer M8 (2)	Rondelle M8 (2)
6.	228 5810 45	Nut M8 (2)	Écrou M8 (2)
7.	580 6110 00	Lever Ass'y (2)	Levier (complet) (2)
8.	517 2573 00	Guide (2)	Guide (2)
9.	517 2513 00	Spacer (2)	Entretoise (2)
10.	414 8195 00	Flanged Washer M8 (2)	Rondelle à épaulement M8 (2)
11.	570 0274 00	Rubber Shim (2)	Cale de caoutchouc (2)
12.	517 2500 00	Threaded Plate (2)	Plaque filetée (2)
13.	414 1083 00	Hair Pin (2)	Goupille de sûreté (2)