



BOMBARDIER

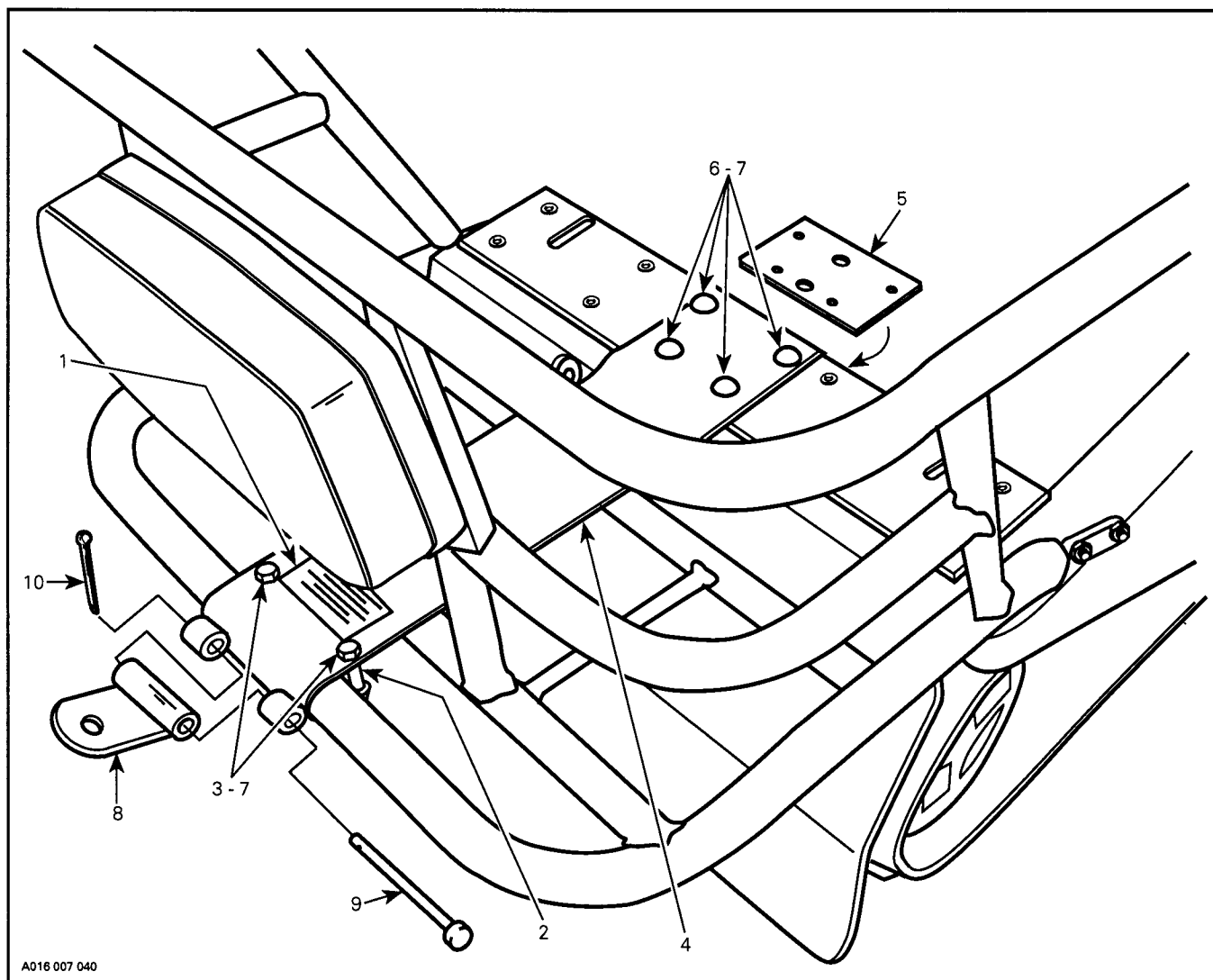
snowmobiles

HITCH KIT
(P / N 861 7461 00)

◆ **WARNING :** For safety reasons, this kit must be installed by an authorized Bombardier snowmobile dealer. Should removal of a locking device be required when undergoing disassembly / assembly, always replace with a new one. This instruction sheet should be given to the purchaser. This kit is designed for specific applicable models only. It is not recommended for vehicles other than those for which it was sold.

○ **NOTE :** The installation time is approximately 0.50 hour.

PARTS TO BE INSTALLED



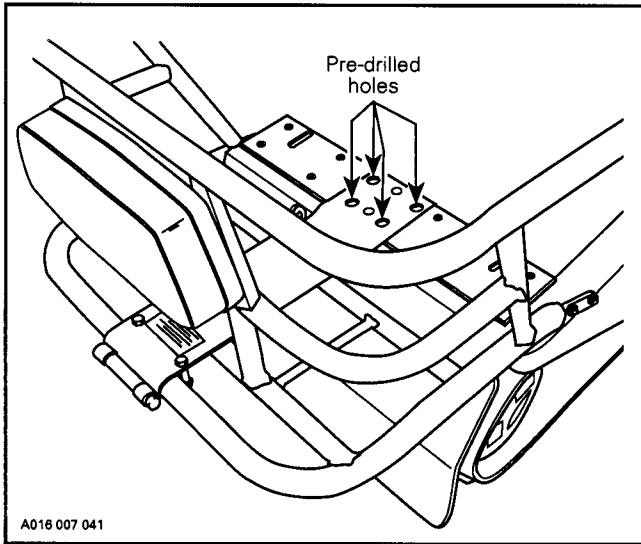
A016 007 040

- | | |
|----------------------|------------------------------|
| 1. Label | 6. Carriage Bolt M6 x 20 (4) |
| 2. Spacer (2) | 7. Nut M6 (8) |
| 3. Screw M6 x 50 (2) | 8. Hitch Plate |
| 4. Support | 9. Clevis Pin |
| 5. Inner Plate | 10. Cotter Pin |

INSTRUCTIONS

Remove seat.

Using the 4 pre-drilled holes in the end cap as guide, drill through the tunnel using a 6.5 mm (1/4 in) drill bit. See illustration.



Install inner plate and support.

Install spacers, bolts and nuts.

○ **NOTE** : Make sure hitch plate swings freely on hitch bracket.

Affix warning label to hitch.

○ **NOTE** : A hook-type hitch kit (P / N 861 7225 00) is available for converting the present kit.

861 7461 00

1	414 1329 00	Label	Étiquette
2	517 1917 00	Spacer (2)	Entretoise (2)
3	222 0650 65	Screw M6 x 50 (2)	Vis M6 x 45 (2)
4	517 2755 00	Support	Support
5	517 2561 00	Inner Plate	Plaque intérieure
6	222 2620 65	Carriage M6 x 20 (4)	Vis à carrosserie M6 x 20 (4)
7	228 7610 45	Stop Nut M6 (8)	Écrou d'arrêt M6 (8)
8	517 0087 00	Hitch Plate	Plaque d'attelage
9	505 0017 00	Clevis Pin	Axe de chape
10	371 8002 00	Cotter Pin	Goupille fendue