



# *ski-doo*<sup>®</sup> Snowmobiles

**MANDATORY TOOL KIT**  
**(P / N 861 7437 00)**

---

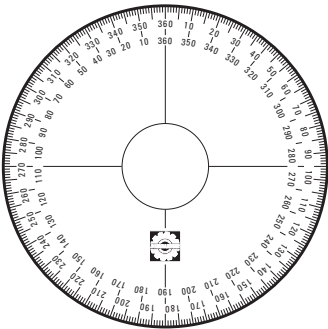
On the following pages is a list of the tools included in this kit. The list includes the part numbers, descriptions, illustrations and applications.

# SERVICE TOOLS

## ENGINE

**NOTE :** The numbers outlined in black (example : **1** ) are reference numbers to tools from other divisions (Sea-Doo and / or Sea-Doo Jet Boats). Matching numbers are the same tool even if the part numbers are different.

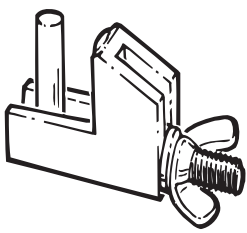
Degree wheel  
(P / N 414 3529 00) **1**



A00B334

**APPLICATION**  
All rotary valve engines.

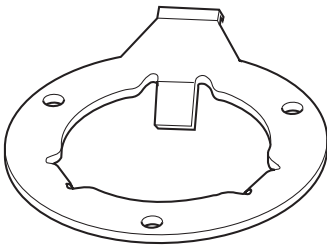
Hose pincher (2)  
(P / N 529 0099 00) **2**



A01B214

**APPLICATION**  
All vehicles.

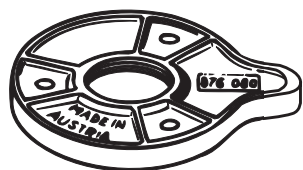
Fan holder  
(P / N 420 8763 57) **3**



A00C0Q4

**APPLICATION**  
377, 443 and 503 engines.

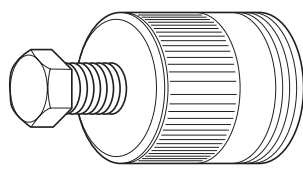
Magneto puller ring  
(P / N 420 8760 80) **4**



A00C1R4

**APPLICATION**  
All engines except 247.

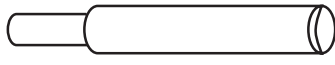
Magneto puller  
(P / N 529 0225 00) **5**



A00C1A4

**APPLICATION**  
All engines except 247.

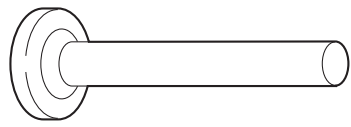
Aligning pin (4)  
(P / N 529 0189 00) **6**



A00A1D4

**APPLICATION**  
467 and 582 engines.

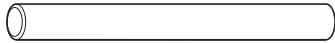
Pusher  
(washer behind the impeller)  
(P / N 529 0207 00) **7**



A00C3H4

**APPLICATION**  
Rotary valve engines.

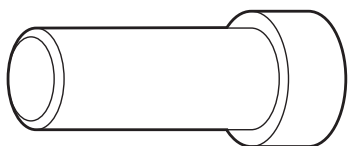
Rotary valve shaft pusher  
(P / N 420 8766 12) **8**



A00C0F4

**APPLICATION**  
Rotary valve engines.

Rotary valve seal pusher  
(P / N 420 8766 07) **9**



A00C0Y4

**APPLICATION**

Rotary valve engines.

Seal pusher (water pump) **10**  
(P / N 420 8765 12)

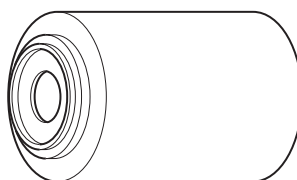


A00C374

**APPLICATION**

Rotary valve engines.

Rotary valve shaft seal pusher (coolant pump side) **11**  
(P / N 420 8770 50)

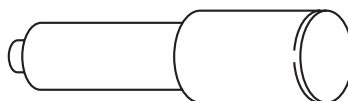


A00C0X4

**APPLICATION**

Rotary valve engines.

Bearing pusher (rotary valve) **12**  
(P / N 420 8765 00)

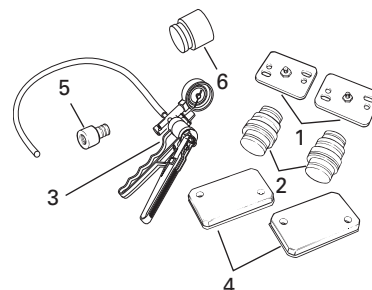


A00B2J4

**APPLICATION**

Rotary valve engines.

Engine leak tester kit **14**  
(P / N 861 7491 00)



A01B2D4

**APPLICATION**

All engines.

Parts included in the kit :

- 1) Exhaust outlet plug (2)  
(P / N 529 0246 00)
- 2) Intake manifold plug (2)  
(P / N 529 0110 00)
- 3) Air pump (1)  
(P / N 529 0218 00)
- 4) RAVE system plug (2)  
(P / N 529 0112 00)
- 5) Adapter (2)  
(P / N 517 2349 00)
- 6) Intake manifold plug - 779  
(P / N 529 0305 00)

2-1/4 in plug (1)  
(P / N 529 0211 00)

2-3/4 in plug (1)  
(P / N 529 0212 00)

Plates (2)  
(P / N 529 0213 00)

Radiator plug (1)  
(P / N 529 0214 00)

Clamp (1)  
(P / N 408 8035 00)

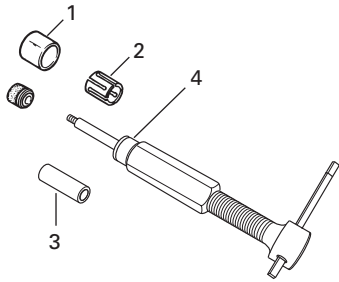
Adapter 3/16 ID x 1/8 NPT (2)  
(P / N 408 2011 00)

**NOTE :** Must maintain a pressure of 5 lb during 3 minutes. Never pressurize over 5 lb.

# ENGINE

Piston pin puller  
(P / N 529 0290 00)

**16**



A01B4H4

## APPLICATION

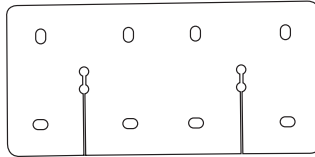
All engines.

Parts included :

- 1) Locating sleeve (3)  
(P / N 529 0238 00)
- 2) Expansion sleeve (3)  
(P / N 529 0237 00)
- 3) Adaptor  
(P / N 529 0236 00)
- 4) Bushing  
(P / N 529 0277 03)

Rubber pad  
(P / N 529 0234 00)

**17**



A01B4C4

## APPLICATION

All cageless bearing engines (277 and 503).

Rotary valve circlip tool

A) (P / N 529 0291 00)

**18**

B) (P / N 529 0208 00)

**15**




A00C314

## APPLICATION

- A) 454 and 670 engines.  
B) All rotary valve engines except the 454 and 670.

# TRANSMISSION

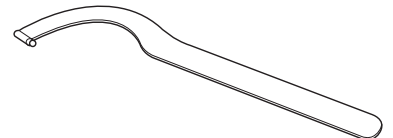
Clutch holder  
(P / N 529 0064 00) **51**



A01B154

**APPLICATION**  
All TRA drive pulleys.

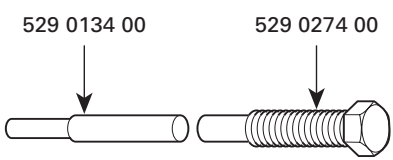
Clutch holder  
(P / N 529 0276 00) **79**



A02B034

**APPLICATION**  
Bombardier Lite drive pulley.

Drive pulley puller  
(P / N 529 0275 00) **53**  
Consists of :

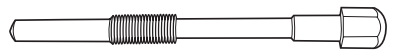


529 0134 00      529 0274 00

A00C094

**APPLICATION**  
Bombardier Lite drive pulley, except Élan.

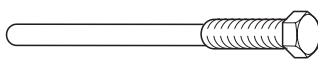
TRA drive pulley puller  
(P / N 529 0224 00) **75**



A06B014

**APPLICATION**  
TRA drive pulley for the 454, 494, 599, 670 and 779 engines.

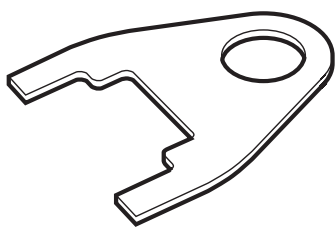
TRA drive pulley puller  
(P / N 529 0079 00) (25 mm) **55**



A18B044

**APPLICATION**  
TRA drive pulley (except 599, 670 and 779 engines).

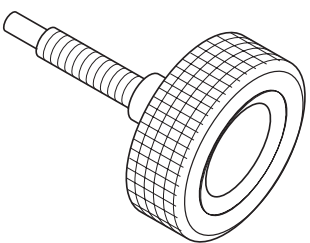
Forks (3)  
(P / N 529 0055 00) **57**



A16B014

**APPLICATION**  
All vehicles equipped with a TRA drive pulley.


Drive belt installer  
(P / N 529 0172 00) **58**



A00A1A4

**APPLICATION**  
All vehicles except Élan and Tundra II.

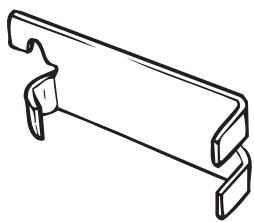
Alignment bar  
A) (P / N 529 0267 00) **78**  
B) (P / N 529 0269 00) **60**  
C) (P / N 529 0300 00) **80**  
D) (P / N 529 0268 00) **73**



A01B4D4

**APPLICATION**  
A) F-Series and S-Series with 503.  
B) Tundra II.  
C) S-Series with Bombardier Lite drive pulley.  
D) Safari L and Skandic.

Spring scale hook  
(P / N 529 0152 00) **62**



A01B514

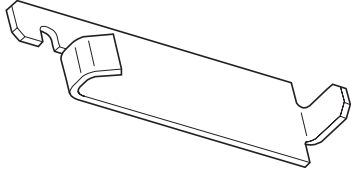
**APPLICATION**  
1994 models and older except Alpine II.

# TRANSMISSION

Spring scale hook  
(P / N 529 0309 00)

**84**

**NEW**



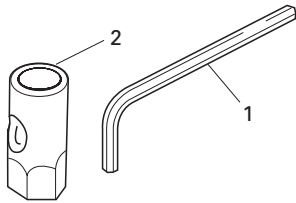
A00B4A4

**APPLICATION**

F-Series and S-Series (1995 and newer).

Drive belt tension adjuster tool  
(P / N 529 0087 00)

**63**



A15B044

**APPLICATION**

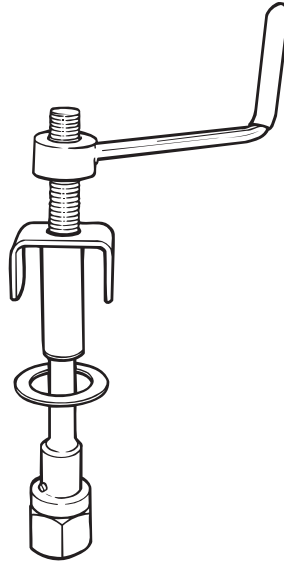
All vehicles except Élan, Tundra II and Skandic WT.

Spring compressor /  
TRA clutch flare tool  
(P / N 529 0186 00)

**64**

**Parts included in the kit :**

**1) Spring compressor  
(P / N 529 0151 00)**



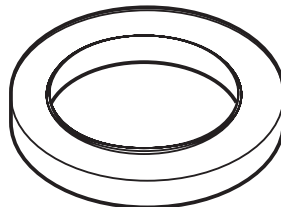
A01B334

**APPLICATION (1)**

S and F-Series and Alpine II driven pulley type.

All TRA pulley.

**3) Washer (2)  
(P / N 732 9000 15)**



A01B3T4

**APPLICATION (3)**

All applications.

**2) TRA clutch spring cover bushing flare tool**

A) INTERIOR flare tool  
(P / N 529 0180 00)

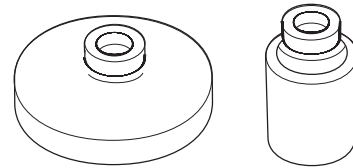
EXTERIOR flare tool  
(P / N 529 0181 00)

○ NOTE : Letter A stamper on tools.

B) INTERIOR flare tool  
(P / N 529 0182 00)

EXTERIOR flare tool  
(P / N 529 0183 00)

○ NOTE : Letter B stamper on tools.



A01B3F4

**APPLICATION (2)**

A) TRA pulley (25 mm shaft).

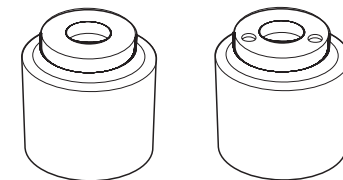
B) TRA pulley (27 mm shaft).

**4) TRA clutch outer half bushing flare tool**

INTERIOR flare tool  
(P / N 529 0184 00)

EXTERIOR flare tool  
(P / N 529 0185 00)

○ NOTE : Letter C stamper on tools.



A01B3I4

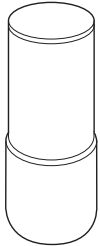
**APPLICATION (4)**

All TRA drive pulleys.

# TRANSMISSION

Burnishing bar  
(P / N 529 0264 02) **77**


**NEW**



A00B464

**APPLICATION**  
Safari L and Skandic.

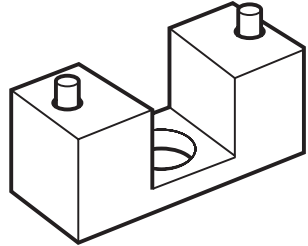
Countershaft bearing installer  
(P / N 529 0302 00) **83**



A00A194

**APPLICATION**  
S-Series and F-Series.

Spring cover tool  
(P / N 529 0273 00) **81**

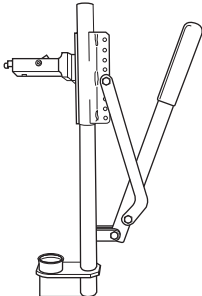


A01B4M4

**APPLICATION**  
Bombardier Lite drive pulley.

Shock spring remover kit  
(P / N 529 0271 00) **65**

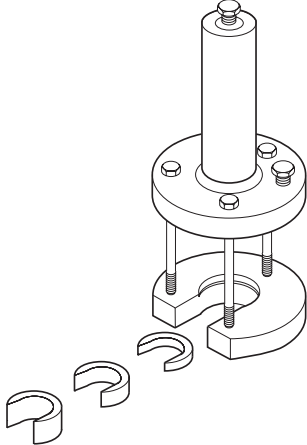
Parts included in the kit :  
Pin  
(P / N 414 5284 00)



A01B404

**APPLICATION**  
All suspensions with coil spring.

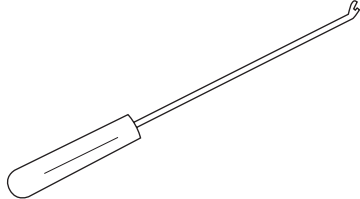
Countershaft bearing remover  
(P / N 529 0301 00) **82**



A00A274

**APPLICATION**  
S-Series and F-Series.


Transmission adjuster  
(P / N 529 0285 00) **76**



A00D0X4

**APPLICATION**  
F-Series equipped with reverse gear.

Tension tester  
(P / N 414 3482 00) **74**



A00C074

**APPLICATION**  
All models.