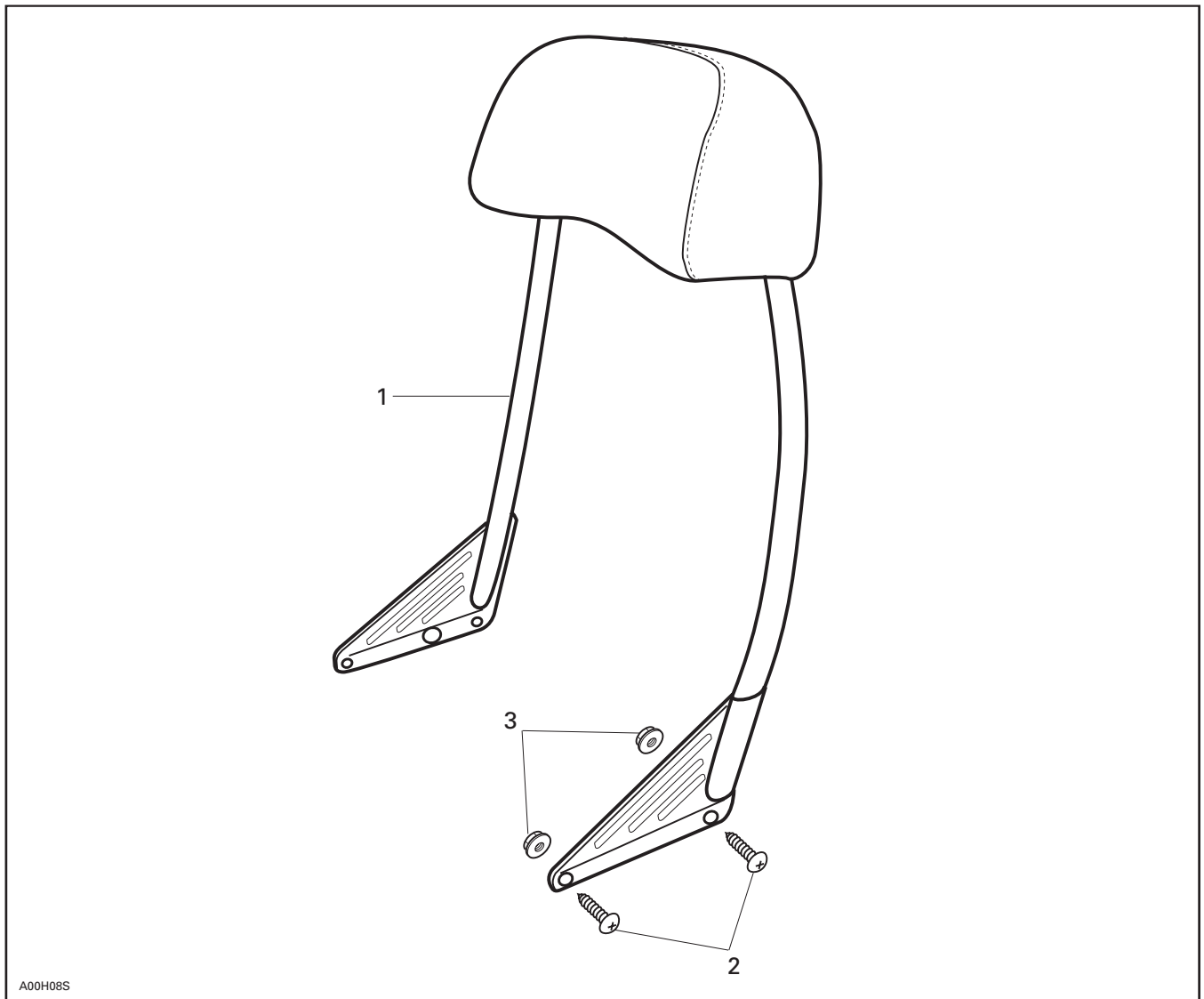




◆ **WARNING :** For safety reasons, this kit must be installed by an authorized Bombardier snowmobile dealer. Should removal of a locking device be required when undergoing disassembly/assembly, always replace with a new one. This instruction sheet should be given to the purchaser. This kit is designed for specific applicable models only. It is not recommended for vehicles other than those for which it was sold.

○ **NOTE :** Installation time is approximately 0.5 hours.

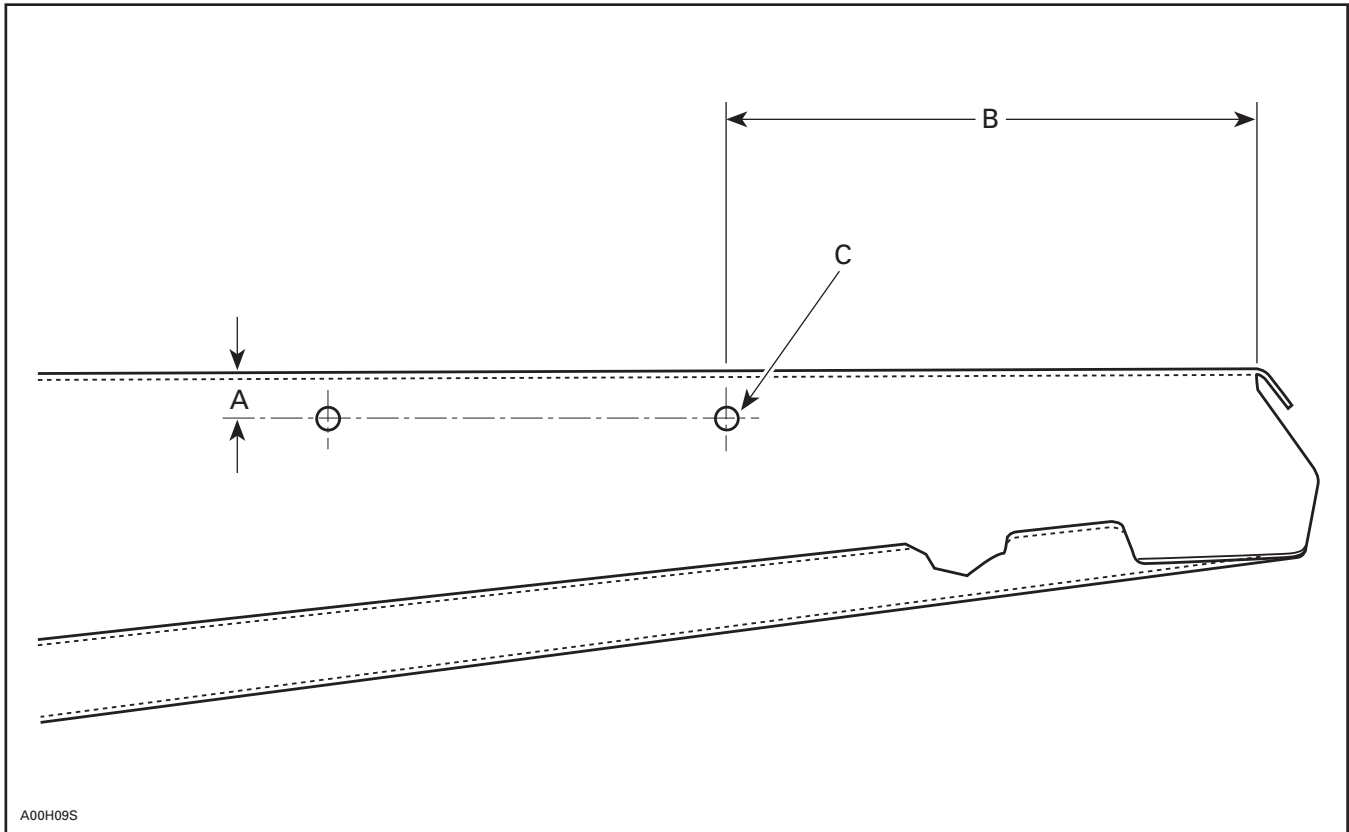
PARTS TO BE INSTALLED



- A00H08S
1. Backrest
 2. Screw M6 x 18 (4)
 3. Nut M6 (4)

INSTRUCTIONS

1. Drill the rear holes each side of the tunnel as illustrated.
2. Install the backrest **no. 1** on the vehicle. Hold the backrest with 2 screws **no. 2** and 2 nuts **no. 3** (hand tighten).
3. Drill the other 2 holes using the backrest holes as a template.
4. Tighten the backrest screws **no. 2** and nuts **no. 3**.



- A. 16 mm (5/8 in)
- B. 200 mm (7-7/8 in)
- C. 6.5 mm (1/4 in)

861 7465 00

1	414 9341 00	Backrest	Dossier
2	732 6000 09	Screw M6 x 18 (4)	Vis M6 x 18 (4)
3	228 7610 45	Nut M6 (4)	Écrou M6 (4)