



BOMBARDIER

snowmobiles

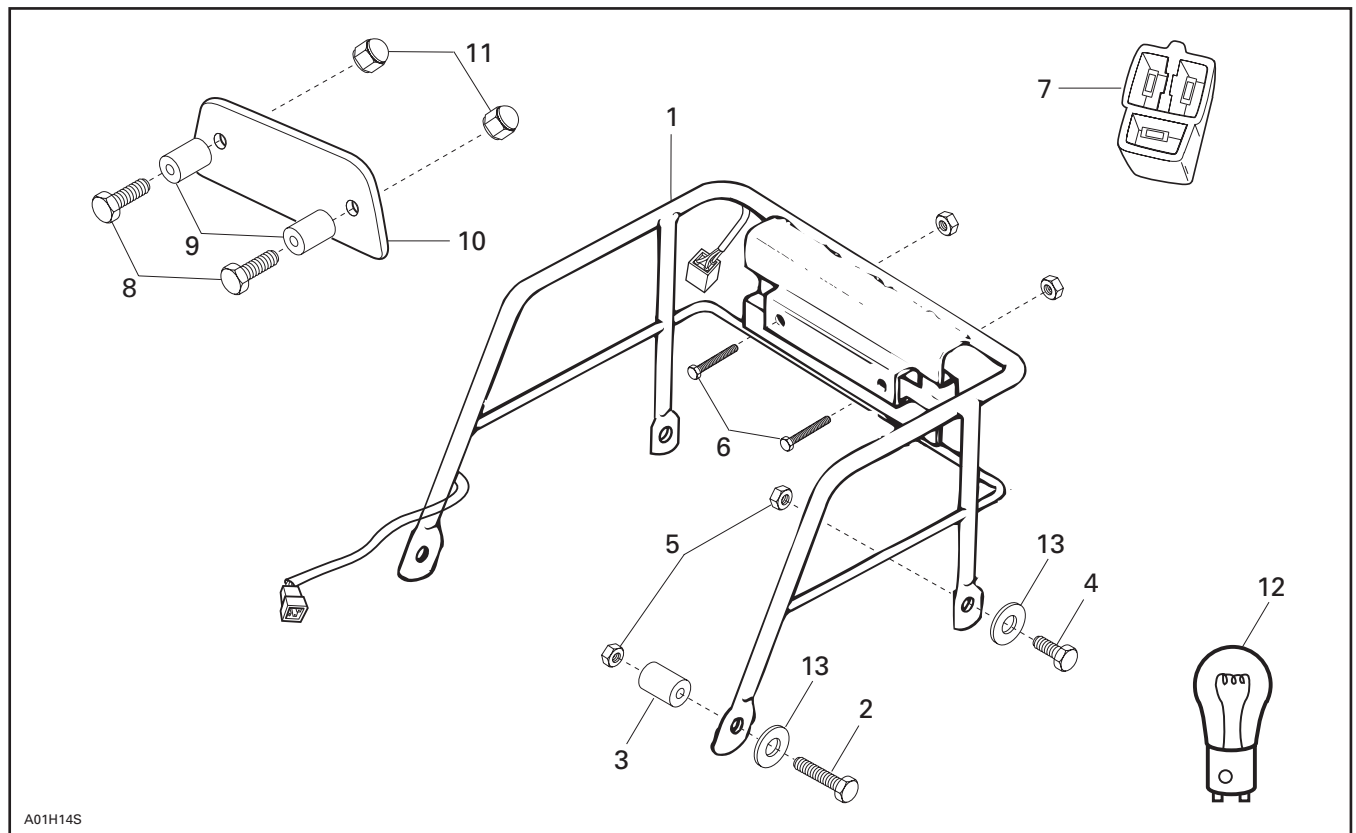
LUGGAGE RACK KIT (P / N 861 7473 00)

◆ **WARNING :** For safety reasons, this kit must be installed by an authorized Bombardier Ski-Doo snowmobile dealer. Should removal of a locking device be required when undergoing disassembly / assembly, always replace with a new one. This instruction sheet should be given to the purchaser after modification. This kit is designed for specific applicable models only. It is not recommended for snowmobiles other than those for which it was sold.

○ **NOTE :** Installation time is approximately 1.0 hour.

▼ **CAUTION :** When Bombardier optional rack kit is installed, the maximum carrying capacity is 13 kg (30 lb).

PARTS TO BE INSTALLED



- | | |
|-------------------------------|---------------------|
| 1. Rack Ass'y | 7. 3-Tab Housing |
| 2. Bolt M6 x 40 (2) | 8. Bolt M5 x 12 (2) |
| 3. Spacer (2) | 9. Spacer (2) |
| 4. Bolt M6 x 20 (2) | 10. Cover |
| 5. Flanged Elastic Nut M6 (4) | 11. Dome Nut M5 (2) |
| 6. Bolt M5 x 30 (2) | 12. Tail Lamp Bulb |
| | 13. Washer (4) |

INSTRUCTIONS FOR S AND F SERIES MODELS, LONGTRACK (EXCEPT GRAND TOURING)

NOTE : The luggage rack kit fits on single and double seats.

VEHICLE PREPARATION

Remove the tail light assembly from the seat. Keep nuts and washers, discard bolts.

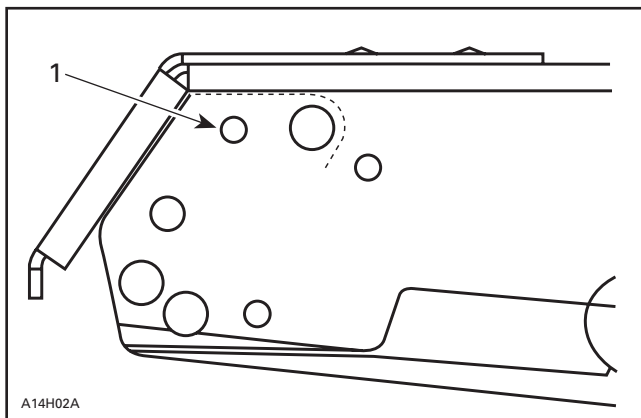
Remove seat.

Remove rear and side moldings.

Remove the tab connectors from the tail light connector housing.

INSTALLATION

Position rack **no. 1** on frame using pre-drilled holes, then secure rear of rack with bolts **no. 4**, washers **no. 13** and flanged elastic nuts **no. 5**. Do not tighten yet.



1. Position rack here

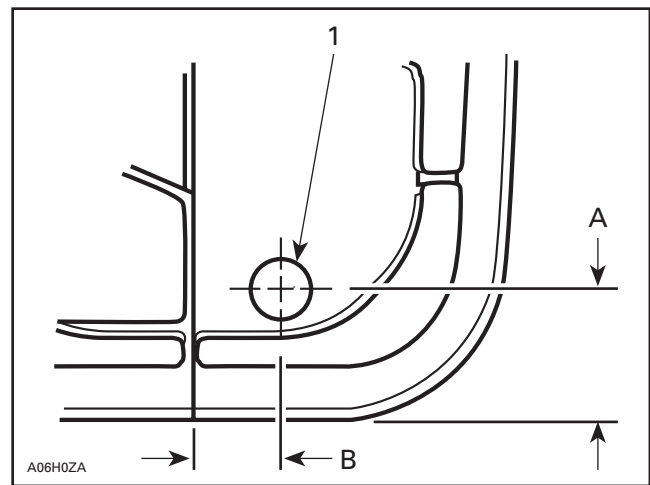
Make sure the rack is level then drill 6.5 mm (13/64 in) holes through tunnel using existing holes in rack tubing as a template.

NOTE : If vehicle is equipped with a non-adjustable backrest, remove the bolts on each side but do not discard. Drill holes through backrest support. Only reinstall bolts after having installed the seat. Do not reinstall seat yet.

CAUTION : When drilling front rack holes, be careful not to damage heat exchangers underneath tunnel.

Remove staples from right rear corner of seat using care.

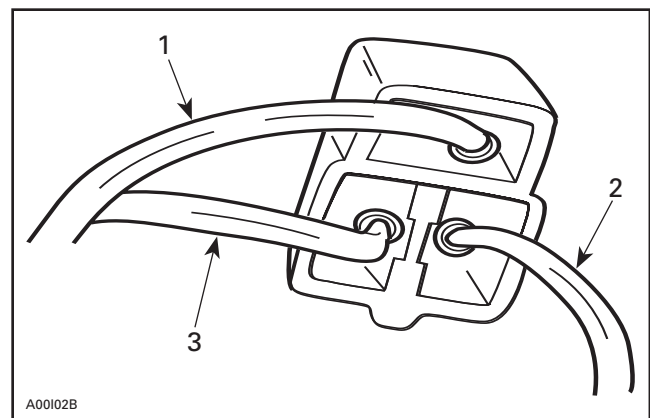
Drill a 25 mm (1 in) hole as illustrated.



1. Drill hole here
A. 50 mm (2 in)
B. 30 mm (1 3/16 in)

Reroute the wires that were previously removed to the newly drilled hole, underneath the seat.

Install the tab connectors as illustrated into new housing **no. 7**.



1. YELLOW/BLACK
2. YELLOW
3. WHITE

REINSTALLATION

Restaple seat.

Plug the 2 connectors beneath the seat, then place them in the seat by passing them through the previously drilled hole. Assure to leave some slack in the wires.

Reinstall seat then bolt front part of rack with bolts **no. 2**, washers **no. 13**, spacers **no. 3** and flanged elastic nuts **no. 5**.

Reinstall tail light assembly onto luggage rack. Secure using bolts **no. 6** and existing nuts and washers.

Replace the tail light bulb **no. 12**.

Cut rear and side moldings to fit around tubes.

Reinstall tail light cover.

Test tail light and stop light for proper operation.

Single Seat

Bolt cover on seat tail light hole using M5 x 12 no. 8 screws and cap nuts no. 11.

▼ **CAUTION** : Do not overtighten nuts. Plastic cover may crack.

Double Seat

Install spacers no. 9 between light ass'y and cover no. 10 using if necessary washers (not supplied).

Install dome nuts no. 11.

INSTRUCTIONS FOR GRAND TOURING 500

VEHICLE PREPARATION

Remove the tail light assembly from the seat. Keep nuts and washers, discard bolts.

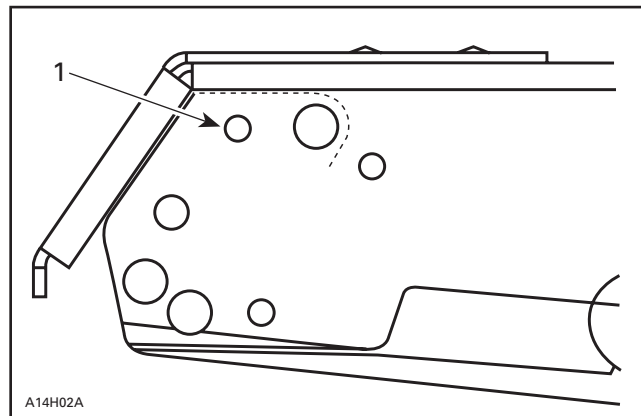
Remove seat.

Remove rear and side moldings.

Remove the tab connectors from the tail light connector housing.

INSTALLATION

Position rack no. 1 on frame using pre-drilled holes, then secure rear of rack with bolts no. 4, washers no. 13 and flanged elastic nuts no. 5. Do not tighten yet.



1. Position rack here

Make sure the rack is level then drill 6.5 mm (13/64 in) holes through tunnel using existing holes in rack tubing as a template.

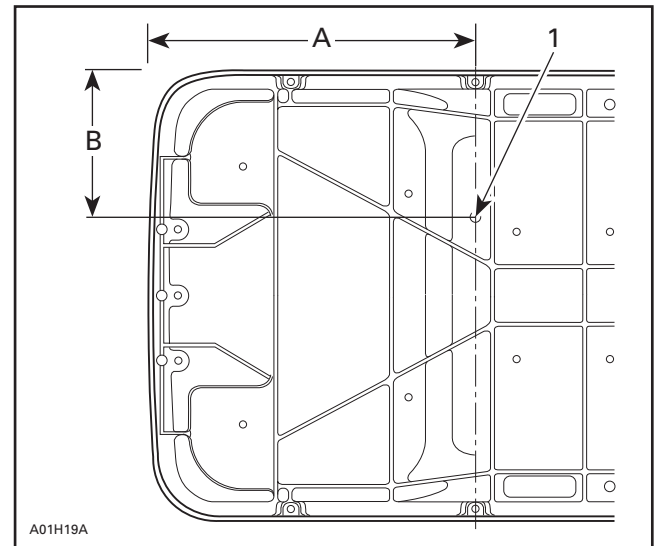
▼ **CAUTION** : When drilling front rack holes, be careful not to damage heat exchangers underneath tunnel.

Remove staples 300 mm (1 foot) in length from the right rear corner and moving forward along the side of the seat.

Remove staples 140 mm (5 1/2 in) in length from rear of seat.

Drill a 25 mm (1 in) hole in bottom of seat.

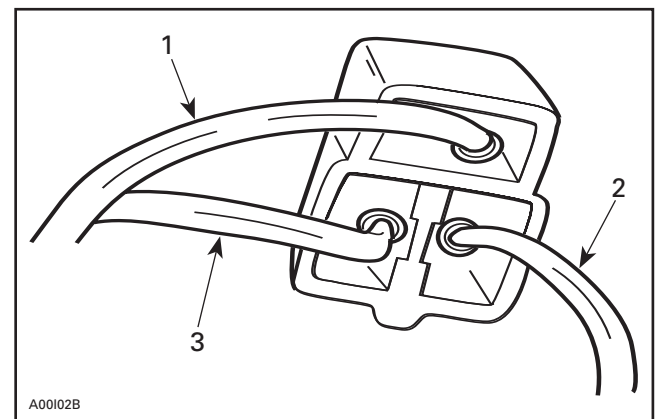
Refer to the following illustration.



1. Drill hole here
A. 300 mm (1 ft)
B. 140 mm (5 1/2 in)

Reroute the wires that were previously removed to the newly drilled hole, underneath the seat.

Install the tab connectors as illustrated into new housing no. 7.



1. YELLOW / BLACK
2. YELLOW
3. WHITE

REINSTALLATION

Restaple seat.

Plug the 2 connectors beneath the seat, then place them in the seat by passing them through the previously drilled hole. Assure to leave some slack in the wires.

Reinstall seat then bolt front part of rack with bolts **no. 2**, spacers **no. 3**, washers **no. 13** and flanged elastic nuts **no. 5**.

Reinstall tail light assembly onto luggage rack.

Secure using bolts **no. 6** and existing nuts and washers.

Replace the tail light bulb **no. 12**.

Cut rear and side moldings to fit around tubes.

Reinstall tail light cover.

Test tail light and stop light for proper operation.

Double Seat

Install spacers **no. 9** between light ass'y and cover **no. 10** using if necessary washers (not supplied).

Install dome nuts **no. 11**.

861 7473 00

1.	580 6341 00	Rack Ass'y	Porte-bagages (complet)
2.	222 0640 65	Bolt M6 X 40 (2)	Boulon M6 X 40 (2)
3.	517 1856 00	Spacer (2)	Entretoise (2)
4.	222 0620 65	Bolt M6 X 20 (2)	Boulon M6 X 20 (2)
5.	228 7610 45	Flanged Elastic Nut M6 (4)	Écrou d'arrêt élastique à épaulement M6 (4)
6.	222 0530 65	Bolt M5 X 30 (2)	Boulon M5 X 30 (2)
7.	409 2043 00	3-Tab Housing	Logement à 3 raccords
8.	222 0512 65	Bolt M5 X 12 (2)	Boulon M5 X 12 (2)
9.	517 2236 00	Spacer (2)	Entretoise (2)
10.	414 9765 00	Cover	Couvercle
11.	732 6100 62	Dome Nut M5 (2)	Écrou-capuchon M5 (2)
12.	410 5041 00	Tail Lamp Bulb	Ampoule de feu arrière
13.	224 0611 21	Washer (4)	Rondelle (4)