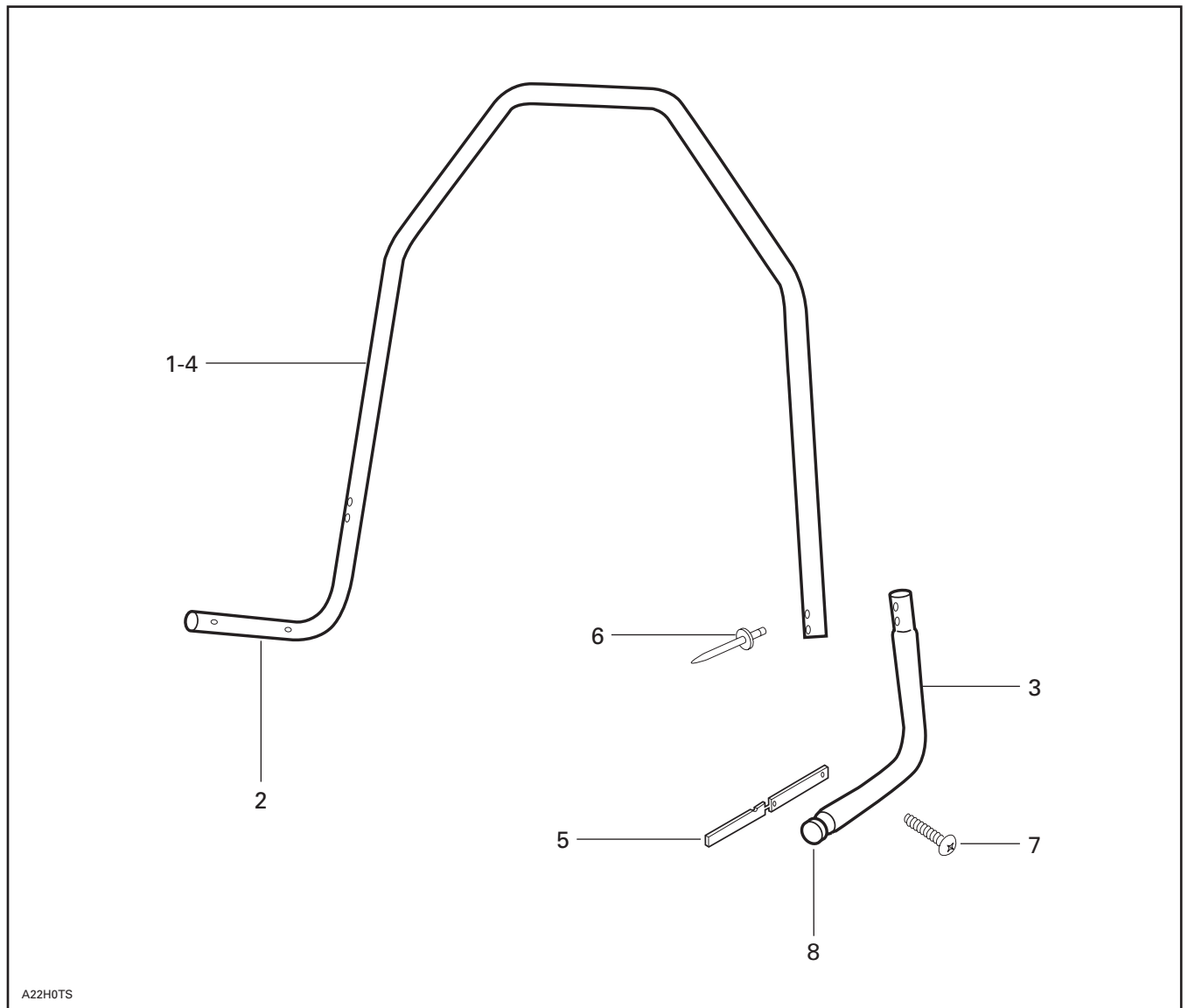




◆ **WARNING :** For safety reasons, this kit must be installed by an authorized Bombardier Ski-Doo snowmobile dealer. Should removal of a locking device be required when undergoing disassembly / assembly, always replace with a new one. This instruction sheet should be given to the purchaser after modification. This kit is designed for specific applicable models only. It is not recommended for snowmobiles other than those for which it was sold.

PARTS INCLUDED IN THE KIT



- 1. Hood Protector
- 2. Tube LH
- 3. Tube RH
- 4. Rubber Cover (installed)

- 5. Retaining Plate (2)
- 6. Rivet (4)
- 7. Set Screw M6 x 35 (4)
- 8. End Plug (2)

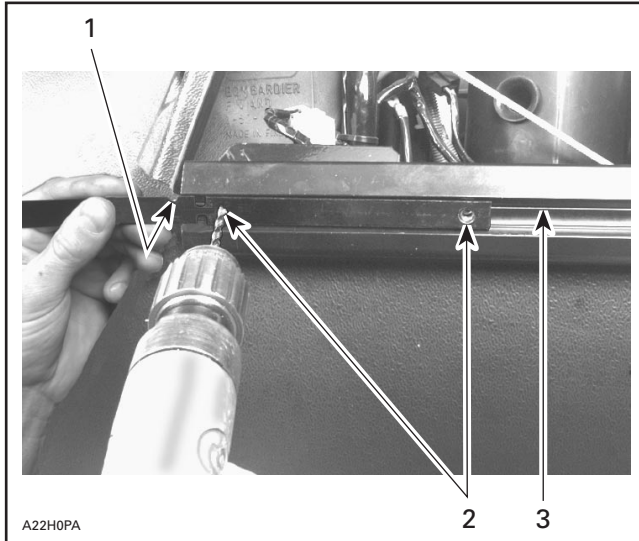
INSTALLATION PROCEDURE

Open hood.

Remove end caps from bumper.

Position retaining plate **no. 5** over bumper. Align retaining plate notch with bumper end.

Drill pilot holes on bumper line.

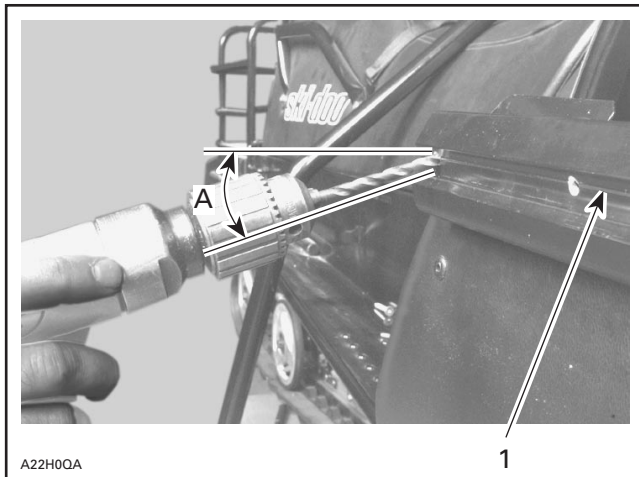


- 1. Notch
- 2. Pilot holes
- 3. Line

Drill two 6.2 mm (1/4 in) dia. holes centered with line and on the angle.

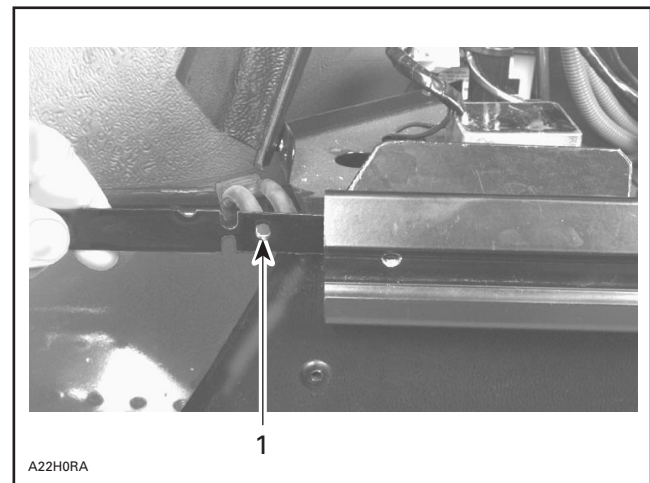
Refer to photo.

NOTE : This angle is the same of tube hole one.



- 1. Line
- A. Drilling angle

Insert retaining plate **no. 5** in bumper with welded nuts facing toward the inside of the vehicle.



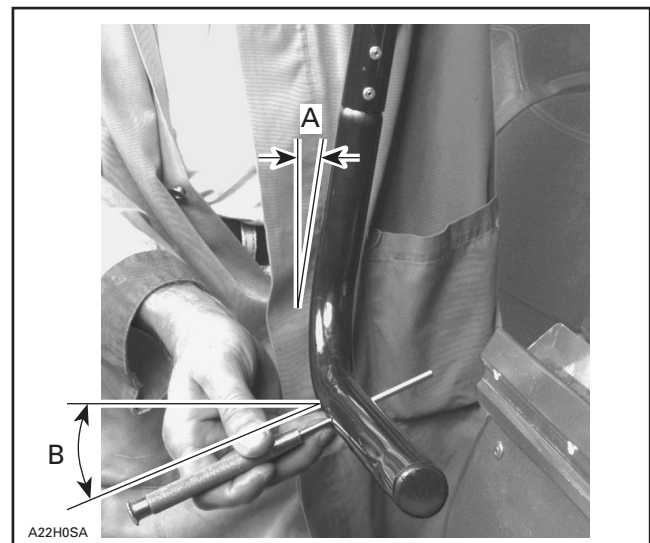
- 1. Welded nuts inward

Identify left tube **no. 2** and right tube **no. 3** tubes ; see below and note hole angle. Assemble tubes to the bumper.

Assemble hood protector **no. 1** to its tubes **nos. 2 and 3**.

Using hood protector as template, drill two 4.1 mm (5/32 in) dia. holes in both tubes.

NOTE : Drill through first wall of tubes only. Do not pierce right through.



- A. Retaining tube angle
- B. Retaining tube hole angle

Rivet the hood protector **no. 1** to its tubes **nos. 2 and 3**.

Break retaining plate extension by bending it up and down.

Install hood protector plastic caps **no. 8** at tube ends.

Reinstall bumper end caps.

M5340389

1.	M5340390	Hood Protector	Protecteur de capot
2.	M5340391	Tube LH	Tube gauche
3.	M5340392	Tube RH	Tube droit
4.	M5440393	Rubber Cover (installed)	Couvercle de caoutchouc (installé)
5.	M5340620	Retaining Plate (2)	Plaque de retenue (2)
6.	M36065	Rivet (4)	Rivet (4)
7.	M40054	Set Screw M6 x 35 (4)	Vis de pression M6 x 35 (4)
8.	M28009	End Plug (2)	Bouchon d'extrémité (2)