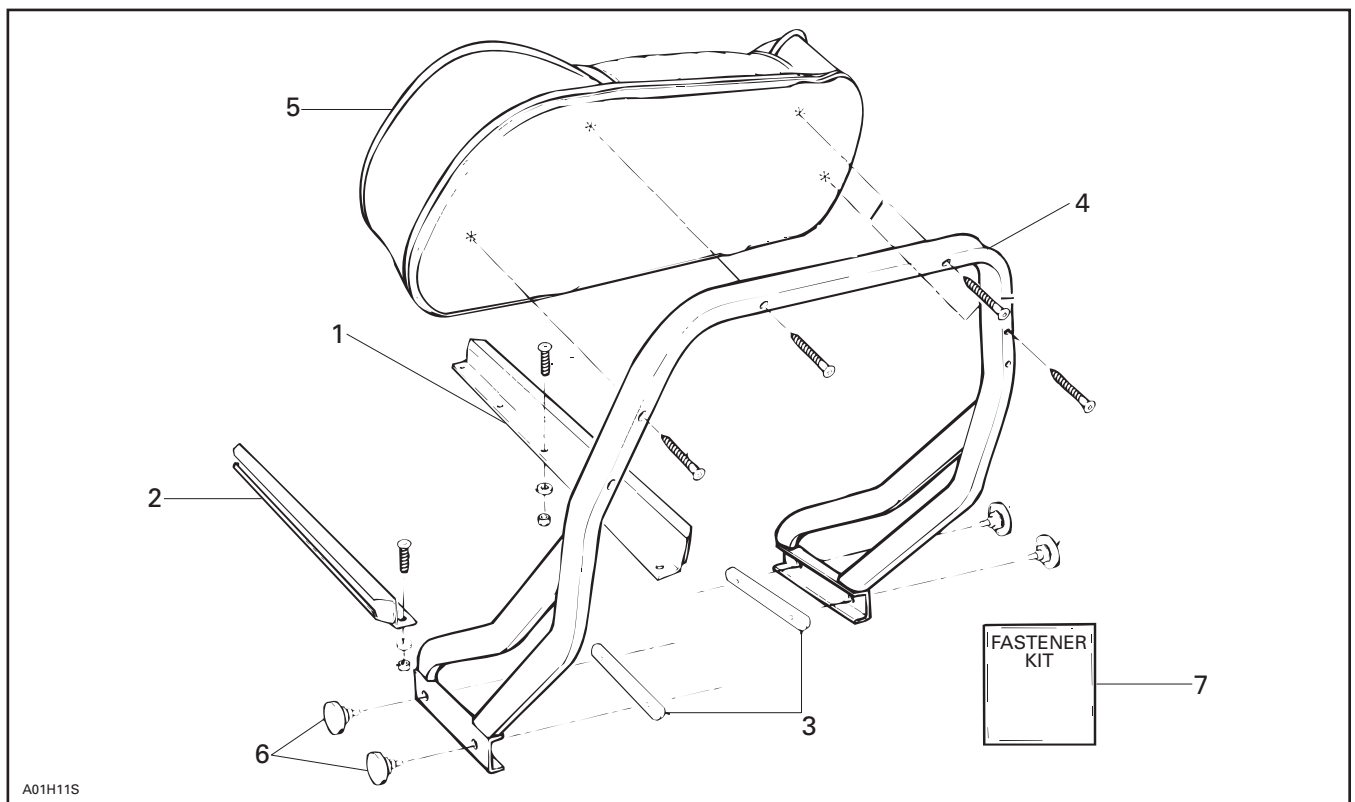




◆ **WARNING :** For safety reasons, this kit must be installed by an authorized Bombardier Ski-Doo snowmobile dealer. Should removal of a locking device be required when undergoing disassembly/assembly, always replace with a new one. This instruction sheet should be given to the purchaser after modification. This kit is designed for specific applicable models only. It is not recommended for snowmobiles other than those for which it was sold.

○ **NOTE :** Installation time is approximately 1.0 hour.

PARTS TO BE INSTALLED



- 1. Rail, Right Side
- 2. Rail, Left Side
- 3. Sliding Plate (2)
- 4. Backrest Frame

- 5. Cushion
- 6. Adjustable Knob (4)
- 7. Mounting Hardware (Bag containing Bolts, Washers, Nuts and Wood Screws)

PREPARATION

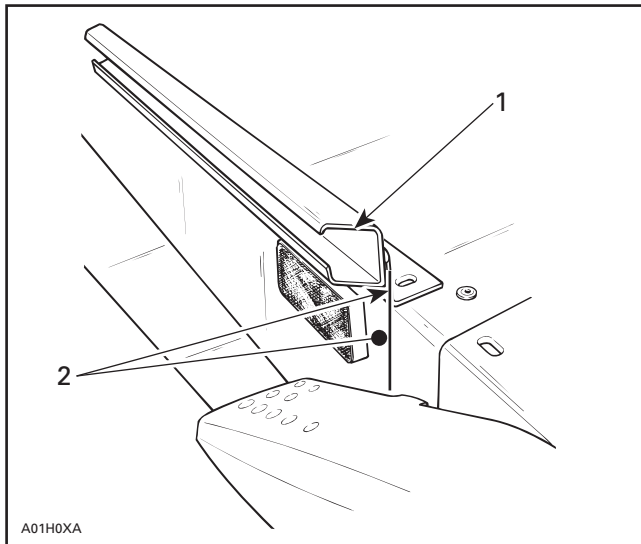
Tools Required

- Measuring tape
- Drill
- 6.5 mm (1/4 in) drill bit
- Robertson screwdriver **no. 3** (black, square tip)
- 10 mm (3/8 in) and 11 mm (7/16 in) wrenches or sockets with 30 mm (12 in) extension and ratchet.

INSTALLATION

Remove seat from vehicle.

Lean rail **no. 1** on tunnel so that the back of the steel angle is flush with edge of tunnel.



1. Slide of rail higher than tunnel
2. Flush with edge of tunnel

Install rail so that the slots align with those that are on the tunnel.

Hold rail firmly and using a punch, mark the slots on the tunnel for drilling references.

Using rail as a template, drill holes in frame with a 6.5 mm (1/4 in) drill bit.

▼ **CAUTION** : When drilling, align the drill bit in the center of the slot and at the outer edge to allow proper adjustment.

◆ **WARNING** : Be careful not to drill heat exchangers underneath frame.

Install rail with mounting hardware **no. 7**. Insert bolts from top and then washers and nuts from beneath.

○ **NOTE** : Wood screws from the mounting hardware bag will be used later in the installation.

Use the ratchet and extension for easy access beneath the tunnel. Tighten the nuts loosely for now.

Repeat procedure for the other side using left hand rail **no. 2**.

Reinstall seat (do not tighten) to adjust the rail distance accordingly.

Insert the sliding plates **no. 3** into the rails, the backrest frame **no. 4** onto rails and install the adjustable knobs **no. 6**. Tighten knobs loosely.

Slide the backrest frame forward and back to assure the rails are parallel and that the frame movement is unobstructed.

Remove seat and tighten the bolts on each rail.

Slide the backrest frame forward and back again to assure easy movement.

IMPORTANT: Adjust backrest width prior to installing cushion.

○ **NOTE** : If the luggage rack and the backrest are to be installed at the same time, proceed with rack installation before installing cushion.

Position the cushion **no. 5** on the backrest frame so that it is centered both from side to side and top to bottom.

○ **NOTE** : Make sure to keep at least 16 mm (5/8 in) on top so that if a luggage rack is installed, the top of the cushion will be flush with the top of the rack's transverse bar.

Secure cushion with wood screws **no. 7**.

Apply a light coat of grease on sliding surface of rails.

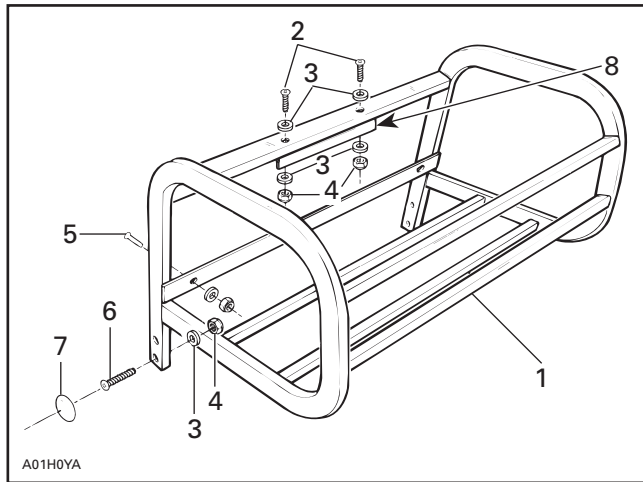
Adjust backrest to desired position and tighten adjustment knobs.

Reinstall seat.

◆ **WARNING** : Periodically check the adjustment knobs to assure that they are tight.

LUGGAGE RACK KIT

Parts Included in Kit



1. Luggage Rack
2. Screw 1/4 x 1-3/4 in (2)
3. Washer 1/4 x 3/4 in (10)
4. Nut 1/4 in (8)
5. Carriage Bolt 1/4 x 1-1/2 (2)
6. Screw 1/4 x 1-1/2 in (2)
7. Cap (4)
8. Hooking Channel

Tools Required

- Drill
- 6.5 mm (1/4 in) drill bit
- Robertson (square tip) screwdriver no.3 (black)
- 11 mm (7/16 in) wrench or socket with ratchet

INSTALLATION PROCEDURE

Drill all holes with a 6.5 mm (1/4 in) drill bit. Use rack holes as guide.

Remove cushion from backrest.

▼ **CAUTION : Cushion must be removed for drilling operation.**

Install luggage rack **no. 1** over backrest.

Center rack hooking channel. Use top holes of cushion retaining screw as a guide.

Drill holes in top of backrest cross bar.

Install 44.5 mm (1-3/4 in) screws **no. 2** and nuts **no. 4**. Install a washer **no. 3** on each end of screws.

Drill holes in center of backrest crossbar through flat bar slots of rack.

Secure with carriage bolts **no. 5**, positioning head of bolts on cushion side.

Drill holes on side of backrest.

Secure with screws **no. 6**.

Push caps **no. 7** over holes of rack side members.

Reinstall cushion.

861 7522 00

1.	415 0100 00	Rail, Right Side	Rail (côté droit)
2.	415 0101 00	Rail, Left Side	Rail (côté droit)
3.	414 7359 00	Sliding Plate (2)	Plaque coulissante (2)
4.	414 7360 00	Backrest Frame	Châssis de dossier
5.	414 7361 00	Cushion	Coussin
6.	414 7183 00	Adjustable Knob (4)	Bouton réglable (4)
7.	414 7362 00	Mounting Hardware (Bag containing Bolts, Washers, Nuts and Wood Screws)	Dispositifs de fixation (sac contenant les boulons, les rondelles, les écrous et les vis à bois)