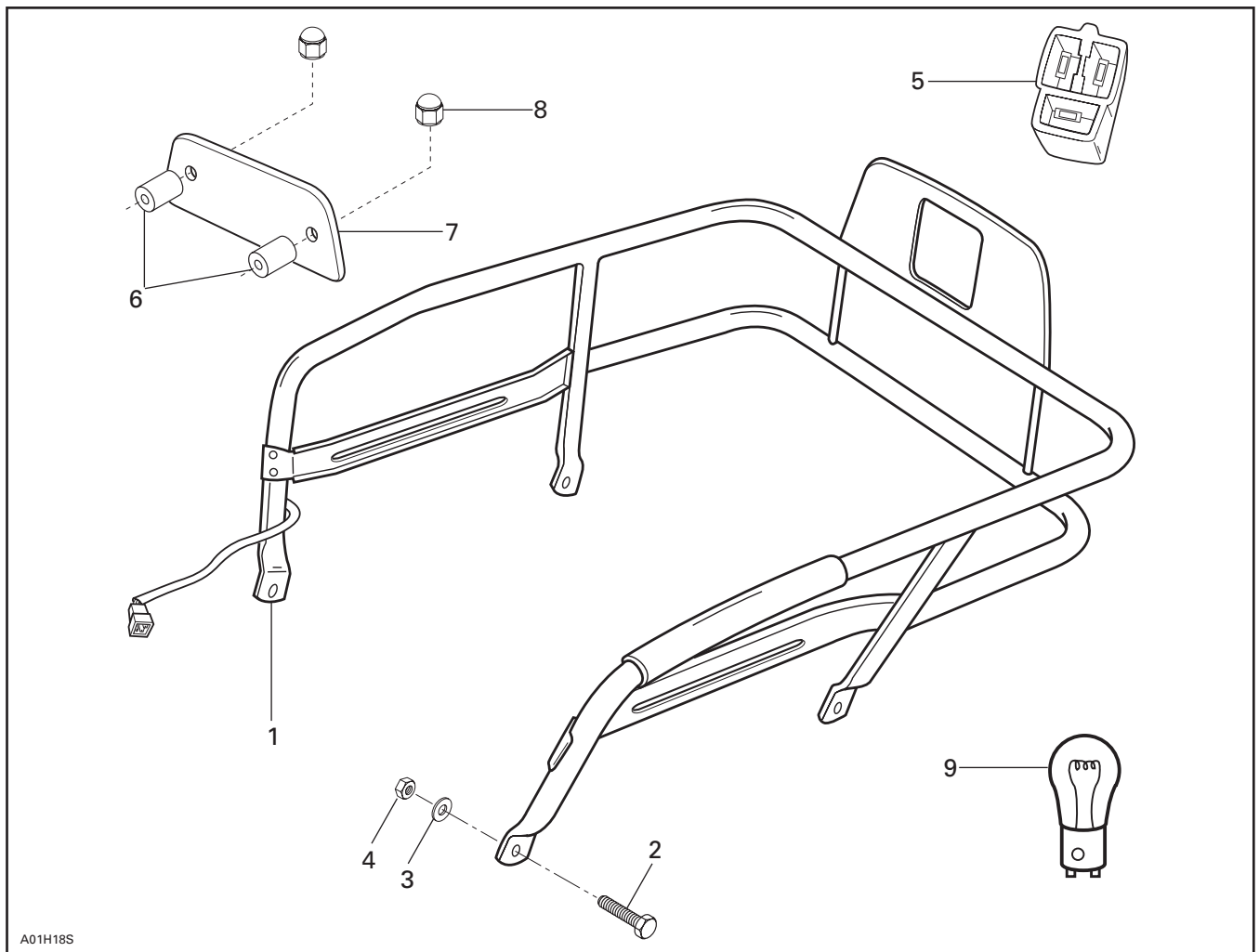




◆ **WARNING :** For safety reasons, this kit must be installed by an authorized Bombardier Ski-Doo snowmobile dealer. Should removal of a locking device be required when undergoing disassembly/assembly, always replace with a new one. This instruction sheet should be given to the purchaser after modification. This kit is designed for specific applicable models only. It is not recommended for snowmobiles other than those for which it was sold.

○ **NOTE :** Installation time is approximately 1.0 hour.

PARTS TO BE INSTALLED



1. Baggage Rack Assy
2. Hex Bolt M8 (4)
3. Flat Washer (4)
4. Elastic Hex Nut M8 (4)
5. Connector Housing

6. Spacer (2)
7. Plastic Cover
8. Dome Nut M5 (2)
9. Tail Light Bulb

VEHICLE PREPARATION

Remove the tail light assembly from the seat. Keep the bolts, nuts and washers.

Remove seat and moldings.

Remove the tab connectors from the tail light connector block.

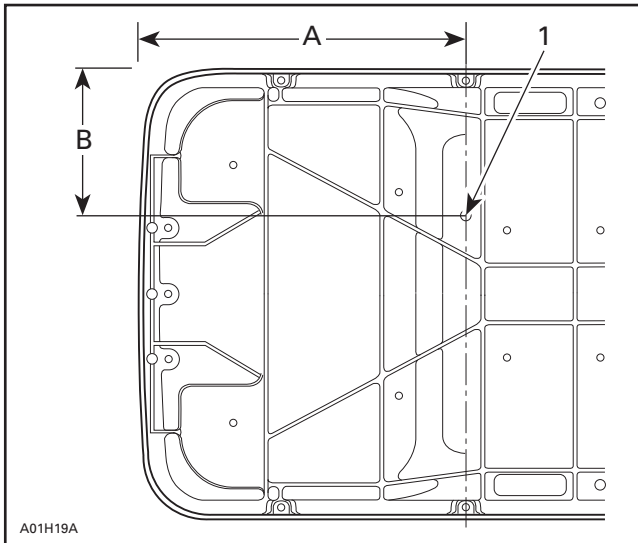
Remove staples 300 mm (1 foot) in length from the right rear corner and moving forward along the side of the seat.

Remove staples 140 mm (5 1/2 in) in length from rear of seat.

INSTALLATION

Drill a 25 mm (1 in) hole in bottom of seat.

Refer to the following illustration.



1. Drill hole here.
 A. 300 mm (1 foot)
 B. 140 mm (5 1/2 in)

Reroute the tail light harness to the previously drilled hole by passing it through the foam in the seat.

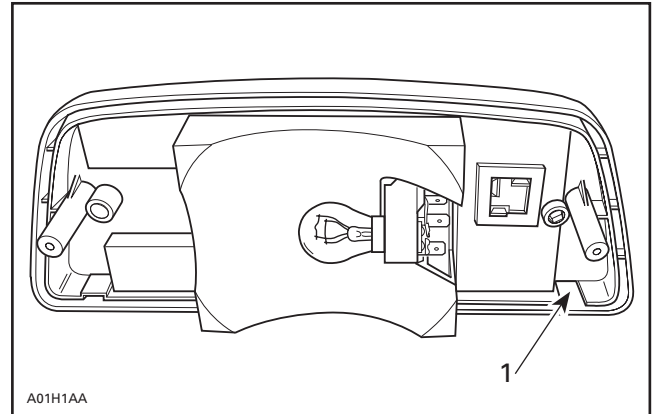
NOTE : Remove more staples if required for easier access.

Pull the harness through the hole then install the connector housing **no. 5**. Be sure to match the proper wire colors by referring to the colors of the connector at the front of the seat.

Restaple the seat cover.

Install the spacers **no. 6**, plastic cover **no. 7** and dome nuts **no. 8** on the seat in the previous tail light location. If necessary, Install washers (P/N 517 1243 00), not supplied in this kit.

Cut the plastic clip on the right side of the tail light housing using a pair of side cutters. Only cut the pastic recess, as shown in the following illustration.



1. Cut here

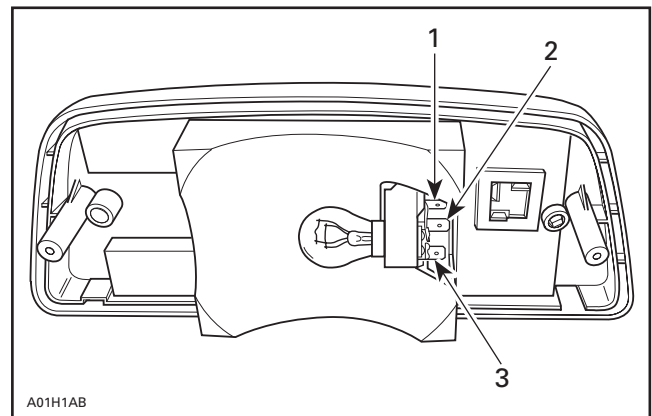
Remove the short wires between the light connector and the tail light housing.

Route the baggage rack wires through the previously cut tail light housing and connect the tabs directly to the light connectors.

Connect the wires as follows.

| WIRE COLOUR | CONNECTOR LOCATION |
|----------------|--------------------|
| WHITE | UPPER |
| YELLOW / BLACK | MIDDLE |
| YELLOW | LOWER |

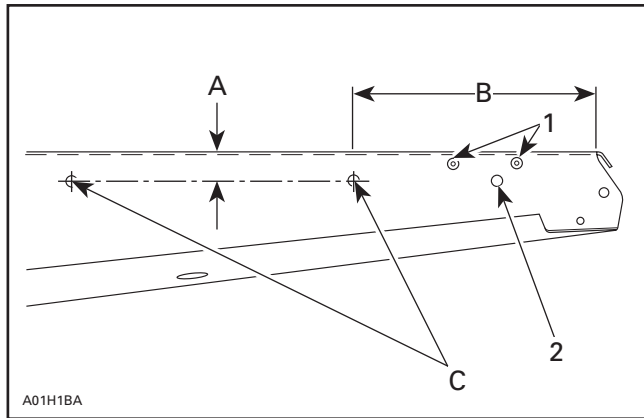
Remove the existing tail light bulb and replace with the new one supplied in this kit **no. 9**.



1. WHITE
 2. YELLOW/BLACK
 3. YELLOW

Reinstall the tail light housing on the rack using the existing bolts, nuts and washers that were previously removed.

Locate the rear hole on each side of the tunnel as illustrated.



- 1. Existing rivets
- 2. Existing hole
- A. 25 mm (1 in)
- B. 170 mm (6-51/64 in)
- C. 8.5 mm (21/64 in)

Install the rear mounts of the luggage rack **no. 1** on the vehicle with bolts **no. 2**, flat washers **no. 3** and elastic hex nuts **no. 4**. Hand tighten.

Lean the rack forward until it is 25 mm (1 in) from the top of the tunnel and drill an 8.5 mm (21 / 64 in) hole through the tunnel as well as the tunnel reinforcement on each side.

▼ CAUTION : Use extreme caution when drilling, do not pierce heat exchangers. Use a thin block of wood as a backing plate when drilling.

Install bolts **no. 2**, flat washers **no. 3** and elastic hex nuts **no. 4**. Do not tighten yet.

Plug the tab connectors for the tail light.

Reinstall the seat assuring that the connectors are properly tucked into the seat and that there is no gap between the seat and the top of the tunnel.

Firmly tighten the seat and the luggage rack.

Cut the moldings to fit around the rack tubes.

Reinstall the moldings.

Test the tail light and the brake light for proper operation.

861 7474 00

| | | | |
|----|-------------|------------------------|-------------------------------------|
| 1. | 580 6342 00 | Baggage Rack Assy. | Porte-bagages (complet) |
| 2. | 732 6011 86 | Hex Bolt M8 (4) | Boulon hexagonal M8 (4) |
| 3. | 732 9000 30 | Flat Washer (4) | Rondelle plate (4) |
| 4. | 228 5810 45 | Elastic Hex Nut M8 (4) | Écrou d'arrêt élastique hex. M8 (4) |
| 5. | 409 2043 00 | Connector Housing | Logement de raccord |
| 6. | 517 2236 00 | Spacer (2) | Entretoise (2) |
| 7. | 414 9765 00 | Plastic Cover | Couvercle de plastique |
| 8. | 732 6100 62 | Dome Nut M5 (2) | Écrou-capuchon M5 (2) |
| 9. | 410 5041 00 | Tail Light Bulb | Ampoule de feu arrière |