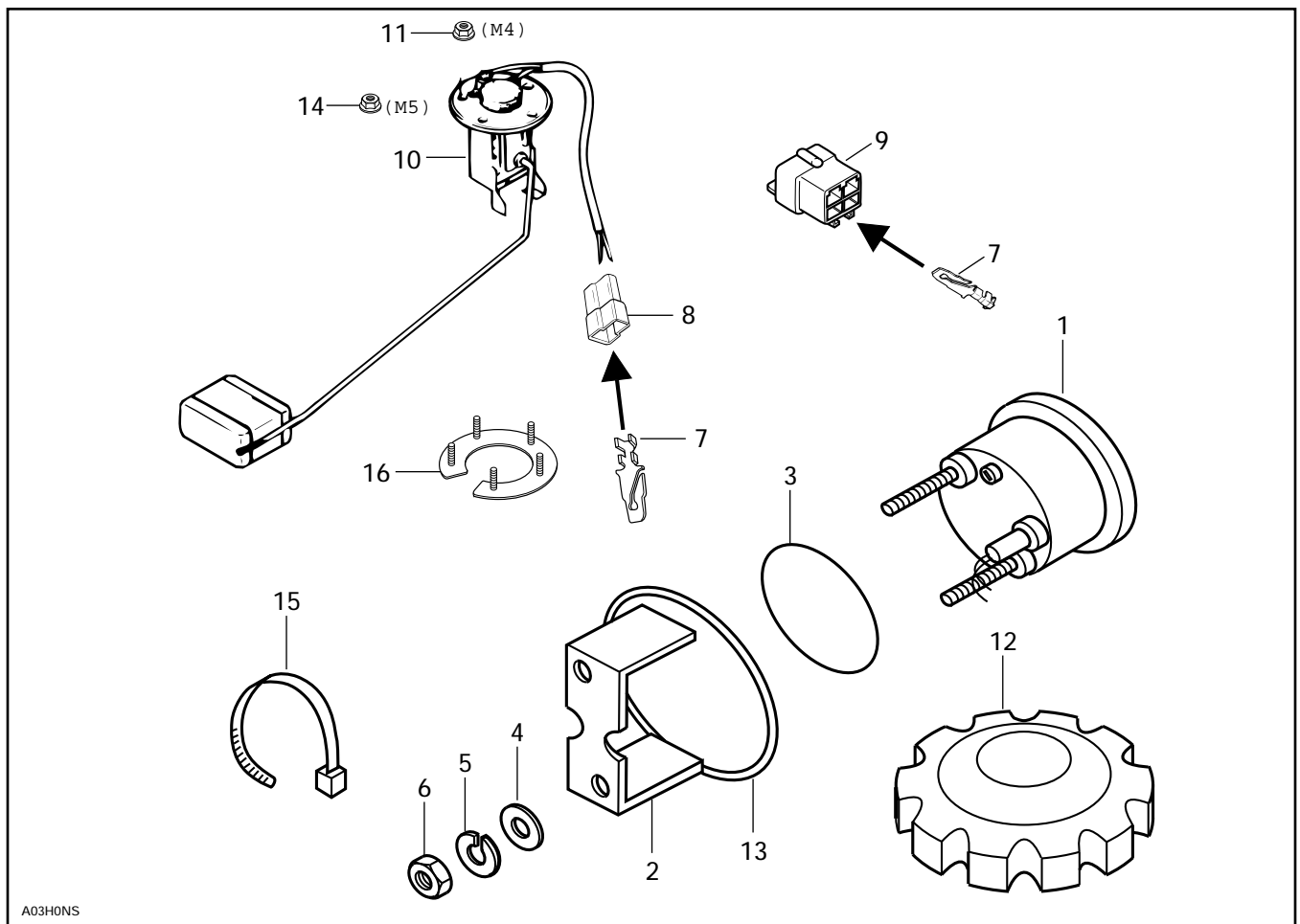




◆ **WARNING :** For safety reasons, this kit must be installed by an authorized Bombardier snowmobile dealer. Should removal of a locking device be required when undergoing disassembly/assembly, always replace with a new one. This instruction sheet should be given to the purchaser. This kit is designed for specific applicable models only. It is not recommended for vehicles other than those for which it was sold.

○ **NOTE :** Installation time is approximately 1.0 hour.

### PARTS TO BE INSTALLED



1. Fuel Gauge
2. Gauge Holder
3. Gauge Packing
4. Washer 7/32 (2)
5. Lock Washer (2)
6. Nut (2)
7. Tab (6)
8. 2-Tab Housing

9. 4-Tab Housing
10. Fuel Sensor
11. Flanged Nut M4 (5), S Series
12. Fuel Tank Cap
13. Formed Washer
14. Flanged Nut M5 (5), F Series
15. Tie Rap
16. Float Support, S Series

# INSTRUCTIONS

## Fuel Level Sender

Disconnect the battery (if equipped).

◆ **WARNING** : Always disconnect battery cables exactly in the specified order, **BLACK** negative cable first. Electrolyte or fuel vapors can be present and a spark might ignite them and possibly cause personal injuries.

◆ **WARNING** : Verify the fuel system, if any leak is found, do not start the engine and wipe off any fuel leakage. Failure to correct a leak could lead to an explosion. Do not use electric powered tools on snowmobile unless system has passed a leakage test.

Remove the seat. Disconnect the connector housing between the fuel tank and the seat.

◆ **WARNING** : Fuel is flammable and explosive under certain conditions. Always manipulate in a well ventilated area. Do not smoke or allow open flames or sparks in the vicinity.

Close fuel shut-off valve (if equipped). Squeeze fuel supply line with hose pincher then unplug fuel line from valve.

### S Series Models

Drain the fuel tank completely.

Remove the tank from the vehicle.

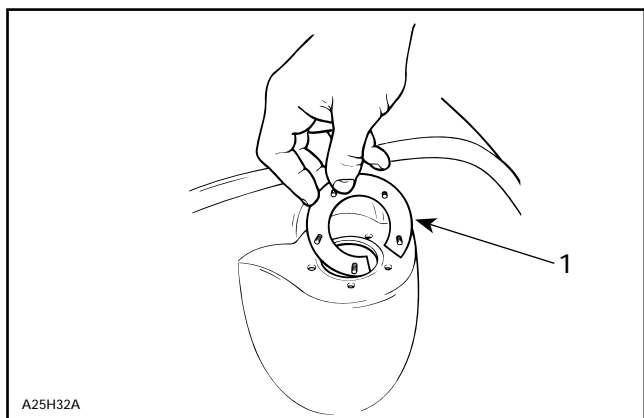
Using a 42 mm (1-21/32 in) hole saw cut the tank sender hole **using the dot as center guide**.

○ **NOTE** : Put a small dab of grease on the drill bit to minimize the quantity of particles from falling in to the fuel tank.

Using a 4.2 mm (11/64 in) drill bit, drill the 5 sender retaining screw holes using dots as a center guide.

Thoroughly clean the fuel tank.

Install the float support **no. 16**, gasket and sender unit **no. 10**.



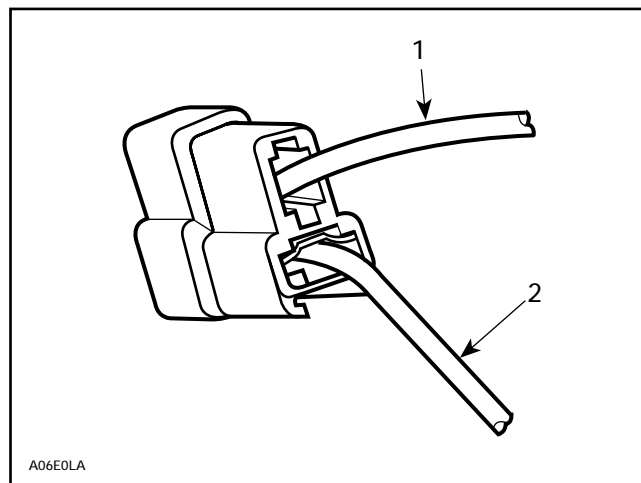
1. Float support

Secure with flanged nuts **no. 11** (M4), initially torque to 1 N•m (8 lbf•in) then finalize torque in criss-cross sequence to 2.5 N•m (22 lbf•in).

Replace the fuel tank cap with the one supplied **no. 12**.

Install tab **no. 7** on the wires from the sender unit.

Install tabs in the connector **no. 8** as per following illustration.



1. BLUE  
2. YELLOW/BLACK

Ensure that wire colors of the sender unit match those of the vehicle harness.

SENDER WIRES	VEHICLE WIRES
1.BLUE	BLUE
2.YELLOW / BLACK	YELLOW / BLACK

Properly reinstall the fuel tank. Connect sender harness. Do not reinstall seat yet.

◆ **WARNING** : Reverify the fuel system, if any leak is found, do not start the engine and wipe off any fuel leakage. Failure to correct a leak could lead to an explosion.

### F Series Models

Remove the steering padding.

To lift the tank cover, drill rivets near the foot rests and remove the 2 nuts in the back of the tank cover.

Remove the tank from vehicle.

Drain the fuel tank completely.

Using a 42 mm (1-21/32 in) hole saw, cut the tank sender hole in the center of the studs.

○ **NOTE** : Put a small dab of grease on the drill bit to minimize the quantity of particles from falling in to the fuel tank.

Thoroughly clean the fuel tank.

Install the gasket and sender unit **no. 10**.

Secure with flanged nuts **no. 14** (M5), initially torque to 1 N•m (8 lbf•in) then finalize torquing in a criss-cross sequence to 2.5 N•m (22 lbf•in).

Replace the fuel tank cap with the one supplied **no. 12**.

Install tab **no. 7** on the wires from the sender unit.

Install tabs in the connector **no. 8** as per illustration. See illustration and table in the instructions for S Series models.

Properly reinstall the fuel tank then the fuel tank cover with new rivets (not included). Connect sender harness. Reinstall the steering padding. Do not reinstall the seat yet.

## Electric Fuel Gauge

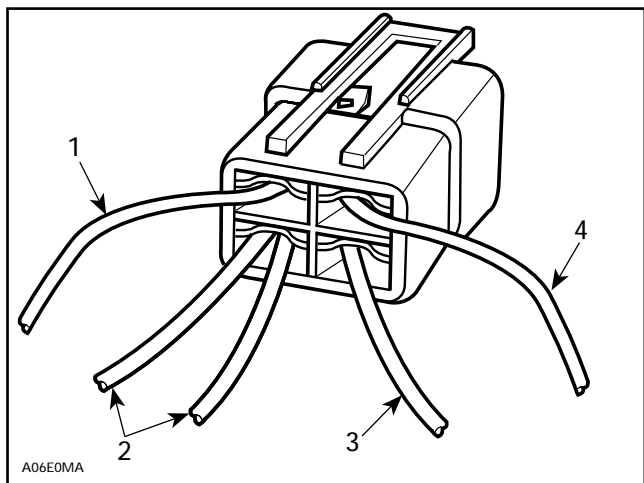
### *S and F Series Models*

Remove the windshield (F Series only).

Position template (found on the last page of this document) on the center of the RH side of the dashboard, cut a 63.5 mm (2.5 in) hole.

▼ **CAUTION** : Ensure there are no wires behind the dashboard that might be damaged.

Install tab connector **no. 7** on gauge wires and position in housing **no. 9** as per following illustration.



1. RED/YELLOW
2. YELLOW/BLACK
3. YELLOW
4. BLUE

Ensure that gauge wires correspond to vehicle wires as per following table.

GAUGE HARNESS	VEHICLE HARNESS
1. RED / YELLOW	YELLOW AND YELLOW
2. YELLOW / BLACK KANDYELLOW / BLACK	YELLOW / BLACK
3. YELLOW	YELLOW
4. BLUE	BLUE

Properly install electric fuel gauge **no. 1** in dashboard.

Connect housings.

Install the gauge packing **no. 3**, formed washer **no. 13** and gauge holder **no. 2** with flat washers **no. 4**, lock washers **no. 5** then nuts **no. 6**. Secure wire harness with a tie rap **no. 15**.

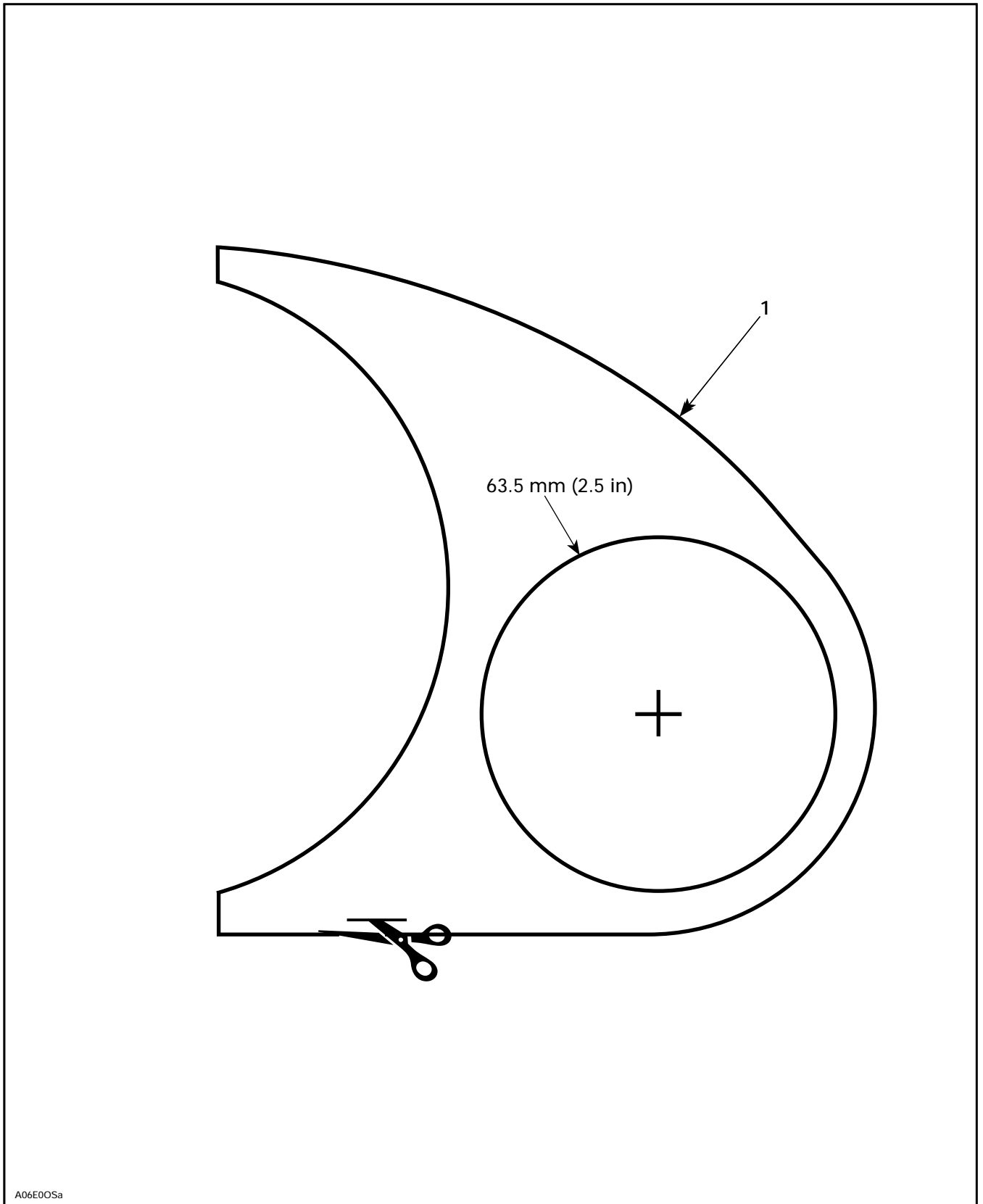
Reinstall the windshield (F Series only).

Test gauge operation with fuel tank empty and full. Ensure there is no fuel leak at the sender.

Connect seat harness and reinstall seat.

# DRILLING TEMPLATE

Use this template to position drill hole for gauge in dashboard.



A06E00Sa

1. Position over dashboard decal

## 861 7495 00

1.	414 8063 00	Fuel Gauge	Indicateur de niveau de carburant
2.	414 8066 00	Gauge Holder	Support d'indicateur
3.	414 8072 00	Gauge Packing	Joint torique
4.	391 3017 00	Washer 7/32 (2)	Rondelle 7/32 (2)
5.	414 8337 00	Lock Washer (2)	Rondelle-frein (2)
6.	414 8336 00	Nut (2)	Écrou (2)
7.	561 5034 00	Tab (6)	Raccord (6)
8.	409 2093 00	2-Tab Housing	Logement de raccords à 2 circuits
9.	409 2045 00	4-Tab Housing	Logement de raccords à 4 circuits
10.	410 1084 00	Fuel Sensor	Sonde de niveau de carburant
11.	228 7410 45	Flanged Nut M4 (5), S Series	Écrou à épaulement M4 (5), série S
12.	572 0396 00	Fuel Tank Cap	Bouchon du réservoir de carburant
13.	517 2586 00	Formed Washer	Rondelle
14.	228 7510 45	Flanged Nut M5 (5), F Series	Écrou à épaulement M5 (5), série F
15.	414 1152 00	Tie Rap	Attache
16.	513 0325 00	Float Support, S Series	Support du flotteur, série S