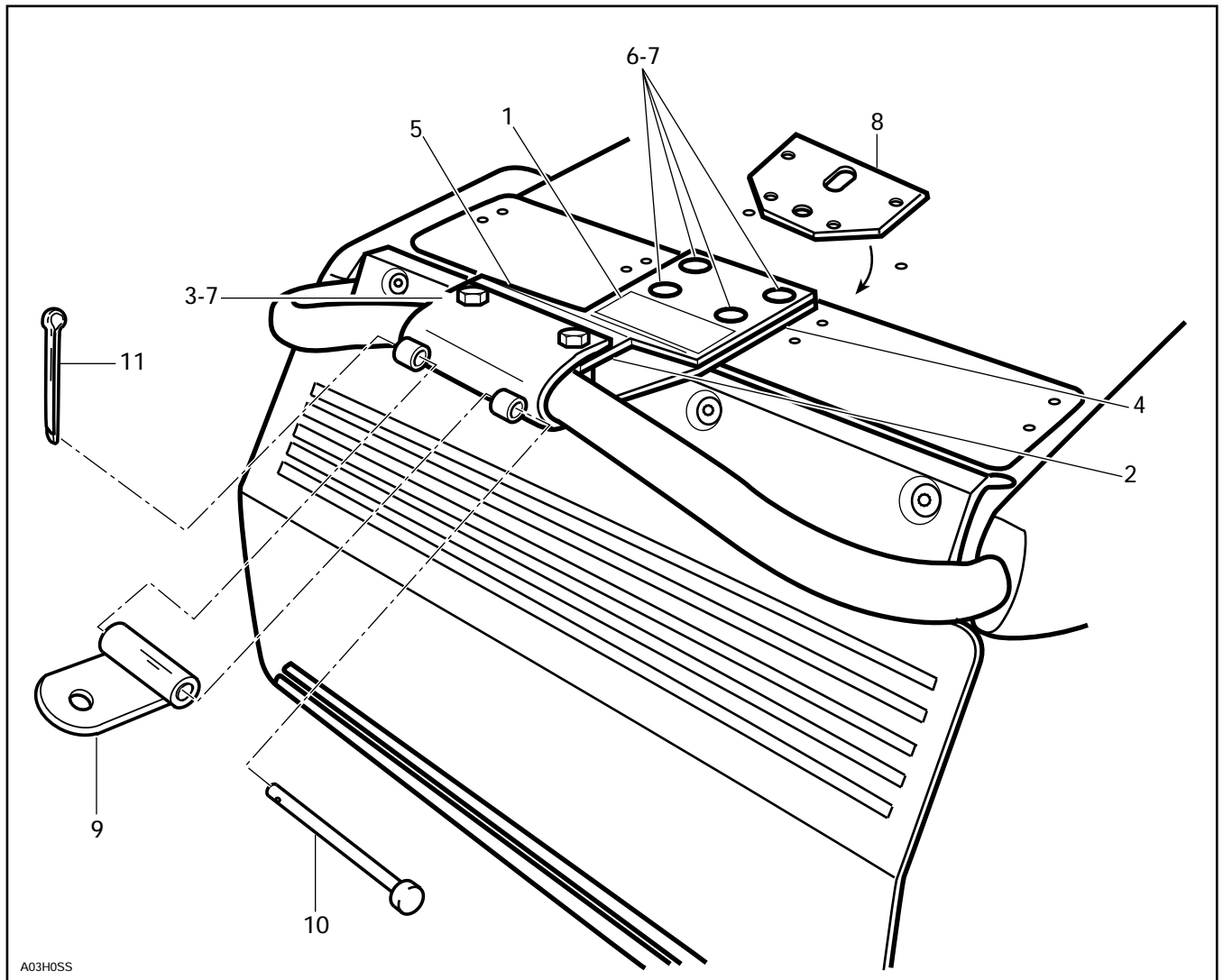




◆ **WARNING :** For safety reasons, this kit must be installed by an authorized Bombardier snowmobile dealer. Should removal of a locking device be required when undergoing disassembly / assembly, always replace with a new one. This instruction sheet should be given to the purchaser. This kit is designed for specific applicable models only. It is not recommended for vehicles other than those for which it was sold.

○ **NOTE :** Installation time is approximately 0.5 hour.

PARTS TO BE INSTALLED



A03H0SS

1. Label
2. Spacer (2)
3. Screw M6 x 45 (2)
4. Weld Support
5. Reinforcement
6. Carriage Bolt M6 x 25 (4)

7. Nut M6 (6)
8. Inner Plate
9. Hitch Plate
10. Clevis Pin
11. Cotter Pin

PROCEDURE

Remove seat (when applies).

Using the 4 pre-drilled holes in the end cap as a guide, drill through the tunnel using a 6.5 mm (1/4 in) drill bit. See illustration.

A03HOT (perdu)

▼ **CAUTION** : Care must be taken to only drill in designated areas. Damage to the heat exchangers could occur if drilling outside this area.

Install inner plate **no. 8**, weld support **no. 4**, reinforcement **no. 5** then install carriage bolts **no. 6** and nuts **no. 7**.

Fasten weld support and reinforcement with spacers **no. 2**, bolts **no. 3** and nuts **no. 7**.

Insert hitch plate **no. 9** into hitch bracket, slide in clevis pin **no. 10** and secure with cotter pin **no. 11**.

○ **NOTE** : Make sure hitch plate **no. 9** swings freely on hitch bracket.

Affix warning label **no. 1** to reinforcement **no. 5**.

○ **NOTE** : A hook-type hitch kit (P/N 861 7225 00) is available for converting the present kit.

861 7529 00

1.	414 1329 00	Label	Étiquette
2.	517 1917 00	Spacer (2)	Entretoise (2)
3.	222 0645 65	Screw M6 X 45 (2)	Vis M6 x 45 (2)
4.	517 2833 00	Weld Support	Support soudé
5.	517 2834 00	Reinforcement	Renfort
6.	222 2625 65	Carriage Bolt M6 x 25 (4)	Boulon de carrosserie M6 x 25 (4)
7.	228 7610 45	Nut M6 (6)	Écrou M6 (6)
8.	517 2561 00	Inner Plate	Plaque intérieur
9.	517 0087 00	Hitch Plate	Plaque d'attelage
10.	505 0017 00	Clevis Pin	Axe de chape
11.	371 8002 00	Cotter Pin	Goupille fendue